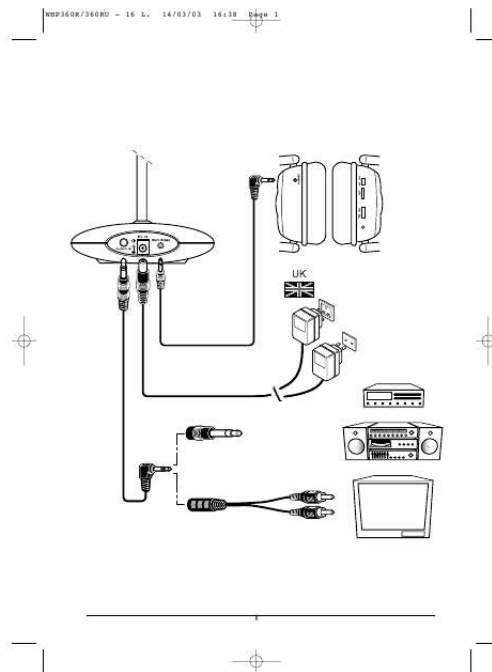




Your PDF Guides

You can read the recommendations in the user guide, the technical guide or the installation guide for THOMSON WHP 360R. You'll find the answers to all your questions on the THOMSON WHP 360R in the user manual (information, specifications, safety advice, size, accessories, etc.). Detailed instructions for use are in the User's Guide.

User manual THOMSON WHP 360R
User guide THOMSON WHP 360R
Operating instructions THOMSON WHP 360R
Instructions for use THOMSON WHP 360R
Instruction manual THOMSON WHP 360R



[You're reading an excerpt. Click here to read official THOMSON WHP 360R user guide](http://yourpdfguides.com/dref/1304747)
<http://yourpdfguides.com/dref/1304747>

Manual abstract:

@@ â First use: let the batteries get completely empty (until the headphones do no longer work), before you recharge them again. The second and following recharging operations will take 10 hours. Put the headphones into operation 7. While listening, adjust reception with the TUNE knob (fine tuning) 0 to obtain a proper sound (the LED 8 then turns into green). then adjust the headphones volume 9 to a suitable level. @@@@ @@@@ Before you dispose of batteries or accumulators, ask your dealer Whether they are subject to special recycling and if he accepts to take them back. @@.



[You're reading an excerpt. Click here to read official THOMSON](#)

[WHP 360R user guide](#)

<http://yourpdfguides.com/dref/1304747>