



Your PDF Guides

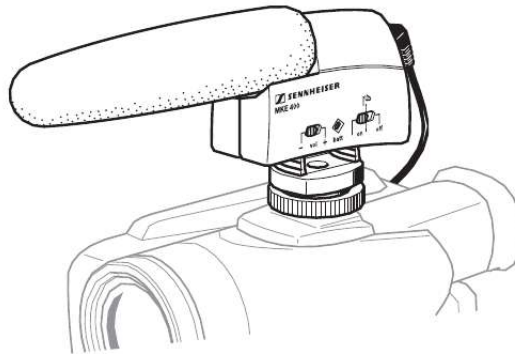
You can read the recommendations in the user guide, the technical guide or the installation guide for SENNHEISER MKE 400. You'll find the answers to all your questions on the SENNHEISER MKE 400 in the user manual (information, specifications, safety advice, size, accessories, etc.). Detailed instructions for use are in the User's Guide.

User manual SENNHEISER MKE 400
User guide SENNHEISER MKE 400
Operating instructions SENNHEISER MKE 400
Instructions for use SENNHEISER MKE 400
Instruction manual SENNHEISER MKE 400

 **SENNHEISER**

MKE 400

Bedienungsanleitung
Instructions for use
Notice d'emploi
Istruzioni per l'uso
Instrucciones de uso
Gebruiksaanwijzing



[You're reading an excerpt. Click here to read official SENNHEISER MKE 400 user guide](http://yourpdfguides.com/dref/3706579)
<http://yourpdfguides.com/dref/3706579>

Manual abstract:

5 mm stereo jack plug) 1 AAA size battery 1 foam windshield 1 · · 3 » ; ¶ 2 ´ Inserting/replacing the battery If the battery voltage is sufficient, the "batt" LED » flashes briefly when you switch on the microphone. A new, unused battery has an operating time of approx. 300 hours. When the battery voltage decreases, the "batt" LED » lights up permanently. You should replace the battery. When the "batt" LED » lights up permanently for the first time, the remaining operating time is approx. 50 hours. Note: When not using the microphone for extended periods of time, remove the battery from the battery compartment! To insert or replace the battery: Push the catch of the battery compartment ¶ in the direction of the flashmount adapter and open the battery compartment. Insert the AAA size battery as shown in the diagram on the right. Observe correct polarity when inserting the battery.

@@@ @@@ @@@ @@@ @@@ @@@ @@@ @@@ @@@ @@@ @@@ 130 x 21 x 62 mm 1.5 V AAA size battery approx. 300 hours length: approx. 200 mm diameter: 2.3 mm with 3.

5 mm stereo jack plug Recommended accessory Professional accessory kit MZW 400 including hairy cover and 3-pin XLR adapter 4 Manufacturer declarations Warranty 2 years Approval Sennheiser electronic GmbH & Co. KG declare that this device is in compliance with the applicable CE standards and regulations. Batteries or rechargeable batteries Please dispose of batteries or rechargeable batteries as special waste or return them to your specialist dealer. WEEE Declaration Please dispose of this product at the end of its operational lifetime by bringing it to your local collection point or recycling centre for such equipment. 5 Frequenzkurve und Richtdiagramm Frequency response and polar pattern Réponse en fréquence et diagramme de la directivité Risposta in frequenza e diagramma polare Respuesta en frecuencia y diagrama de la directividad Frequentie-ingangen en Pooldiagramm dBv - 20 - 30 - 40 - 50 - 60 - 70 20 50 100 200 500 1000 2000 5000 10000 20000 Hz Low Cut Filter 30° 0° 0 5 30° 60° 10 15 20 25 60° 90° dB 90° 120° 120° 125 1000 Hz 150° 180° 150° 2000 4000 8000 16000 Hz Hz Hz Hz 1 Sennheiser electronic GmbH & Co.

@ @06/07 516599/A2 .



[You're reading an excerpt. Click here to read official SENNHEISER](http://yourpdfguides.com/dref/3706579)

[MKE 400 user guide](http://yourpdfguides.com/dref/3706579)

<http://yourpdfguides.com/dref/3706579>