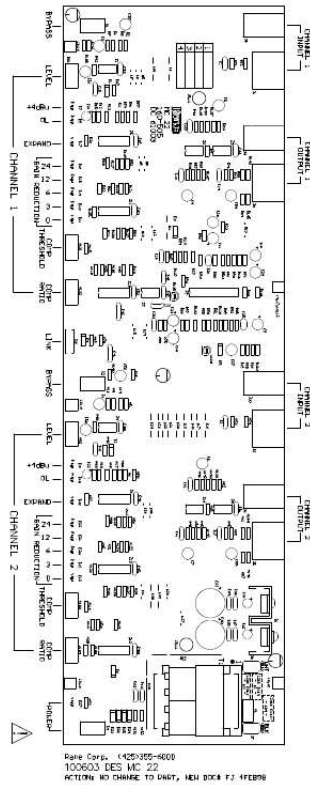




# Your PDF Guides

You can read the recommendations in the user guide, the technical guide or the installation guide for RANE MC 22. You'll find the answers to all your questions on the RANE MC 22 in the user manual (information, specifications, safety advice, size, accessories, etc.). Detailed instructions for use are in the User's Guide.

**User manual RANE MC 22**  
**User guide RANE MC 22**  
**Operating instructions RANE MC 22**  
**Instructions for use RANE MC 22**  
**Instruction manual RANE MC 22**



[You're reading an excerpt. Click here to read official RANE MC 22 user guide](http://yourpdfguides.com/dref/3395377)  
<http://yourpdfguides.com/dref/3395377>

**Manual abstract:**

6 22/25 R136 20K GND -15 J1 XLR FEM 3 2 + - C56 22/25 R135 20K W1 .6 20K R147 6.81K GND R57 20K GND R39 GND 1 1 IN 1 OUT TL072  
COMPRESSOR TO SHEET 2 W4 C57 COMPRESSOR IN/OUT S1A 2P2T +15 3 2 8 R2 2 Z1A R8 Z2A 1 TL072 C4 22/25 R59 100 R64 100K 8 1K R81  
LEVEL 100KB DET -15dB 7 22/25 20K GND -15 C3 R42 9.09K 10K + 2 -3 4 1 J3 XLR MALE -15 C13 R38 47pF 20K R63 10K C14 +15 47pF C1 330pF 6  
TL072 R71 1K 13 9.09K 10K R77 10K -5V 12 R3 3.74K 9 -1V R65 100K R79 1K GND + Z1B 4 5 GND GND 6 5 GND Z3B 7 TL072 GND J4 PHONO  
CHANNEL 1 OUT R1 R7 CHANNEL 1 IN GND J9 PHONO D1 R10 10K C21 1/35 GND GND 5817 GND 10 Z5D 14 TL074 R12 10K R 2 -15 OL D7 20K 3  
GND 8 1 D9 R41 Z3A 1 TL072 C54 22/25 R143 100 R145 100K Z5C 8 TL074 R11 10K G 4 -15 -15 +4dBu R9 20K R148 20K GND R40 20K GND 47pF  
R139 20K GND 5 6 Z2B 7 TL072 C60 C5 22/25 R60 100 R137 100K GND C18 R43 R74 1K 10K GND 9.09K R5 R14 R82 LEVEL 100KB DET -15dB 2  
+15dB 3 C2 330pF 6 Z4B 7 TL072 5 C6 22/25 R48 20K GND 20K 47pF +15 C58 22/25 R140 20K GND COMPRESSOR IN/OUT W17 S2A 2P2T W24 Z4A 1  
.6 2 IN COMPRESSOR TO SHEET 2 .6 R45 20K R149 6.81K 3 2 +15 TL072 8 Z14A 1 C7 R61 8 22/25 C59 2 OUT TL072 22/25 -15 R141 20K GND -15 C16  
100 R67 100K + 2 -3 4 1 J5 XLR MALE 4 R58 20K GND -15 GND R44 20K R66 10K 47pF GND GND J6 PHONO 6 C17 5 Z8B 7 TL072 GND CHANNEL 2  
OUT J2 XLR FEM 3 2 + - R73 1K 9.  
09K R4 R13 10K R78 10K 13 -5V 12 D2 5817 R6 3.74K R16 10K C22 1/35 -1V R68 100K GND GND + +15 47pF 14 R18 TL074 10K Z6D R D10 -15 OL 9  
10 R80 1K GND R46 20K GND COMPRESSOR 100456-2.SCH POWER 100456-3.SCH R142 20K ACTION: GND R47 20K 2 3 GND Z6C 8 R17 TL074 10K  
G D8 -15 +4dBu 20K R150 20K GND 47pF GND R15 1 8 Z8A 1 TL072 C55 22/25 R144 100 R146 100K J10 PHONO GND 4 -15 5 6 Z14B 7 TL072 C61 C8  
22/25 CHANNEL 2 IN GND GND R62 100 R138 100K NOTES (UNLESS OTHERWISE SPECIFIED): 1. ALL RESISTORS 1/4W 1% METAL FILM 2.

@@@@@.



[You're reading an excerpt. Click here to read official RANE MC 22 user guide](http://yourpdfguides.com/dref/3395377)

<http://yourpdfguides.com/dref/3395377>