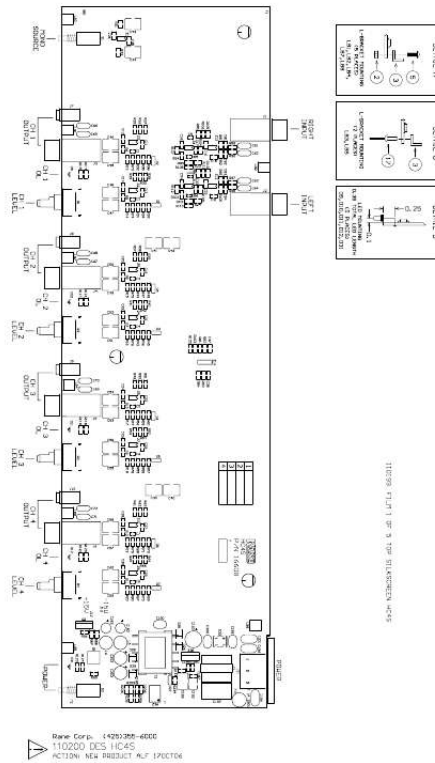




Your PDF Guides

You can read the recommendations in the user guide, the technical guide or the installation guide for RANE HC4S. You'll find the answers to all your questions on the RANE HC4S in the user manual (information, specifications, safety advice, size, accessories, etc.). Detailed instructions for use are in the User's Guide.

User manual RANE HC4S
User guide RANE HC4S
Operating instructions RANE HC4S
Instructions for use RANE HC4S
Instruction manual RANE HC4S



[You're reading an excerpt. Click here to read official RANE HC4S user guide](http://yourpdfguides.com/dref/3395354)
<http://yourpdfguides.com/dref/3395354>

