



# Your PDF Guides

You can read the recommendations in the user guide, the technical guide or the installation guide for MITSUBISHI MONTERO. You'll find the answers to all your questions on the MITSUBISHI MONTERO in the user manual (information, specifications, safety advice, size, accessories, etc.). Detailed instructions for use are in the User's Guide.

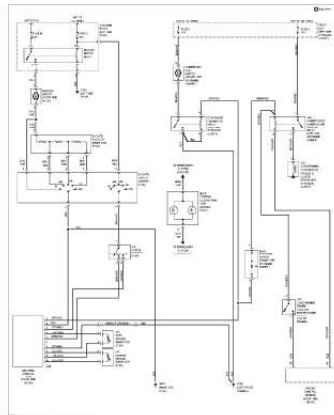
**User manual MITSUBISHI MONTERO**  
**User guide MITSUBISHI MONTERO**  
**Operating instructions MITSUBISHI MONTERO**  
**Instructions for use MITSUBISHI MONTERO**  
**Instruction manual MITSUBISHI MONTERO**

**SYSTEM WIRING DIAGRAMS**  
**Article Text**  
1994 Mitsubishi Montero  
For  
Copyright © 1998 Mitchell International  
Thursday, October 07, 1999 11:07AM

**ARTICLE BEGINNING**

1994 System Wiring Diagrams  
Mitsubishi - Montero

**AIR CONDITIONING**



Air Conditioning Circuits



[You're reading an excerpt. Click here to read official MITSUBISHI MONTERO user guide](http://yourpdfguides.com/dref/3003430)  
<http://yourpdfguides.com/dref/3003430>

**Manual abstract:**

2) 1994 Mitsubishi Montero For Copyright © 1998 Mitchell International Thursday, October 07, 1999 11:07AM Heater Circuit ANTI-LOCK BRAKES SYSTEM WIRING DIAGRAMS Article Text (p. 3) 1994 Mitsubishi Montero For Copyright © 1998 Mitchell International Thursday, October 07, 1999 11:07AM Anti-lock Brake Circuits COMPUTER DATA LINES SYSTEM WIRING DIAGRAMS Article Text (p. @@@@7) 1994 Mitsubishi Montero For Copyright © 1998 Mitchell International Thursday, October 07, 1999 11:07AM Electronic Suspension Circuit ENGINE PERFORMANCE 3.0L SYSTEM WIRING DIAGRAMS Article Text (p. 8) 1994 Mitsubishi Montero For Copyright © 1998 Mitchell International Thursday, October 07, 1999 11:07AM 3.0L, Engine Performance Circuits (1 of 2) SYSTEM WIRING DIAGRAMS Article Text (p. 9) 1994 Mitsubishi Montero For Copyright © 1998 Mitchell International Thursday, October 07, 1999 11:07AM 3.0L, Engine Performance Circuits (2 of 2) 3.5L SYSTEM WIRING DIAGRAMS Article Text (p. 10) 1994 Mitsubishi Montero For Copyright © 1998 Mitchell International Thursday, October 07, 1999 11:07AM 3.5L, Engine Performance Circuits (1 of 2) SYSTEM WIRING DIAGRAMS Article Text (p. 11) 1994 Mitsubishi Montero For Copyright © 1998 Mitchell International Thursday, October 07, 1999 11:07AM 3.5L, Engine Performance Circuits (2 of 2) EXTERIOR LIGHTS SYSTEM WIRING DIAGRAMS Article Text (p. 12) 1994 Mitsubishi Montero For Copyright © 1998 Mitchell International Thursday, October 07, 1999 11:07AM Exterior Light Circuit (1 of 2) SYSTEM WIRING DIAGRAMS Article Text (p. 13) 1994 Mitsubishi Montero For Copyright © 1998 Mitchell International Thursday, October 07, 1999 11:07AM Exterior Light Circuit (2 of 2) GROUND DISTRIBUTION SYSTEM WIRING DIAGRAMS Article Text (p. 14) 1994 Mitsubishi Montero For Copyright © 1998 Mitchell International Thursday, October 07, 1999 11:07AM Ground Distribution Circuit (1 of 4) SYSTEM WIRING DIAGRAMS Article Text (p. 15) 1994 Mitsubishi Montero For Copyright © 1998 Mitchell International Thursday, October 07, 1999 11:07AM Ground Distribution Circuit (2 of 4) SYSTEM WIRING DIAGRAMS Article Text (p. 16) 1994 Mitsubishi Montero For Copyright © 1998 Mitchell International Thursday, October 07, 1999 11:07AM Ground Distribution Circuit (3 of 4) SYSTEM WIRING DIAGRAMS Article Text (p. 17) 1994 Mitsubishi Montero For Copyright © 1998 Mitchell International Thursday, October 07, 1999 11:07AM Ground Distribution Circuit (4 of 4) HEADLIGHTS SYSTEM WIRING DIAGRAMS Article Text (p. @@@@36) 1994 Mitsubishi Montero For Copyright © 1998 Mitchell International Thursday, October 07, 1999 11:07AM Power Top/Sunroof Circuits POWER WINDOWS SYSTEM WIRING DIAGRAMS Article Text (p. 37) 1994 Mitsubishi Montero For Copyright © 1998 Mitchell International Thursday, October 07, 1999 11:07AM Power Window Circuit STARTING/CHARGING SYSTEM WIRING DIAGRAMS Article Text (p. 38) 1994 Mitsubishi Montero For Copyright © 1998 Mitchell International Thursday, October 07, 1999 11:07AM Charging Circuit SYSTEM WIRING DIAGRAMS Article Text (p. 39) 1994 Mitsubishi Montero For Copyright © 1998 Mitchell International Thursday, October 07, 1999 11:07AM Starting Circuit SUPPLEMENTAL RESTRAINTS SYSTEM WIRING DIAGRAMS Article Text (p. 40) 1994 Mitsubishi Montero For Copyright © 1998 Mitchell International Thursday, October 07, 1999 11:07AM Supplemental Restraint Circuit TRANSMISSION 3.0L SYSTEM WIRING DIAGRAMS Article Text (p. 41) 1994 Mitsubishi Montero For Copyright © 1998 Mitchell International Thursday, October 07, 1999 11:07AM 3.0L, Active Trac 4WD Circuit SYSTEM WIRING DIAGRAMS Article Text (p. 42) 1994 Mitsubishi Montero For Copyright © 1998 Mitchell International Thursday, October 07, 1999 11:07AM 3.0L, Rear Differential Lock Circuit SYSTEM WIRING DIAGRAMS Article Text (p. 43) 1994 Mitsubishi Montero For Copyright © 1998 Mitchell International Thursday, October 07, 1999 11:07AM 3.0L, Transmission Circuit 3.5L SYSTEM WIRING DIAGRAMS Article Text (p. 44) 1994 Mitsubishi Montero For Copyright © 1998 Mitchell International Thursday, October 07, 1999 11:07AM 3.5L, Active Trac 4WD Circuit SYSTEM WIRING DIAGRAMS Article Text (p. @@@@48) 1994 Mitsubishi Montero For Copyright © 1998 Mitchell International Thursday, October 07, 1999 11:07AM Front Wiper/Washer Circuit Headlamp Washer Circuit SYSTEM WIRING DIAGRAMS Article Text (p. 49) 1994 Mitsubishi Montero For Copyright © 1998 Mitchell International Thursday, October 07, 1999 11:07AM Wiper/Washer Circuit END OF ARTICLE .



[You're reading an excerpt. Click here to read official MITSUBISHI MONTERO user guide](http://yourpdfguides.com/dref/3003430)

<http://yourpdfguides.com/dref/3003430>