



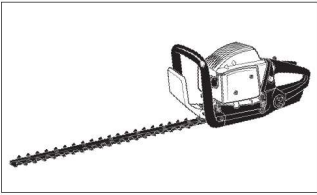
Your PDF Guides

You can read the recommendations in the user guide, the technical guide or the installation guide for MCCULLOCH VIRGINIA MH 555. You'll find the answers to all your questions on the MCCULLOCH VIRGINIA MH 555 in the user manual (information, specifications, safety advice, size, accessories, etc.). Detailed instructions for use are in the User's Guide.

User manual MCCULLOCH VIRGINIA MH 555
User guide MCCULLOCH VIRGINIA MH 555
Operating instructions MCCULLOCH VIRGINIA MH 555
Instructions for use MCCULLOCH VIRGINIA MH 555
Instruction manual MCCULLOCH VIRGINIA MH 555

MCCULLOCH VIRGINIA
MH542 P - MH555 P/25cc

Electrolux



INSTRUCTION MANUAL
BRUGERHÅNDBOG
MANUAL DE INSTRUCCIONES
MANUEL D'INSTRUCTIONS
LIBROTTA D'ISTRUZIONI
EVSZAKOSMÁSUTASÍTÓ

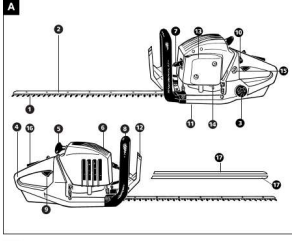
GB INSTRUCTION MANUAL
DK BRUGERHÅNDBOG
ES MANUAL DE INSTRUCCIONES
FR MANUEL D'INSTRUCTIONS
IT LIBROTTA D'ISTRUZIONI
PT MANUAL DO OPERADOR
SE BRUKSANVISNING

Electrolux Outdoor Products
Via Coppi 12
33086 Montebelluna (TV) Italy
Phone +39 0431 801111 Fax +39 0431 801671

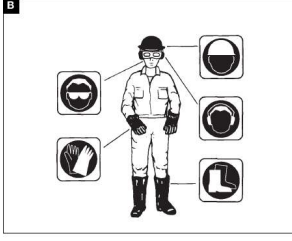
The Electrolux Group. The world's No 1 choice.

PN 248030 REV.02 (11/02)

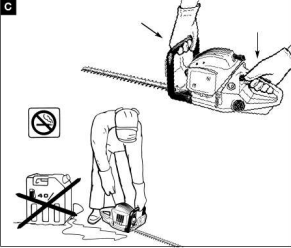
A



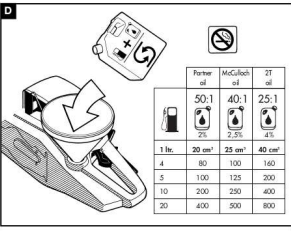
B



C



D



Partnr.	MCCulloch	2T
of	of	of
50:1	40:1	25:1
2l	2.5l	4l
1 lit	20 cm ³	25 cm ³
4	80	100
5	100	125
10	200	250
20	400	500



[You're reading an excerpt. Click here to read official MCCULLOCH VIRGINIA MH 555 user guide](http://yourpdfguides.com/dref/933080)
<http://yourpdfguides.com/dref/933080>

Allekirjoittanut, E.O.

P.I. in valtuuttamana, vakuuttaa että seuraavat tuotteet: Virginia MH 542P - 555P, ja jotka on valmistanut E.O.P.I., Valmadrera, Italia, ovat Euroopan direktiivien 98/37/EEC (Koneisto-direktiivi), 93/68/CEE (CE Merkintä-direktiivi) & 89/336/CEE (Elektromagneettinen Yhteensopivuus-direktiivi) mukainen, direktiivi 2000/14/CEE (Liite V). SE EG-försäkran om överensstämelse Undertecknad, auktoriserad av E.O.P.

I., försäkrar att följande produkter: Virginia MH 542P - 555P, tillverkade av E.O.P.I., Valmadrera, Italia, är i överensstämelse med följande europeiska direktiv 98/37/EEC (Maskindirektiv), 93/68/CEE (CE-märknings-direktiv) & 89/336/CEE (Elektromagnetisk kompatibilitet), direktiv 2000/14/CEE (Annex V). Valmadrera, 15.12.01 Pino Todero (Direttore Tecnico) E.O.

P.I. A. General description 1) 2) 3) 4) 5) 6) 7) 8) 9) Trimmer blades Blade guides Fuel tank cap Rear handle Starter handle Muffler shield/top cover Spark plug boot/spark plug Front handle Throttle trigger 10) 11) 12) 13) 14) 15) 16) 17) Ignition switch Gear box assembly Front hand guard Air cleaner cover Choke lever Primer bulb Safety trigger Blade sheaths Safety precautions If not used properly this Hedgetrimmer can be dangerous.
@@@@@@@@@ · Wear close-fitting protective clothes.

Wear safety shoes, gloves, goggles and ear protectors. Ensure you know how to stop the engine in an emergency. Start the engine according to these instructions. @@@@ @@@@ If any of the symptoms appear, seek immediate medical advice. @@@@ @@@@ If necessary use warning signs to keep onlookers at a safe distance.

@@ When transporting or storing the machine always fit the blade sheath Never allow children to use this machine or animals in the immediate vicinity. @@@@ @@@@ @@@@ Wait until blades stop moving. Before resuming trimming, check that your stance is correct. Always be sure of your footing. Do not overreach. · Do not use hedgetrimmer while standing on a ladder or other unstable surfaces. If trimming tall hedges or bushes, use scaffolding which is stable and secure. · Do not operate the machine if the blades are damaged or excessively worn. · To reduce any fire hazard keep the engine and muffler free of debris, leaves or excessive lubricant. Trimming Procedures WARNING: Wear heavy duty gloves when operating this unit.

There are two trimming procedures: Horizontal A and Vertical B. · The horizontal trimming position is used to cut the top of bushes, shrubs or hedges. Always trim from right to left. Do not use hedgetrimmer above chest height. · The vertical trimming procedure is used to cut the sides of bushes, shrubs and hedges. Always cut from bottom to top. 1 Place right hand on rear handle assembly and left hand on the front handle. 2 Trim area to be cut whilst squeezing throttle trigger to maximum extent. When finished release throttle trigger. Allow engine to return to idle position.

Blade action should stop. Move to next section to be cut. 3 After moving to the next section, make sure you are standing on firm ground, squeeze trigger to full extent and resume trimming. ENGLISH - 3 G. @@@@ @@@@ @@@@ Precise numerical engine speed settings are mentioned in the technical detail chart in the front of the operator's manual.

Warranty may be invalidated from incorrect carburettor adjustment made by persons other than an authorised dealer. H. Regular maintenance Every 10 work hours 1 Air filter cleaning Never operate hedgetrimmer without the air filter, this will damage the engine. · Remove the 2 air cleaner cover screws. · Take off the air cleaner cover and remove air filter from the back of the cover.

· Clean air filter in warm soapy water. DO NOT USE PETROL. · Allow filter to dry. · Re-install filter. Note: replace filter if torn or damaged. 2 Remove spark plug · Clean and adjust electrodes setting. Every 50 work hours 3 Change spark plug Long storage · Empty fuel tank and run engine dry. Technical data Displacement (cc) Bore Stroke (mm) Engine output in hp/kW Engine speed at max power Fuel tank capacity (cc) Weight (Kg) Sound pressure level (at the operator's ear) LpAav (dBA) (ISO7917) Guaranteed noise level LwAav (dBA) (ISO 10884) Measured sound power level LwAav (dBA) (ISO 10884) Vibration levels recorded at the operators hand position idle/racing 25 35 26 0.9/0.7 8,000 - 9,000 370 4.

5/4.8 83/100dB(A) 108 106 4/8 m/s² ENGLISH - 4 Fault finding Engine will not start · Check stop switch is in the correct position · Check fuel level Engine will not start or runs badly · Check air filter is clean · Remove sparkplug - dry, clean and adjust, and replace if necessary · Have carburettor adjusted Engine runs fast but loses power when working · Have carburettor adjusted · Change fuel filter · Contact your dealer Engine still gives trouble · Contact your dealer Note: Do not attempt to repair your machine unless you are qualified to do so. ENGLISH - 5 .



[You're reading an excerpt. Click here to read official MCCULLOCH VIRGINIA MH 555 user guide](http://yourpdfguides.com/dref/933080)
<http://yourpdfguides.com/dref/933080>