



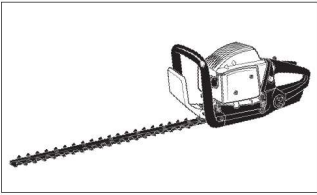
Your PDF Guides

You can read the recommendations in the user guide, the technical guide or the installation guide for MCCULLOCH VIRGINIA MH 542. You'll find the answers to all your questions on the MCCULLOCH VIRGINIA MH 542 in the user manual (information, specifications, safety advice, size, accessories, etc.). Detailed instructions for use are in the User's Guide.

User manual MCCULLOCH VIRGINIA MH 542
User guide MCCULLOCH VIRGINIA MH 542
Operating instructions MCCULLOCH VIRGINIA MH 542
Instructions for use MCCULLOCH VIRGINIA MH 542
Instruction manual MCCULLOCH VIRGINIA MH 542

MCCULLOCH **VIRGINIA**
MH542 P - MH555 P/25cc

Electrolux



INSTRUCTION MANUAL
L'istruzioni per l'uso, le avvertenze e le precauzioni sono indicate nel manuale utente. Leggere attentamente il manuale utente prima di usare il prodotto.

BETRIEBSANWEISUNG
Die Bedienungsanleitung enthält wichtige Informationen über die Verwendung des Geräts. Bitte lesen Sie die Bedienungsanleitung sorgfältig durch, bevor Sie das Gerät in Betrieb nehmen.

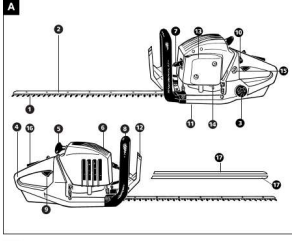
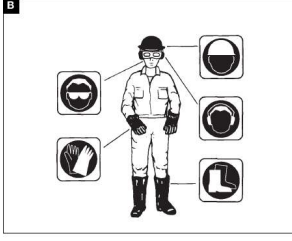

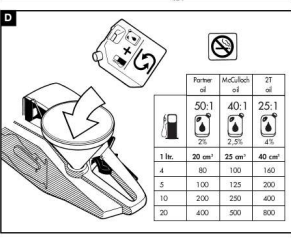
DE
MANUEL D'INSTRUCTIONS
Le manuel d'instructions contient des informations importantes sur l'utilisation et la sécurité de l'appareil. Lire attentivement le manuel d'instructions avant d'utiliser l'appareil.

FR
MANUAL DE INSTRUCCIONES
Este manual de instrucciones contiene información importante sobre el uso y la seguridad del equipo. Lea atentamente este manual de instrucciones antes de utilizar el equipo.

ES
LIBROTTA D'ISTRUZIONI
Il librotti d'istruzioni contiene informazioni importanti sull'uso e sulla sicurezza dell'apparecchio. Leggere attentamente il librotti d'istruzioni prima di utilizzare l'apparecchio.

IT
BRUKSANVISNING
Användningsanvisningen innehåller viktig information om användning och säkerhet. Läs användningsanvisningen noggrant innan du använder utrustningen.

SE

BRUKERHÅNDBOG
Brukerveiledningen inneholder viktig informasjon om bruk og sikkerhet. Les brukerveiledningen grundig før du bruker utrustningen og gjennom alle sikkerhetsregler.

ES
MANUAL DE INSTRUCCIONES
Este manual de instrucciones contiene información importante sobre el uso y la seguridad del equipo. Lea atentamente este manual de instrucciones antes de utilizar el equipo.

PT
MANUAL DO OPERADOR
Este manual de instruções contém informações importantes sobre o uso e a segurança do equipamento. Leia atentamente este manual de instruções antes de utilizar o equipamento.

GR

The Electrolux Group. The world's No 1 choice.

The Electrolux Group is the world's largest producer of powered appliances for kitchen, cleaning and outdoor use. More than 65 million Electrolux Group products reach us refrigerators, ovens, washing machines, vacuum cleaners, chain saw and lawn mowers are sold each year to a value of approx. USD 14 billion in more than 150 countries around the world.

PN 248030 REV.02 (11/02)



[You're reading an excerpt. Click here to read official MCCULLOCH VIRGINIA MH 542 user guide](http://yourpdfguides.com/dref/933069)
<http://yourpdfguides.com/dref/933069>

Manual abstract:

Retain these instructions for future reference. DK VIGTIGE OPLYSNINGER: Læs instruktionerne omhyggeligt, før du bruger enheden og gemme til senere henvisning. BETRIEBSANWEISUNG MANUAL DE INSTRUCCIONES DE Electrolux Outdoor Products Via Como 72 23868 Valmadrera (Lecco) ITALIA Phone +39 0341 203111 - Fax +39 0341 581671 Our policy of continuous improvement means that the specification of products may be altered from time to time without prior notice. Electrolux Outdoor Products manufacture products for a number of well known brands under various registered patents, designs and trademarks in several countries. © Electrolux Outdoor Products Italy WICHTIGE INFORMATION: Lesen Sie diese Hinweise zur Handhabung des Geräts aufmerksam durch. Verwenden Sie es erst, wenn Sie sicher sind, daß Sie alle Anweisungen verstanden haben und gut aufbewahren. ES INFORMACIÓN IMPORTANTE: Lea atentamente las instrucciones y asegúrese de entenderlas antes de utilizar esta aparato. Conserve las instrucciones para la referencia en el futuro. Partner oil McCulloch oil 2T oil MANUEL D'INSTRUCTIONS MANUAL DO OPERADOR FR RENSEIGNEMENTS IMPORTANTS: Avant d'utiliser cet appareil, veuillez lire attentivement les instructions et assurez-vous de les avoir comprises. Conservez les instructions pour référence ultérieure.

PT INFORMAÇÕES IMPORTANTES: Queira ler cuidadosamente estas instruções e tenha certeza de entendê-las antes de usar a serra e guarde para consulta futura. 50:1 2% 1 ltr. 4 5 10 20 20 cm3 80 100 200 400 40:1 25:1 2,5% 25 cm3 100 125 250 500 4% 40 cm3 160 200 400 800 HANDLEIDING LIBRETTO D'ISTRUZIONI NL BELANGRIJKE IMPORTANTS: Lees deze handleiding aandachtig en zorg dat u alles begrijpt alvorens de kettingzaag te gebruiken en be-waar ze voor toekomstige raadpleging. IT INFORMAZIONI IMPORTANTI: Leggere le istruzioni attentamente e capirle bene prima di usare il tagliasepi. Conservare per ulteriore consultazione.

The Electrolux Group. The world's No 1 choice. The Electrolux Group is the world's largest producer of powered appliances for kitchen, cleaning and outdoor use. More than 55 million Electrolux Group products (such as refrigerators, cookers, washing machines, vacuum cleaners, chain saws and lawn mowers) are sold each year to a value of approx. @@@@ @@@@ @Jatkuvan tuotteen parannusohjelman tähden valmistaja pidättää oikeuden vaihtaa ilman ennakkovaroitusta tässä ohjekirjasessa mainittuja teknisiä yksityiskohtia.

Tilverkaren reserverar sig rätten att ändra fakta och uppgifter ur handboken utan förvarning. Producenten förbeholder sig ret til ændringer, hvad angår karakteristika og data i nærværende instruktion, når som helst og uden varsel. La firma productora se reserva la posibilidad de cambiar las características y datos del presente manual en cualquier momento y sin previo aviso. A casa productora se reserva a possibilidade de variar características e dados do presente manual em qualquer momento e sen aviso prévio. La casa produttrice si riserva la possibilità di variare caratteristiche e dati del presente manuale in qualunque momento e senza preavviso. μμ , μ μ μ . A EC Declaration of Conformity The undersigned, authorised by E.O.P.I.

, declares that the following products: Virginia MH 542P - 555P, manufactured by E.O.P.I., Valmadrera, Italia, are in accordance with the European Directives 98/37/EEC (Machinery Directive), 93/68/CEE (CE Marking Directive) & 89/336/CEE (Directive on electromagnetic compatibility), directive 2000/14/CEE (Annex V). DE CE Konformitätserklärung Der Unterzeichnete, bevollmächtigt durch E.O.P.I., erklärt, daß folgende Geräte: Virginia MH 542P - 555P, hergestellt durch E.

O.P.I., Valmadrera, Italia, den Europäischen Richtlinien 98/37/EEC (Maschinenrichtlinie), 93/68/CEE (CE Kennzeichnungsrichtlinie) & 89/336/CEE (EMV Richtlinie) entsprechen, richtlinie 2000/14/CEE (Anhang V). FR Déclaration de conformité Européenne Le soussigné, dûment mandaté par E.

O.P.I., déclare que les produits suivants: Virginia MH 542P - 555P, fabriqués par E.O.

P.I., Valmadrera, Italia, sont conformes aux Directives Européennes 98/37/EEC (Directive Sécurité Machine), 93/68/CEE (Directive Marquage CE) & 89/336/CEE (Directive EMC), directive 2000/14/CEE (Annexe V). : EU Overensstemmelseerklæring Undertegnede, bemyndiget af E.O.P.I., erklærer herved, at følgende produkter: Virginia MH 542P - 555P, E.O.P.

I., Valmadrera, Italia, er i overensstemmelse med de europæiske direktiver 98/37/EEC (Maskineri direktiv), 93/68/CEE (CE mærkningsdirektiv) & 89/336/CEE (EMC-direktiv), direktiv 2000/14/CEE (Annex V). ES Declaracion de cumplimiento de la directriz de la UE El abajo firmante, autorizado por E.O.P.I., afirma que los siguientes productos: Virginia MH 542P - 555P, fabricados por E.O.P.I.

, Valmadrera, Italia, cumplen con las directivas Europeas 98/37/EEC (Directiva sobre Maquinaria), 93/68/CEE (Directiva sobre Marcas de la CE) & 89/336/CEE (Directiva sobre Compatibilidad Electro Magnética), directiva 2000/14/CEE (Anexo V). PT Declaração de Conformidade O abaixo assinado, autorizado por E.O.P.I.

, declara que os seguintes produtos: Virginia MH 542P - 555P, fabricada por E.O.P.I., Valmadrera, Italia.

estão de acordo com as Directivas Europeias 98/37/EEC Directiva de Maquinaria), 93/68/CEE (Directiva de Marcação CE) e 89/336/CEE (Directiva de Compatibilidade Electromagnética), directiva 2000/14/CEE (Apêndice V). IT F EG Conformiteitsverklaring Ondergetekende, gemachtigd door E.O.P.I., verklaart dat de volgende producten: Virginia MH 542P - 555P, geproduceerd door E.O.P.I., Valmadrera, Italia voldoen aan de Europese Richtlijnen 98/37/CEE (Machinerie Richtlijn), 93/68/CEE (EG Markering Richtlijn) & 89/336/CEE (Richtlijn aangaande elektromagnetische compatibiliteit), richtlijn 2000/14/CEE (Annex V).

FI Dichiarazione di Conformità CE Il sottoscritto, autorizzato dalla E.O.P.I., dichiara che i seguenti prodotti: Virginia MH 542P - 555P, costruito da E.O.P.I., Valmadrera, Italia, sono conformi alle Direttive Europee: 98/37/EEC (Direttiva Macchine), 93/68/CEE (Direttiva Marcatura CEE) & 89/336/CEE (Direttiva Compatibilità Elettromagnetica), direttiva 2000/14/CEE (Allegato V). EY Julistus Vastaavuudesta @ μμ E EE O μμ , μ e E.

O.P.I., : Virginia MH 542P - 555P, E.O.

P.I., Valmadrera, Italia, HA E E 98/37/CEE (M μ E), 93/68/CEE (μ CE E) & 89/336/CEE (H μ μ E), A 2000/14/CEE (V).



[You're reading an excerpt. Click here to read official MCCULLOCH VIRGINIA MH 542 user guide](http://yourpdfguides.com/dref/933069)
<http://yourpdfguides.com/dref/933069>

Allekirjoittanut, E.O.

P.I. in valtuutamina, vakuuttaa että seuraavat tuotteet: Virginia MH 542P - 555P, ja jotka on valmistanut E.O.P.I., Valmadrera, Italia, ovat Euroopan direktiivien 98/37/EEC (Koneisto-direktiivi), 93/68/CEE (CE Merkintä-direktiivi) & 89/336/CEE (Elektromagneettinen Yhteensopivuus-direktiivi) mukainen, direktiivi 2000/14/CEE (Liite V). SE EG-försäkran om överensstämelse Undertecknad, auktoriserad av E.O.P.

I., försäkrar att följande produkter: Virginia MH 542P - 555P, tillverkade av E.O.P.I., Valmadrera, Italia, är i överensstämelse med följande europeiska direktiv 98/37/EEC (Maskindirektiv), 93/68/CEE (CE-märknings-direktiv) & 89/336/CEE (Elektromagnetisk kompatibilitet), direktiv 2000/14/CEE (Annex V). Valmadrera, 15.12.01 Pino Todero (Direttore Tecnico) E.O.

P.I. A. General description 1) 2) 3) 4) 5) 6) 7) 8) 9) Trimmer blades Blade guides Fuel tank cap Rear handle Starter handle Muffler shield/top cover Spark plug boot/spark plug Front handle Throttle trigger 10) 11) 12) 13) 14) 15) 16) 17) Ignition switch Gear box assembly Front hand guard Air cleaner cover Choke lever Primer bulb Safety trigger Blade sheaths Safety precautions If not used properly this Hedgetrimmer can be dangerous.
@@@@@@@@@ Wear close-fitting protective clothes.

Wear safety shoes, gloves, goggles and ear protectors. Ensure you know how to stop the engine in an emergency. Start the engine according to these instructions. @@@@ @@@@ If any of the symptoms appear, seek immediate medical advice. @@@@ @@@@ If necessary use warning signs to keep onlookers at a safe distance.

@@@ When transporting or storing the machine always fit the blade sheath Never allow children to use this machine or animals in the immediate vicinity. @@@@ @@@@ @@@@ Wait until blades stop moving. Before resuming trimming, check that your stance is correct. Always be sure of your footing. Do not overreach. Do not use hedgetrimmer while standing on a ladder or other unstable surfaces. If trimming tall hedges or bushes, use scaffolding which is stable and secure. Do not operate the machine if the blades are damaged or excessively worn. To reduce any fire hazard keep the engine and muffler free of debris, leaves or excessive lubricant. Trimming Procedures WARNING: Wear heavy duty gloves when operating this unit.

There are two trimming procedures: Horizontal A and Vertical B. The horizontal trimming position is used to cut the top of bushes, shrubs or hedges. Always trim from right to left. Do not use hedgetrimmer above chest height. The vertical trimming procedure is used to cut the sides of bushes, shrubs and hedges. Always cut from bottom to top. 1 Place right hand on rear handle assembly and left hand on the front handle. 2 Trim area to be cut whilst squeezing throttle trigger to maximum extent. When finished release throttle trigger. Allow engine to return to idle position.

Blade action should stop. Move to next section to be cut. 3 After moving to the next section, make sure you are standing on firm ground, squeeze trigger to full extent and resume trimming. ENGLISH - 3 G. @@@@ @@@@ Precise numerical engine speed settings are mentioned in the technical detail chart in the front of the operator's manual.

Warranty may be invalidated from incorrect carburettor adjustment made by persons other than an authorised dealer. H. Regular maintenance Every 10 work hours 1 Air filter cleaning Never operate hedgetrimmer without the air filter, this will damage the engine. Remove the 2 air cleaner cover screws. Take off the air cleaner cover and remove air filter from the back of the cover.

Clean air filter in warm soapy water. DO NOT USE PETROL. Allow filter to dry. Re-install filter. Note: replace filter if torn or damaged. 2 Remove spark plug Clean and adjust electrodes setting. Every 50 work hours 3 Change spark plug Long storage Empty fuel tank and run engine dry. Technical data Displacement (cc) Bore Stroke (mm) Engine output in hp/kW Engine speed at max power Fuel tank capacity (cc) Weight (Kg) Sound pressure level (at the operator's ear) LpAav (dBA) (ISO7917) Guaranteed noise level LwAav (dBA) (ISO 10884) Measured sound power level LwAav (dBA) (ISO 10884) Vibration levels recorded at the operators hand position idle/racing 25 35 26 0.9/0.7 8,000 - 9,000 370 4.

5/4.8 83/100dB(A) 108 106 4/8 m/s² ENGLISH - 4 Fault finding Engine will not start Check stop switch is in the correct position Check fuel level Engine will not start or runs badly Check air filter is clean Remove sparkplug - dry, clean and adjust, and replace if necessary Have carburettor adjusted Engine runs fast but loses power when working Have carburettor adjusted Change fuel filter Contact your dealer Engine still gives trouble Contact your dealer Note: Do not attempt to repair your machine unless you are qualified to do so. ENGLISH - 5.



[You're reading an excerpt. Click here to read official MCCULLOCH VIRGINIA MH 542 user guide](http://yourpdfguides.com/dref/933069)
<http://yourpdfguides.com/dref/933069>