



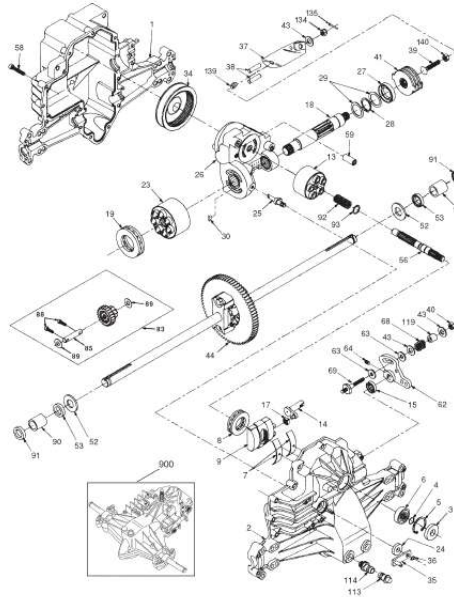
# Your PDF Guides

You can read the recommendations in the user guide, the technical guide or the installation guide for MCCULLOCH HYDRO-GEAR TRANSAXLE. You'll find the answers to all your questions on the MCCULLOCH HYDRO-GEAR TRANSAXLE in the user manual (information, specifications, safety advice, size, accessories, etc.). Detailed instructions for use are in the User's Guide.

**User manual MCCULLOCH HYDRO-GEAR TRANSAXLE**  
**User guide MCCULLOCH HYDRO-GEAR TRANSAXLE**  
**Operating instructions MCCULLOCH HYDRO-GEAR TRANSAXLE**  
**Instructions for use MCCULLOCH HYDRO-GEAR TRANSAXLE**  
**Instruction manual MCCULLOCH HYDRO-GEAR TRANSAXLE**

## REPAIR PARTS

HYDRO GEAR TRANSAXLE - MODEL NUMBER 319-0650



[You're reading an excerpt. Click here to read official MCCULLOCH HYDRO-GEAR TRANSAXLE user guide](http://yourpdfguides.com/dref/3599063)

<http://yourpdfguides.com/dref/3599063>



250 External 125 532 17 04-45 Filter Assembly Seal, Lip .741 X .250 X .

250 TC Fan - Pulley Service Aassembly Flat Washer, 5/8 ID X 1.0 OD X .05 THK 126 532 17 84-17 127 532 17 04-47 Seal - O-ring Kit Retaining Ring 128  
532 17 31-65 Kit, Expansion Tank Bearing, Center Block 900 532 17 16-13 Transaxle, complete 29-91 17 03-90 17 03-91 17 03-92 15 07-92 15 07-93 15  
08-09 17 03-93 17 03-94 17 03-95 17 03-96 15 07-97 17 03-97 17 03-98 17 03-99 17 04-00 17 04-01 17 04-02 17 04-03 17 04-04 17 04-05 17 04-06 1  
429-77 14 29-78 15 07-98 17 04-07 17 04-08 NOTE: All component dimensions given in U.S. inches 1 inch = 25.

4 mm Key No. 45 and 46 replaced by Key no. .



[You're reading an excerpt. Click here to read official MCCULLOCH  
HYDRO-GEAR TRANSAXLE user guide  
http://yourpdfguides.com/dref/3599063](#)