



Your PDF Guides

You can read the recommendations in the user guide, the technical guide or the installation guide for MCCULLOCH EUROMAC S44 18. You'll find the answers to all your questions on the MCCULLOCH EUROMAC S44 18 in the user manual (information, specifications, safety advice, size, accessories, etc.). Detailed instructions for use are in the User's Guide.

User manual MCCULLOCH EUROMAC S44 18
User guide MCCULLOCH EUROMAC S44 18
Operating instructions MCCULLOCH EUROMAC S44 18
Instructions for use MCCULLOCH EUROMAC S44 18
Instruction manual MCCULLOCH EUROMAC S44 18

Electrolux

Service		ELECTROLUX OUTDOOR PRODUCTS	
brand	EUROMAC	date	FEB.03 SHEET 1/8
Model	Prefix	Product number	
EUROMAC S44 18"	01	953900248	

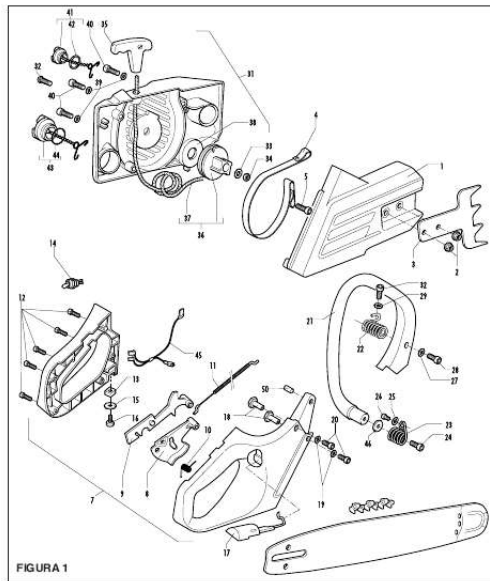


FIGURA 1

The Electrolux Group. The world's No. 1 choice.



[You're reading an excerpt. Click here to read official MCCULLOCH EUROMAC S44 18 user guide](http://yourpdfguides.com/dref/3599062)
<http://yourpdfguides.com/dref/3599062>

