



Your PDF Guides

You can read the recommendations in the user guide, the technical guide or the installation guide for MCCULLOCH EUROMAC S42 16. You'll find the answers to all your questions on the MCCULLOCH EUROMAC S42 16 in the user manual (information, specifications, safety advice, size, accessories, etc.). Detailed instructions for use are in the User's Guide.

User manual MCCULLOCH EUROMAC S42 16
User guide MCCULLOCH EUROMAC S42 16
Operating instructions MCCULLOCH EUROMAC S42 16
Instructions for use MCCULLOCH EUROMAC S42 16
Instruction manual MCCULLOCH EUROMAC S42 16

Electrolux

Service

brand **EUROMAC**

ELECTROLUX OUTDOOR PRODUCTS

date **FEB.03** SHEET 1/8

Model

Prefix

Product number

EUROMAC S42 16"

01

24819600B

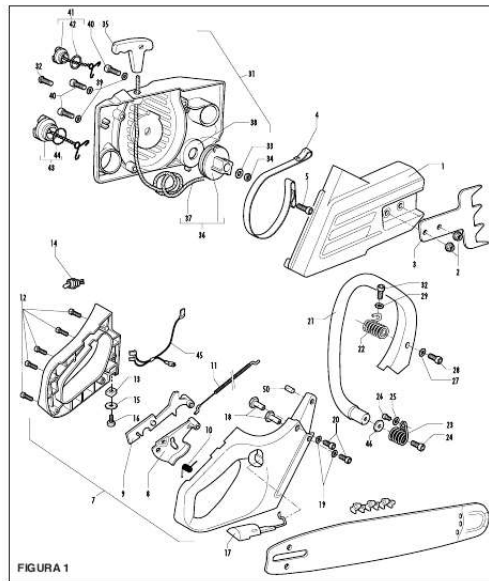



FIGURA 1

 The Electrolux Group. The world's No. 1 choice.



[You're reading an excerpt. Click here to read official MCCULLOCH EUROMAC S42 16 user guide](http://yourpdfguides.com/dref/3599061)
<http://yourpdfguides.com/dref/3599061>

