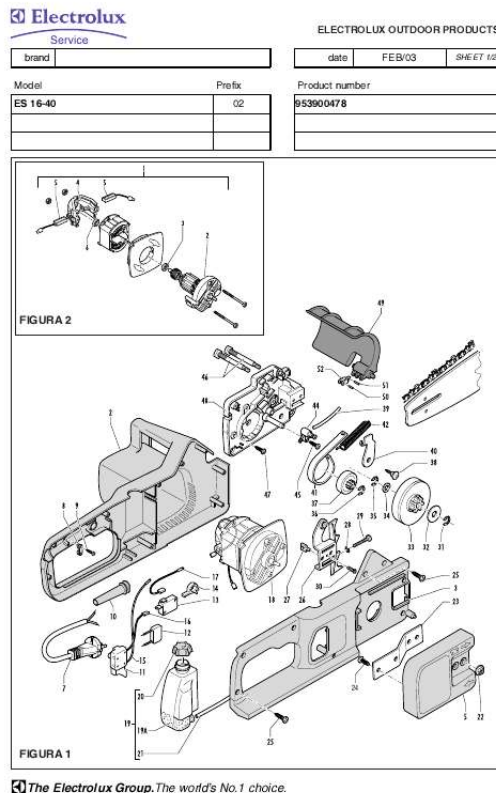




Your PDF Guides

You can read the recommendations in the user guide, the technical guide or the installation guide for MCCULLOCH ES 16-40. You'll find the answers to all your questions on the MCCULLOCH ES 16-40 in the user manual (information, specifications, safety advice, size, accessories, etc.). Detailed instructions for use are in the User's Guide.

User manual MCCULLOCH ES 16-40
User guide MCCULLOCH ES 16-40
Operating instructions MCCULLOCH ES 16-40
Instructions for use MCCULLOCH ES 16-40
Instruction manual MCCULLOCH ES 16-40



[You're reading an excerpt. Click here to read official MCCULLOCH ES 16-40 user guide](http://yourpdfguides.com/dref/3599051)
<http://yourpdfguides.com/dref/3599051>

Manual abstract:

*The world's No.1 choice. ELECTROLUX OUTDOOR PRODUCTS brand Model ES 16-40 Prefix 02 date Product number 953900478 FEB/03 SHEET 2/2
FIGURA 1 pos 2 3 5 C 7 8 9 10 11 12 13 14 15 16 17 C C B C A C 18 19 19A 20 21 22 23 24 25 26 A B B 27 28 29 30 B B B 31 32 33 P/N McC 249147
241393 247597 241050 241052 241077 241051 241053 240794 229797 241048 241055 241056 241057 P/N ELX Q.ty DESCRIPTION LEFT CRANKCASE
KIT RIGHT CRANKCASE PINION COVER WIRE+PLUG (SCHUKO) CLAMP SCREW M4X14 WIRE PROTECTION SWITCH NOISE REDUCTION
DEVICE MICRO SWITCH SWITCH LEVER MOTOR/SWITCH WIRE SWITCH/ MICROSWITCH WIRE MOTOR SWITCH WIRE OIL TANK ASSY OIL
FILTER OIL CAP OIL TUBE NUT M6 PINION COVER PLATE SCREW M4X14 SCREW M4X18 SPIKE CHAIN TENSIONER NUT BENZING D.4 SCREW
M5X30 SCREW M 2,9X 9,5 D.8 RING 10X30X0,8mm WASHER ES GEAR ASSY C pos 34 35 36 37 38 39 40 41 42 B 44 45 A 46 47 48 C 49 50 51 P/N McC
241074 229137 241073 241041 241045 229743 241044 241500 241451 241183 240862 241035 240862 241029 247717 P/N ELX Q.ty DESCRIPTION
10X15X1mm WASHER D.8 RING D 8 mm. .*



[You're reading an excerpt. Click here to read official MCCULLOCH
ES 16-40 user guide
http://yourpdfguides.com/dref/3599051](http://yourpdfguides.com/dref/3599051)