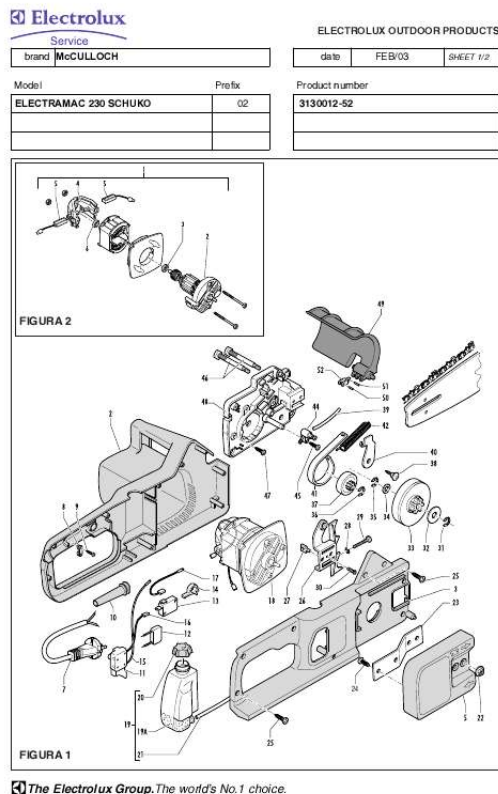




# Your PDF Guides

You can read the recommendations in the user guide, the technical guide or the installation guide for MCCULLOCH ELECTRAMAC 230 SCHUKO. You'll find the answers to all your questions on the MCCULLOCH ELECTRAMAC 230 SCHUKO in the user manual (information, specifications, safety advice, size, accessories, etc.). Detailed instructions for use are in the User's Guide.

**User manual MCCULLOCH ELECTRAMAC 230 SCHUKO**  
**User guide MCCULLOCH ELECTRAMAC 230 SCHUKO**  
**Operating instructions MCCULLOCH ELECTRAMAC 230 SCHUKO**  
**Instructions for use MCCULLOCH ELECTRAMAC 230 SCHUKO**  
**Instruction manual MCCULLOCH ELECTRAMAC 230 SCHUKO**



[You're reading an excerpt. Click here to read official MCCULLOCH ELECTRAMAC 230 SCHUKO user guide](http://yourpdfguides.com/dref/3598983)  
<http://yourpdfguides.com/dref/3598983>

**Manual abstract:**

*The world's No.1 choice. ELECTROLUX OUTDOOR PRODUCTS brand McCULLOCH Model ELECTRAMAC 230 SCHUKO Prefix 02 date Product number 3130012-52 FEB/03 SHEET 2/2 FIGURA 1 pos 2 3 5 C 7 8 9 10 C 11 12 13 14 15 16 17 C C B C A C 18 19 19A 20 21 22 23 24 25 26 A B B 27 28 29 30 B C B 31 32 33 P/N McC 249134 242776 247597 241050 241052 241077 241051 241053 240794 229797 241048 241055 241056 241057 P/N ELX Q.ty DESCRIPTION LEFT CRANKCASE KIT RIGHT CRANKCASE PINION COVER WIRE+PLUG (SCHUKO) CLAMP SCREW M4X14 WIRE PROTECTION SWITCH NOISE REDUCTION DEVICE MICRO SWITCH SWITCH LEVER MOTOR/SWITCH WIRE SWITCH/ MICROSWITCH WIRE MOTOR SWITCH WIRE C pos 34 35 36 37 38 39 40 41 42 B 44 45 A 46 47 48 C 49 50 51 P/N McC 241074 229137 241073 241041 241045 229743 241044 241500 241451 241183 240862 241035 240862 241029 247717 P/N ELX Q.ty DESCRIPTION 10X15X1mm WASHER D.8 RING D 8 mm. .*



**[You're reading an excerpt. Click here to read official MCCULLOCH ELECTRAMAC 230 SCHUKO user guide](http://yourpdfguides.com/dref/3598983)**  
**<http://yourpdfguides.com/dref/3598983>**