

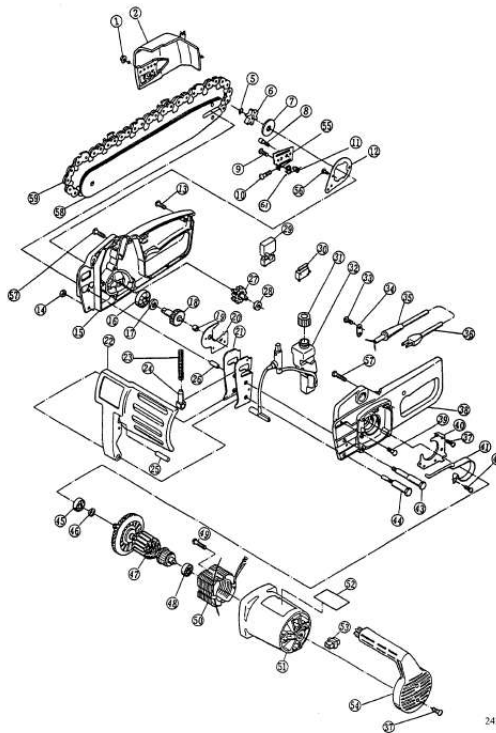


Your PDF Guides

You can read the recommendations in the user guide, the technical guide or the installation guide for MCCULLOCH ELECTRAMAC 16E. You'll find the answers to all your questions on the MCCULLOCH ELECTRAMAC 16E in the user manual (information, specifications, safety advice, size, accessories, etc.). Detailed instructions for use are in the User's Guide.

User manual MCCULLOCH ELECTRAMAC 16E
User guide MCCULLOCH ELECTRAMAC 16E
Operating instructions MCCULLOCH ELECTRAMAC 16E
Instructions for use MCCULLOCH ELECTRAMAC 16E
Instruction manual MCCULLOCH ELECTRAMAC 16E

MCCULLOCH *Electramac* 16E



243



[You're reading an excerpt. Click here to read official MCCULLOCH ELECTRAMAC 16E user guide](http://yourpdfguides.com/dref/3598982)
<http://yourpdfguides.com/dref/3598982>

Manual abstract:

NO. 1 CODENO. 235217 DESCRIPTION REF. NO. COENO. DESCRIPTION Hex. Nut M6 Guide Bar Holder Ass'y 32 33 34 35 61460841100
60011383000 61465941600 68015909600 68125212502 9647041407 Oil Pump Ass'y Screw (B) M4 x 10 Cord Clamp Cord Holder Cord Ass'y Screw (B) M4
x 14 Frame (L) Screw (S) M4 x 8 M4 x 8 Brake Guide Plate Brake Band Ass'y Screw (S) M4 x 20 v14 x 20 Guide Bar Bolt Chain Catcher Ball Bearing #
6200ZZ Collar 010.2 Armadure Ball Bearing # 626ZZ Screw(B) M5x65 x 20 x 2 2 3 4 5 6 7 8 9 10 11 12 13 14 15 16 17 18 19 20 21 22 23 24 25 26 27 28 29
30 31 61460840900 9722110000 61468613800 61441675100 61461379000 60011383100 235212 61461379100 61461545300 235205 235912 61468025201
9005006201 61469067000 61460406510 65347106500 61461545800 61461534210 61464016400 61461738000 61464016700 61461229800 61469067600
61460406400 61469067100 61415513900 60065541000 61444009601 Retaining Ring (C) S-11 Sprocket Side Plate (Sprocket) Guide Bar Screw Screw M4 x
14 @ phil. pan Screw M5 x 35 Nut Fix Plate (R) Screw (B) M4 x 18 Hex. .



[You're reading an excerpt. Click here to read official MCCULLOCH
ELECTRAMAC 16E user guide
http://yourpdfguides.com/dref/3598982](http://yourpdfguides.com/dref/3598982)