



# Your PDF Guides

You can read the recommendations in the user guide, the technical guide or the installation guide for MCCULLOCH CABRIO 251. You'll find the answers to all your questions on the MCCULLOCH CABRIO 251 in the user manual (information, specifications, safety advice, size, accessories, etc.). Detailed instructions for use are in the User's Guide.

**User manual MCCULLOCH CABRIO 251**  
**User guide MCCULLOCH CABRIO 251**  
**Operating instructions MCCULLOCH CABRIO 251**  
**Instructions for use MCCULLOCH CABRIO 251**  
**Instruction manual MCCULLOCH CABRIO 251**

**Electrolux**

Service

brand **MCCULLOCH**

ELECTROLUX OUTDOOR PRODUCTS

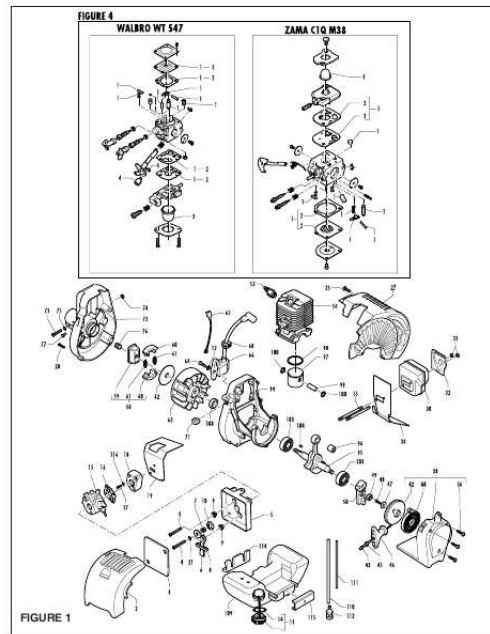
date **MAY/03** SHEET **1/4**

Model Prefix

**CABRIO 251** **02**

Product number

**953900243**



**The Electrolux Group. The world's No. 1 choice.**



[You're reading an excerpt. Click here to read official MCCULLOCH CABRIO 251 user guide](http://yourpdfguides.com/dref/3598915)  
<http://yourpdfguides.com/dref/3598915>

