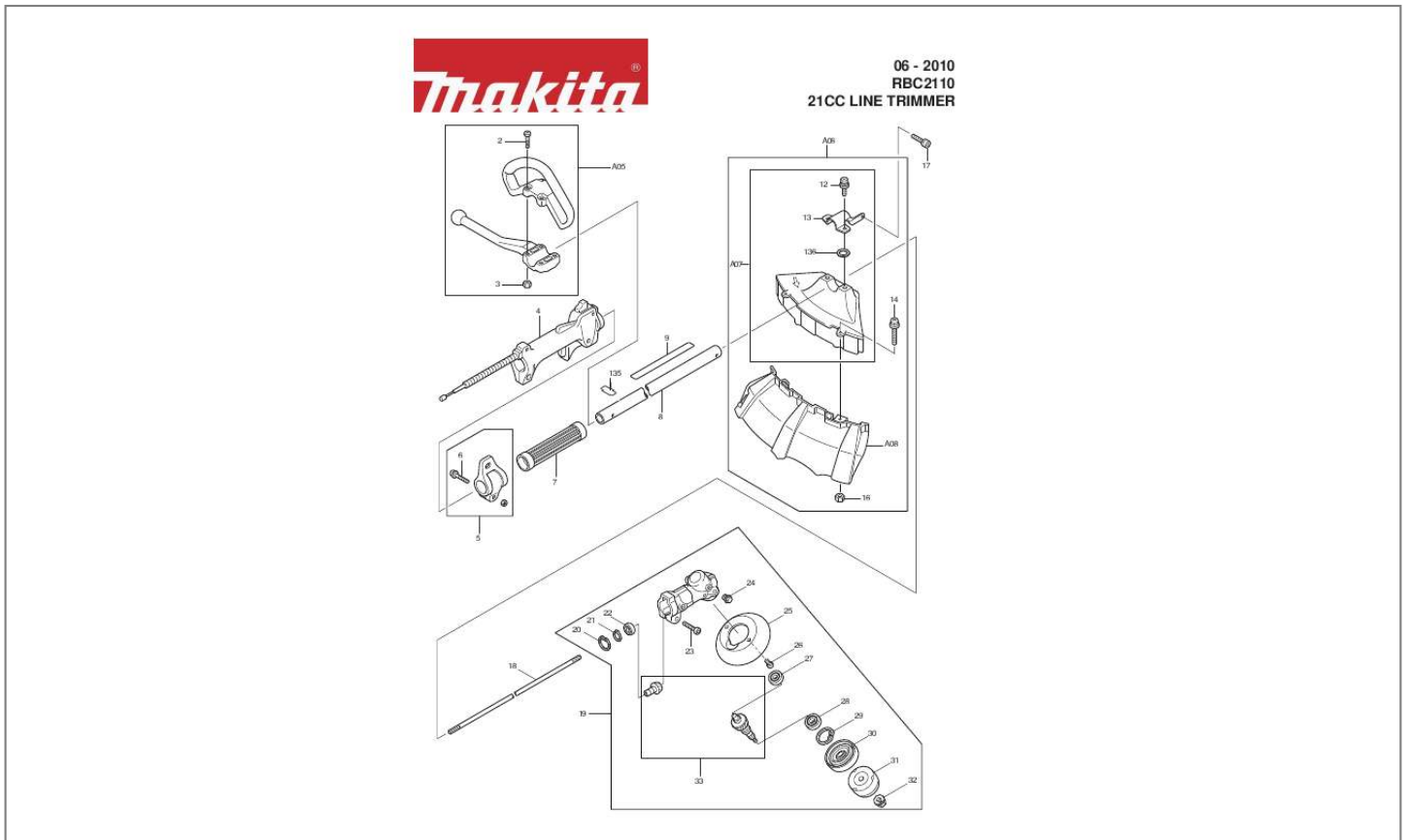




Your PDF Guides

You can read the recommendations in the user guide, the technical guide or the installation guide for MAKITA RBC2110. You'll find the answers to all your questions on the MAKITA RBC2110 in the user manual (information, specifications, safety advice, size, accessories, etc.). Detailed instructions for use are in the User's Guide.

User manual MAKITA RBC2110
User guide MAKITA RBC2110
Operating instructions MAKITA RBC2110
Instructions for use MAKITA RBC2110
Instruction manual MAKITA RBC2110



[You're reading an excerpt. Click here to read official MAKITA RBC2110 user guide](http://yourpdfguides.com/dref/2720654)
<http://yourpdfguides.com/dref/2720654>

Manual abstract:

INC. INC. INC. INC. INC. INC. INC. INC. INC. INC.

6214016030 0022705000 6195026000 0119059720 6195006060 6195026010 6195026020 6195006030 6195006050 6215023060 6195006150 6415011160
6197005001 0140059360 6191001001 6199523000 0100069770 6258508200 0140059380 0021805000 0119059490 6191500401 6243006002 INC.
0031424000 6193006120 6212500300 0119059890 6253011012 6218500200 0140059390 0600069990 0600109910 0031426000 6218501601 6218003001
6258505001 6243008002 5103502801 0140059500 5233014000 6165500201 5193500501 0119059730 5197500100 5191500901 5195503000 6279505700
0150059790 0655009870 0654009931 0851089950 5197018000 0140049770 5197011010 0119059520 5193001002 INC. 5193001050 5193500002
5191500301 Description SCREW NUT M5 CONTROL LEVER ASS'Y SOCKET HEAD BOLT M5X20 TAPPING SCREW M4X20 WIRE ASS'Y WIRE COMPL
LEVER SPRING LEVER TOP NUT HANGER ASS'Y Item No. 6 SCREW & WASHER ASS'Y SHAFT PIPE COMPLETE CAUTION LABEL
BOLT,CROSSRECESS PROTECTOR CLAMP SCREW ASSEMBLY NUT M5 SOCKET HEAD BOLT M5X14 (W,SW) SHAFT CASE,GEAR ASSY Item No.
@@@ WIRE INSULATOR GASKET SOCKET HEAD BOLT M5X20 PLUG CAP COVER CYLINDER COVER,CYLINDER HD TRADE MARK LABEL
"MAKITA" TAPPING SCREW 5X14 PLUG CAP PLUG CAP SPRING TUBE WIRE COMPL SCREW ASSY M4X16(W,SW) IGNITION COIL SOCKET HEAD
BOLT M5X40 EXHAUST MUFFLER Item No.
@@4 PC. 1 PC. 2 PC. 4 PC. 1 PC.
1 PC. 1 PC. 1 PC. 1 PC. 1 PC. 2 PC. 1 PC. 0 1 PC. 1 PC. 1 PC.

2 PC. 1 PC. 2 PC. 2 PC. 1 PC. 1 PC. 1 PC. 0 1 PC. 1 PC. 1 PC.
1 PC. 1 PC. 1 PC. 2 PC. 1 PC.
1 PC. 1 PC. 1 PC. 1 PC. 1 PC.
1 PC. 1 PC. 2 PC. 1 PC. 1 PC. 1 PC. 2 PC. 1 PC. 1 PC. 1 PC.

1 PC. 1 PC. 1 PC. 1 PC. 1 PC. 1 PC. 1 PC. 2 PC. 1 PC. 2 PC. 1 PC.
0 1 PC. 1 PC. 1 PC. Item No. @@@@ @@@@ 2 PC.
1 PC. 1 PC. 1 PC. 1 PC. 1 PC.
1 PC. 1 PC. 1 PC. 3 PC. 1 PC. 1 PC. 1 PC. 1 PC. 0 2 PC. 1 PC.

2 PC. 3 PC. 1 PC. 1 PC. 1 PC. 1 PC. 1 PC. 1 PC. 1 PC. 1 PC.
1 PC. 3 PC. 1 PC. 1 PC. 0 1 PC.
1 PC. 1 PC. 1 PC. 1 PC. 1 PC.
1 PC. 1 PC. 1 PC. 2 PC. 1 PC. 0 1 PC. 2 PC. 1 PC. 1 PC. 1 PC.

1 PC. 1 PC. 1 PC. 1 PC. 1 PC. 1 PC. 1 PC. 1 PC. 1 PC. 1 PC.
1 PC. 1 PC. Item No. @@121 COMBINATION VALVE PRIMING PUMP PRIMING PUMP PLATE SCREW O-RING PLATE,AIR CLEANER ASSY PAN
HEAD SCREW M5X60 ELEMENT,AIR CLEANER CASE,AIR CLEANER SCREW ASS'Y M5X14 REWIND STARTER Item No. 62-66,68,71, A10 CAUTION
LABEL WASHER Q'ty Unit 2 PC.
1 PC. 1 PC. 1 PC. 1 PC. 1 PC.
1 PC. 0 1 PC. 1 PC. 1 PC. 4 PC. 1 PC. 1 PC. 2 PC. 1 PC. 1 PC.

1 PC. 1 PC. 0 1 PC. @@@@2,3 PROTECTOR ASSY Item No. A07, A08, 14, 16 PROTECTOR ASSY Item No. 12,13,136 PROTECTOR COMPLETE SPARK
PLUG STARTER ROPE 1 1 1 1 PC. PC. PC. @@PC. PC.
PC. PC. PC. 6258061002 INC. 2 6198008001 965 603 014 5255016020 .



[You're reading an excerpt. Click here to read official MAKITA RBC2110 user guide](http://yourpdfguides.com/dref/2720654)
<http://yourpdfguides.com/dref/2720654>