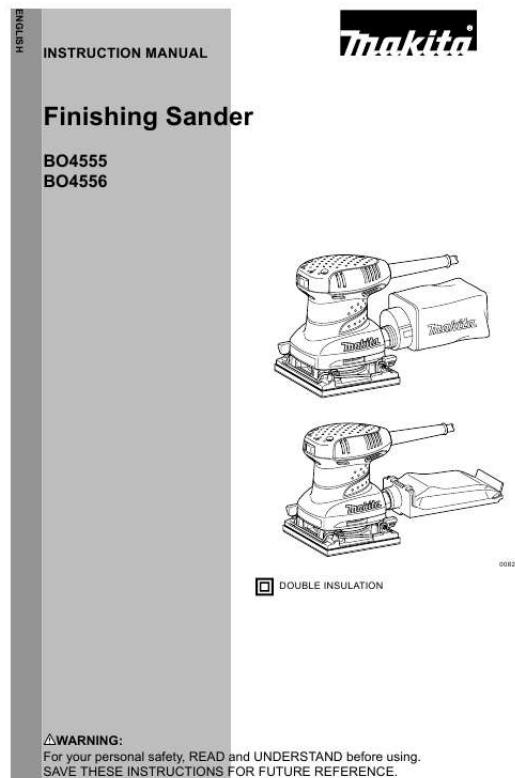




Your PDF Guides

You can read the recommendations in the user guide, the technical guide or the installation guide for MAKITA BO4556K. You'll find the answers to all your questions on the MAKITA BO4556K in the user manual (information, specifications, safety advice, size, accessories, etc.). Detailed instructions for use are in the User's Guide.

User manual MAKITA BO4556K
User guide MAKITA BO4556K
Operating instructions MAKITA BO4556K
Instructions for use MAKITA BO4556K
Instruction manual MAKITA BO4556K



[You're reading an excerpt. Click here to read official MAKITA BO4556K user guide](http://yourpdfguides.com/dref/3263129)
<http://yourpdfguides.com/dref/3263129>

Manual abstract:

SAVE THESE INSTRUCTIONS FOR FUTURE REFERENCE. 1 ENGLISH SPECIFICATIONS Model Pad size Orbits per minute (min-1) Dimensions (L x W x H) Net weight Safety class · Note: Specifications may differ from country to country. END201-3 ENG212-1 BO4555 112mm x 102mm 14,000 131 mm x 112 mm x 142 mm /II BO4556 131 mm x 112 mm x 141 mm 1.1 kg · Due to our continuing programme of research and development, the specifications herein are subject to change without notice. Symbols The following show the symbols used for the equipment. Be sure that you understand their meaning before use. Read instruction manual. DOUBLE INSULATION Only for EU countries Do not dispose of electric equipment together with household waste material! In observance of European Directive 2002/96/EC on waste electric and electronic equipment and its implementation in accordance with national law, electric equipment that have reached the end of their life must be collected separately and returned to an environmentally compatible recycling facility. ENE052-1 Vibration The vibration total value (tri-axial vector determined according to EN60745-2-4: Work mode : sanding metal plate Vibration emission (ah) : 2.5 m/s² or less For Model BO4556 sum) ENG101-1 For European countries only Noise The typical A-weighted noise level determined according to EN60745-2-4: Sound pressure level (LpA) : 82 dB(A) Uncertainty (K) : 3 dB(A) The noise level under working may exceed 85 dB (A). Wear ear protection. ENG211-1 Intended use The tool is intended for the sanding of large surface of wood, plastic and metal materials as well as painted surfaces. ENF002-1 Vibration The vibration total value (tri-axial determined according to EN60745-2-4: Work mode : sanding metal plate Vibration emission (ah) : 3 m/s² Uncertainty (K) : 1.5 m/s² vector sum) ENH101-7 EC-DECLARATION OF CONFORMITY Model; BO4555, BO4556 We declare under our sole responsibility that this product is in compliance with the following standards of standardized documents; EN60745, EN55014, EN61000 in accordance with Council Directives, 2004/108/EC, 98/37/EC. CE2006 Power supply The tool should be connected only to a power supply of the same voltage as indicated on the nameplate, and can only be operated on single-phase AC supply. They are double-insulated in accordance with European Standard and can, therefore, also be used from sockets without earth wire. For Model BO4555 ENG101-1 000230 For European countries only Noise The typical A-weighted noise level determined according to EN60745-2-4: Sound pressure level (LpA) : 80 dB(A) Uncertainty (K) : 3 dB(A) The noise level under working may exceed 85 dB (A). Wear ear protection. 2 Tomoyasu Kato Director Responsible Manufacturer: Makita Corporation 3-11-8, Sumiyoshi-cho, Anjo, Aichi, JAPAN Authorized Representative in Europe: Makita International Europe Ltd. Michigan Drive, Tongwell, Milton Keynes, Bucks MK15 8JD, ENGLAND GEA001-3 GENERAL SAFETY RULES WARNING! Read all instructions. @@@@Keep work area clean and well lit. Cluttered and dark areas invite accidents. 2. @@Power tools create sparks which may ignite the dust or fumes. 3. Keep children and bystanders away while operating a power tool. Distractions can cause you to lose control. Electrical Safety 4. Power tool plugs must match the outlet. Never modify the plug in any way. Do not use any adapter plugs with earthed (grounded) power tools. Unmodified plugs and matching outlets will reduce risk of electric shock. 5. Avoid body contact with earthed or grounded surfaces such as pipes, radiators, ranges and refrigerators. There is an increased risk of electric shock if your body is earthed or grounded. 6. Do not expose power tools to rain or wet conditions. Water entering a power tool will increase the risk of electric shock. 7. Do not abuse the cord. Never use the cord for carrying, pulling or unplugging the power tool. Keep cord away from heat, oil, sharp edges or moving parts. Damaged or entangled cords increase the risk of electric shock. 8. When operating a power tool outdoors, use an extension cord suitable for outdoor use. Use of a cord suitable for outdoor use reduces the risk of electric shock. Personal Safety 9. Stay alert, watch what you are doing and use common sense when operating a power tool. Do not use a power tool while you are tired or under the influence of drugs, alcohol or medication. A moment of inattention while operating power tools may result in serious personal injury. 10. Use safety equipment. Always wear eye protection. Safety equipment such as dust mask, non-skid safety shoes, hard hat, or hearing 3 protection used for appropriate conditions will reduce personal injuries. 11. Avoid accidental starting. Ensure the switch is in the off-position before plugging in. Carrying power tools with your finger on the switch or plugging in power tools that have the switch on invites accidents. 12. Remove any adjusting key or wrench before turning the power tool on. A wrench or a key left attached to a rotating part of the power tool may result in personal injury. 13. Do not overreach. Keep proper footing and balance at all times. @@14. Dress properly. Do not wear loose clothing or jewellery. Keep your hair, clothing, and gloves away from moving parts. Loose clothes, jewellery or long hair can be caught in moving parts. 15. @@Use of these devices can reduce dust-related hazards. Power tool use and care 16. Do not force the power tool. Use the correct power tool for your application. @@17. Do not use the power tool if the switch does not turn it on and off. @@18. @@@@19. @@Power tools are dangerous in the hands of untrained users. 20. Maintain power tools. @@If damaged, have the power tool repaired before use. Many accidents are caused by poorly maintained power tools. 21. Keep cutting tools sharp and clean. @@22. Use the power tool, accessories and tool bits etc. @@@@SERVICE 23. @@This will ensure that the safety of the power tool is maintained. 24. Follow instruction for lubricating and changing accessories. 25. @@@@1. @@@@2. Always use safety glasses or goggles. Ordinary eye or sun glasses are NOT safety glasses. 3. Hold the tool firmly. 4. Do not leave the tool running. Operate the tool only when hand-held. 5. @@6. Ventilate your work area adequately when you perform sanding operations. 7. Some material contains chemicals which may be toxic. Take caution to prevent dust inhalation and skin contact. Follow manual supplier safety data. 8. Use of this tool to sand some products, paints and wood could expose user to dust containing hazardous substances. Use appropriate respiratory protection. 9. Be sure that there are no cracks or breakage on the pad before use. Cracks or breakage may cause a personal injury. 1 008302 CAUTION: Before plugging in the tool, always check to see that the tool is switched off. To start the tool, press the " I " side of the switch. To stop the tool, press the " O " side of the switch. · ASSEMBLY · CAUTION: Always be sure that the tool is switched off and unplugged before carrying out any work on the tool.



[You're reading an excerpt. Click here to read official MAKITA BO4556K user guide](http://yourpdfguides.com/dref/3263129)
<http://yourpdfguides.com/dref/3263129>

Installing or removing abrasive paper 008299 SAVE THESE INSTRUCTIONS. Open the paper clamp by raising on the lever to release from the locking port and then Insert the paper end into the clamping part, aligning the paper edges even and parallel with the sides of the base.

(Bending the paper beforehand makes attachment easier). Once the paper is in place, return the lever to its original position. 4 008293 Repeat the same process for the other end of the base, maintaining the proper paper tension. After inserting the paper, make sure the clamping part hold it securely. Otherwise the paper will be loose and subject to slippage, resulting in uneven sanding operation. 1 2 Set the tool upside down so that the pad is on top. Position the sandpaper to fit the shape of the base. Be sure to align the holes on the sandpaper with the holes on the pad (the dust will be sucked into these holes; it is therefore important to leave them open). 3. Press the paper firmly over the pad.

To remove the sandpaper: 1. Set the tool upside down so that the sandpaper is on top. 2. Grasping one corner of the sandpaper, peel it from the pad. NOTE: If the sandpaper is in good condition, save it for further use.

1. 2. 1. Punch plate 2. Sandpaper 3.

Guide Dust bag (accessory) 1 1. Dust bag 3 008297 008301 When using the dust bag, make holes in the abrasive paper using the punch plate as follows: 1. Set the tool upside down. 2. @ @3. Press the punch plate to make holes in the abrasive paper. CAUTION: Be sure to remove the punch plate before operating the tool. @ @ @ Make sure that the hole in the bag's entry port is just over the pimple-like protrusion on the dust spout. For the best results, empty the dust bag when it becomes approximately half full, tapping it lightly to remove as much dust as possible. Installing paper dust bag (accessory) 2 1 NOTE: Use Makita hook-and-loop sandpaper with this sander.

2 1. Groove 2. Front fixing cardboard 3. Front side of paper dust bag 1. Velcro sandpaper 2. Base 003742 3 1 008296 Place the paper dust bag on the paper dust bag holder with its front side upward. Insert the front fixing cardboard of the paper dust bag into the groove of the paper dust bag holder. Then press the upper part of the front fixing cardboard in arrow direction to hook it onto the claws. 5 1 1. Claws 2.

Upper part 2 Hold the tool firmly. Turn the tool on and wait until it attains full speed. Then.



[You're reading an excerpt. Click here to read official MAKITA](#)

[BO4556K user guide](#)

<http://yourpdfguides.com/dref/3263129>