



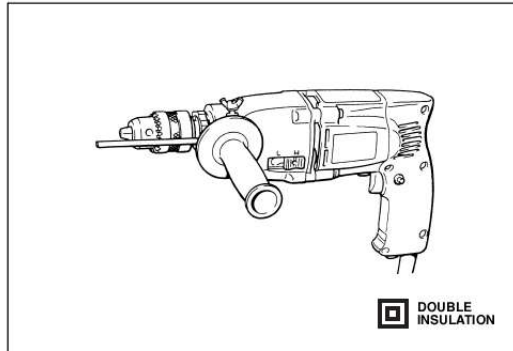
Your PDF Guides

You can read the recommendations in the user guide, the technical guide or the installation guide for MAKITA 8419B-2. You'll find the answers to all your questions on the MAKITA 8419B-2 in the user manual (information, specifications, safety advice, size, accessories, etc.). Detailed instructions for use are in the User's Guide.

User manual MAKITA 8419B-2
User guide MAKITA 8419B-2
Operating instructions MAKITA 8419B-2
Instructions for use MAKITA 8419B-2
Instruction manual MAKITA 8419B-2



2-Speed Hammer Drill
8419B-2



[You're reading an excerpt. Click here to read official MAKITA 8419B-2 user guide](http://yourpdfguides.com/dref/3263085)
<http://yourpdfguides.com/dref/3263085>

Manual abstract:

.....
.....
.....

.....
.....
.....

.....
.....
.....

.....
.....
.....

High: 18 mm (3/4") Low: 30 mm (1-1/8") Steel

.....
.....

.....
.....
.....

.....
.....
.....

.....
.....
.....

.....
.....
.....

. High: 6.5 mm (1/4") Low: 13 mm (1/2") Concrete.....

.....
.....
.....

.....
.....
.....

.....
.....
.....

.....
.....
.....

..... High: 14 mm (9/16") Low: 19 mm (3/4") No load speed (RPM)

.....
.....
.....
.....

.....
.....
.....
.....

.....
.....
.....
.....

.....
.....
.....
.....

..... *High: 2,300 Low: 900 Blows per minute*

.....
.....
.....
.....

.....
.....
.....
.....

.....
.....
.....
.....

.....
.....
.....
.....

High: 46,000 Low: 18,000 Overall length

.....
.....
.....
.....

.....
.....
.....
.....

.....
.....
.....
.....

.....
.....
.....
.....

...350 mm (13-3/4") Net weight

.....
.....
.....
.....

.....
.....

.....

...3 kg (6,6 lbs) · Due to our continuing programme of research and development, the specifications herein are subject to change without notice. · Note:
 Specifications may differ from country to country.

Power supply The tool should be connected only to a power supply of the same voltage as indicated on the nameplate, and can only be operated on single-phase AC supply. They are double-insulated in accordance with European Standard and can, therefore, also be used from sockets without earth wire. For European countries only Noise and Vibration The typical A-weighted noise levels are sound pressure level: 99 dB (A) sound power level: 112 dB (A) Wear ear protection. The typical weighted root mean square acceleration value is 8 m/s². Symbols The followings show the symbols used for the tool. Be sure that you understand their meaning before use. Read instruction manual. Wear safety glasses. Only for EU countries Do not dispose of electric equipment together with household waste material! @@@@*from 1st Jan. @@@@Read all these instructions before attempting to operate this product and save these instructions.

For safe operation: 1. Keep work area clean Cluttered areas and benches invite injuries. 2. Consider work area environment Don't expose power tools to rain. Don't use power tools in damp or wet locations. Keep work area well lit. Don't use power tools in presence of flammable liquids or gases. 3. Guard against electric shock Prevent body contact with grounded surfaces (e.g. pipes, radiators, ranges, refrigerators). 4. Keep children away Do not let visitors contact tool or extension cord. All visitors should be kept away from work area. 5.

Store idle tools When not in use, tools should be stored in dry, high, or locked-up place, out of the reach of children. 6. Don't force tool It will do the job better and safer at the rate for which it was intended. 7. Use right tool Don't force small tools or attachments to do the job of a heavy duty tool. Don't use tools for purposes not intended; for example, don't use circular saw for cutting tree limbs or logs. 8. Dress properly Do not wear loose clothing or jewellery. They can be caught in moving parts. Rubber gloves and non-skid footwear are recommended when working outdoors. Wear protective hair covering to contain long hair. 9. Use safety glasses and hearing protection Also use face or dust mask if cutting operation is dusty. 10. Connect dust extraction equipment If devices are provided for the connection of dust extraction and collection facilities, ensure these are connected and properly used.

11. Don't abuse cord Never carry tool by cord or yank it to disconnect it from receptacle. Keep cord from heat, oil and sharp edges. 12. Secure work Use clamps or a vice to hold work. It's safer than using your hand and it frees both hands to operate tool. 13. Don't overreach Keep proper footing and balance at all times. 14. Maintain tools with care Keep tools sharp and clean for better and safer performance.

Follow instructions for lubricating and changing accessories. Inspect tool cords periodically and, if damaged, have repaired by authorised service facility. Inspect extension cords periodically and replace if damaged. Keep handles dry, clean and free from oil and grease. 15.

Disconnect tools When not in use, before servicing, and when changing accessories such as blades, bits and cutters. 16. @@17. @@Be sure switch is off when plugging in. 18.

@@19. Stay alert Watch what you are doing. Use common sense. Do not operate tool when you are tired. 20. @@@@Have defective switches replaced by and authorised service centre. Do not use tool if switch does not turn it on and off. 21. @@22. @@@@Wear a hard hat (safety helmet), safety glasses and/or face shield.

@@ Under normal operation, the tool is designed to produce vibration. The screws can come loose easily, causing a breakdown or accident. Check tightness of screws carefully before operation. Always be sure you have a firm footing. @5. 6. 7. 8. Hold the tool firmly with both hands. Always use the side grip. Keep hands away from rotating parts. Do not leave the tool running. Operate the tool only when hand-held. @@@@Do not force the tool. Light pressure gives best results.

@@@ Instead, run the tool at an idle, then remove from the hole. @@@@Place the point of the bit in the indentation and start drilling. Use a cutting lubricant when drilling metals. The exceptions are iron and brass which should be drilled dry. @@@@ There is a tremendous force exerted on the tool/bit at the time of hole breakthrough.

Hold the tool firmly and exert care when the bit begins to break through the workpiece. · Always secure small workpieces in a vise or similar hold-down device. **SAVE THESE INSTRUCTIONS.** OPERATING INSTRUCTIONS Selecting action mode Rotation with hammering (Fig. 1) For drilling in concrete, granite, tile, etc., turn the change marking. Be sure to use a ring in the direction of W concrete and masonry drilling bit. Rotation only (Fig. 2) For drilling in wood, metal or plastic materials, turn the marking. Use a change ring in the direction of V conventional bit for drilling in wood or metal.

Installing or removing drill bit (Fig. 3) CAUTION: Always be sure that the tool is switched off and unplugged before installing or removing the bit. To install the bit, place it in the chuck as far as it will go. Tighten the chuck by hand. Place the chuck key in each of the three holes and tighten clockwise. Be sure to tighten all three chuck holes evenly. To remove the bit, turn the chuck key counterclockwise in just one hole, then loosen the chuck by hand. After using the chuck key, be sure to return it to the original position. **MAINTENANCE CAUTION:** Always be sure that the tool is switched off and unplugged before attempting to perform inspection or maintenance. To maintain product SAFETY and RELIABILITY, repairs, carbon brush inspection and replacement, any other maintenance or adjustment should be performed by Makita Authorized or Factory Service Centers, always using Makita replacement parts. **Adjusting depth of drilling (Fig. 4)** Loosen the wing bolt and adjust the depth gauge to the desired depth. After adjusting, tighten the wing bolt. Side grip

(auxiliary handle) (Fig. @@@@7) To start the tool, simply pull the trigger.

Release the trigger to stop. For continuous operation, pull the trigger and then push in the lock button. To stop the tool from the locked position, pull the trigger fully, then release it. CAUTION: Before plugging in the tool, always check to see that the trigger switch actuates properly and returns to the "OFF" position when released. 5 ACCESSORIES CAUTION: These accessories or attachments are recommended for use with your Makita tool specified in this manual.



[You're reading an excerpt. Click here to read official MAKITA](#)

[8419B-2 user guide](#)

<http://yourpdfguides.com/dref/3263085>

*The use of any other accessories or attachments might present a risk of injury to persons. The accessories or attachments should be used only in the proper and intended manner. · Tungsten-carbide tipped bit L D M * `M" stand.*



[You're reading an excerpt. Click here to read official MAKITA 8419B-2 user guide](http://yourpdfguides.com/dref/3263085)
<http://yourpdfguides.com/dref/3263085>