



Your PDF Guides

You can read the recommendations in the user guide, the technical guide or the installation guide for HITACHI DZ-GX5020A. You'll find the answers to all your questions on the HITACHI DZ-GX5020A in the user manual (information, specifications, safety advice, size, accessories, etc.). Detailed instructions for use are in the User's Guide.

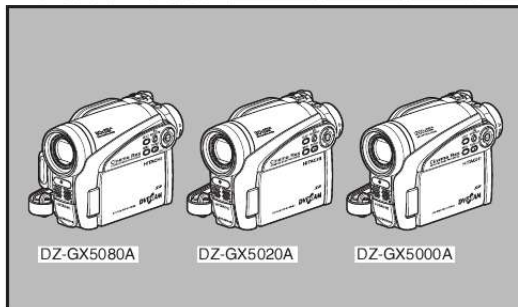
User manual HITACHI DZ-GX5020A
User guide HITACHI DZ-GX5020A
Operating instructions HITACHI DZ-GX5020A
Instructions for use HITACHI DZ-GX5020A
Instruction manual HITACHI DZ-GX5020A

HITACHI
Inspire the Next

English



DZ-GX5080A
DZ-GX5020A/DZ-GX5000A DVD-RAM DVD-RW DVD-R +RW



Instruction manual

To obtain the best performance and ensure years of trouble-free use, please read this entire instruction manual.

Mode d'emploi

Des performances optimales et un fonctionnement à long terme seront assurés en appliquant les présentes instructions après avoir entièrement lu ce mode d'emploi.

Manual de instrucciones

Para obtener el mejor funcionamiento y asegurar muchos años de utilización exenta de problemas, lea todo este manual de instrucciones.



[You're reading an excerpt. Click here to read official HITACHI DZ-GX5020A user guide](http://yourpdfguides.com/dref/3935367)

<http://yourpdfguides.com/dref/3935367>

Manual abstract:

This symbol alerts the user that important literature concerning the operation and maintenance of this unit has been included. Therefore, it should be read carefully to avoid any problems. CAUTION: TO REDUCE THE RISK OF ELECTRIC SHOCK, DO NOT OPEN. NO USER-SERVICEABLE PARTS INSIDE. REFER SERVICING TO QUALIFIED SERVICE PERSONNEL. Precautions WARNING: Many television programs and films are copyrighted. In certain circumstances, copyright law may apply to private in-home videotaping of copyrighted materials. This Class B digital apparatus complies with Canadian ICES-003. The liquid crystal display (LCD) panel is made by highly precise technology. More than 99.

99% of its picture elements (pixels) are effective, but some (less than 0.01%) may appear as colored bright dots. This does not indicate a fault as the LCD panel stretches the limits of current technology. CLASS 1 LASER PRODUCT CAUTION This product contains a laser diode of higher class than 1. To ensure continued safety, do not remove any covers or attempt to gain access to the inside of the product.

Refer all servicing to qualified personnel. 2 Warning: This device complies with Part 15 of the FCC Rules. Operation is subject to the following two conditions: (1) This device may not cause harmful interference, and (2) this device must accept any interference received, including interference that may cause undesired operation. Note: This equipment has been tested and found to comply with the limits for a Class B digital device, pursuant to Part 15 of the FCC Rules. These limits are designed to provide reasonable protection against harmful interference in a residential installation.

This equipment generates, uses, and can radiate radio frequency energy and, if not installed and used in accordance with the instructions, may cause harmful interference to radio communications. However, there is no guarantee that interference will not occur in a particular installation. If this equipment does cause harmful interference to radio or television reception, which can be determined by turning the equipment off and on, the user is encouraged to try to correct by one or more of the following measures: Reorient or relocate the receiving antenna. Increase the separation between the equipment and receiver.

Connect the equipment into an outlet on a circuit different from that to which the receiver is connected. Consult the dealer or an experienced radio/TV technician for help. Caution to the user: Changes or modifications not expressly approved by the manufacturer void the user's authority to operate the equipment. Microsoft, Windows, Windows Me, Windows 2000 Professional, and Windows XP are registered trademarks of Microsoft Corporation. Windows Vista™ is a trademark of Microsoft Corporation. Intel, Pentium Processor, and Celeron Processor are registered trademarks of Intel Corporation.

Macintosh is a trademark of Apple Computer, Inc. IBM and PC/AT are registered trademarks of International Business Machines Corporation. Manufactured under license from Dolby Laboratories. "Dolby" and the double-D symbol are trademarks of Dolby Laboratories. Other company names and product names listed are trademarks or brand names belonging to each individual company. SD logo is a trademark. 3 English IMPORTANT SAFETY INSTRUCTIONS In addition to the careful attention devoted to quality standards in the manufacture of your video product, safety is a major factor in the design of every instrument. But, safety is your responsibility too. This page lists important information that will help to assure your enjoyment and proper use of DVD video camera/ recorder and accessory equipment. English 1 2 3 4 5 6 7 8 9 Read these instructions.

Keep these instructions. Heed all warnings. Follow all instructions. Do not use this apparatus near water. Clean only with dry cloth.

Do not block any ventilation openings. Install in accordance with the manufacturer's instructions. Do not install near any heat sources such as radiators, heat registers, stoves, or other apparatus (including amplifiers) that produce heat. Protect the power cord from being walked on or pinched particularly at plugs, convenience receptacles, and the point where they exit from the apparatus. Only use attachments/accessories specified by the manufacturer.

Use only with the cart, stand, tripod, bracket, or table specified by the manufacturer, or sold with the apparatus. When a cart is used, use caution when moving the cart/apparatus combination to avoid injury from tip-over. Unplug this apparatus during lightning storms or when unused for long periods of time. Refer all servicing to qualified service personnel. Servicing is required when the apparatus has been damaged in any way, such as power-supply cord or plug is damaged, liquid has been spilled or objects have fallen into the apparatus, the apparatus has been exposed to rain or moisture, does not operate normally, or has been dropped. The apparatus shall not be exposed to dripping or splashing and that no objects filled with liquids, such as vases, shall be placed on the apparatus. The equipment (AC Adapter/Charger) shall be used near the socket-outlet and shall be easily accessible. 10 11 12 13 14 15 4 Handle the liquid crystal display (LCD) with care: The LCD is a very delicate display device: Do not press its surface with force, hit it or prick it with a sharp object. If you push the LCD surface, unevenness in display may occur. If unevenness does not disappear soon, turn the DVD video camera/recorder off, wait for a few moments, and then turn it on again.

Do not place the DVD video camera/recorder with the open LCD screen down. Close the LCD monitor when not using the DVD video camera/recorder.

Liquid crystal display (LCD) and viewfinder: The LCD screen and viewfinder are the products of highly precise technology. Among the total number of pixels (approx. 120,000 pixels for LCD monitor and equivalent to approx. 200,000 pixels for viewfinder), 0.01% or less pixels may be missing (black dots) or may remain lit as colored dots (red, blue, green). This shows the limitations of the current technology, and does not indicate a fault that will interfere with recording. The LCD screen and viewfinder will be slightly dimmer than usual when the DVD video camera/ recorder is at low temperature, as in cold areas, or immediately after power is turned on. Normal brightness will be restored when the temperature inside the DVD video camera/recorder rises.

Hold the DVD video camera/recorder correctly: Do not hold the viewfinder or LCD monitor when lifting the DVD video camera/recorder: The viewfinder or LCD monitor could detach and the DVD video camera/recorder may fall. Do not subject the DVD video camera/recorder to impact: This DVD video camera/recorder is a precision machine. Take great care that you do not strike it against a hard object or let it fall. When using a tripod, firmly secure the DVD video camera/recorder on it. Do not use the DVD video camera/recorder with a tripod in a place where it is subject to severe vibrations or impact.



[You're reading an excerpt. Click here to read official HITACHI DZ-GX5020A user guide](http://yourpdfguides.com/dref/3935367)

<http://yourpdfguides.com/dref/3935367>

No sand or dust! Fine sand or dust entering the DVD video camera/recorder or AC adapter/charger could cause malfunctions or defects. No water or oil! Water or oil entering the DVD video camera/recorder or AC adapter/charger could cause electric shock, malfunctions or defects. Heat on surface of product: The surfaces of the DVD video camera/recorder, AC adapter/charger and battery will be slightly warm, but this does not indicate a fault. Screen on connected TV: Never leave the disc navigation screen, still image or camera image displayed on your TV to which the DVD video camera/recorder is connected: Doing so could result in displayed image retention or phosphor degradation of TV screen. Be careful of ambient temperature: Using the DVD video camera/recorder in a place where the temperature is over 104F (40C) or under 32F (0C) will result in abnormal recording/playback.

Take care that the temperature of this DVD video camera/recorder, when connected to PC does not rise excessively (reference for usage: approx. 30 minutes at about 86F (30C)). Do not leave the DVD video camera/recorder on beach sand or in a closed vehicle where the temperature is very high for a long time: This could cause malfunctions. 5 English Cautions When Using Do not point directly at the sun: English If direct sunlight strikes the lens or viewfinder, the DVD video camera/recorder could malfunction or a fire could occur. Do not leave the DVD video camera/recorder with the LCD screen exposed to direct sunlight: This could cause malfunctions. Do not use the DVD video camera/recorder near TV or radio: This could cause noise to appear on the TV screen or in radio broadcasts. Do not use the DVD video camera/recorder near strong radio waves or magnetism: If the DVD video camera/recorder is used near strong radio waves or magnetism, such as near a radio wave tower or electric appliances, noise could enter video and audio that are being recorded. During playback of normally recorded video and audio, noise may also be present in picture and sound. At worst the DVD video camera/recorder could malfunction. Do not expose the DVD video camera/recorder to soot or steam: Thick soot or steam could damage the DVD video camera/recorder case or cause malfunctions.

Do not use the DVD video camera/recorder near corrosive gas: If the DVD video camera/recorder is used in a place where there is dense exhaust gas generated by gasoline or diesel engine, corrosive gas such as hydrogen sulfide, or sulfur such as in a hot spring area, the external or internal terminals could corrode, which would disable normal operation, or the battery connecting terminals could corrode, so power will not turn on. Do not use the DVD video camera/recorder near ultrasonic humidifier: With some water in humidifier, calcium and other chemicals dissolved in water could scatter in the air, and white particles could adhere to the optical head of the DVD video camera/recorder, which could cause it to operate abnormally. Do not expose the DVD video camera/recorder to insecticide: Insecticide entering the DVD video camera/recorder could dirty the lens in laser pickup block, and in such a case the DVD video camera/recorder might not operate normally. Turn the DVD video camera/recorder off and cover it with vinyl sheet, etc. before using insecticide.

Do not use a generally available 8 cm CD lens cleaner: Cleaning the lens is not necessary when using this DVD video camera/recorder in the usual way. Using 8 cm CD lens cleaner could cause this DVD video camera/recorder to be faulty. If you have to clean the lens, use a Hitachi Maxell cleaner that is exclusively for 8 cm DVD discs. Be careful of moisture condensation: When you move the DVD video camera/recorder between places where the difference in temperatures is great such as entering a lodge from a ski slope or going out of a cooled room or vehicle condensation (vapor in air warmed or cooled to water droplets) could occur on the lens and/or inside the DVD video camera/recorder. If condensation occurs, do not open the cover of disc or card insertion block if possible.

If condensation occurs on the lens, wipe it off with a soft, dry cloth. Even if the external surface of DVD videt store the DVD video camera/recorder in a place subject to strong magnetism or intense vibrations: This could cause malfunctions. Detach the battery from the DVD video camera/recorder and store it in a cool place: Leaving the battery attached or storing it at high temperature could shorten its life. Suggestions and Restrictions Make a trial recording: Always make a trial recording before doing actual recording to make sure that recording is normal. The data that have not been stored normally because of a defect in the DVD video camera/ recorder cannot be restored.

It is recommended that you use DVD-RAM disc from which recorded contents can be deleted for trial recording. Do not use the DVD video camera/recorder for professional applications: This DVD video camera/recorder is designed and produced for home-use recording and playback. The recorded contents cannot be compensated for: Hitachi cannot compensate for any damages caused when recording is not made normally or recorded contents cannot be played back because of a defect in the DVD video camera/recorder, disc or card. Also, Hitachi cannot be responsible for your recorded video and audio. If you or a third party make a mistake when handling this DVD video camera/recorder, disc, card, etc.

the recorded contents may be lost. We cannot be responsible for compensation for damage due to loss of recorded contents. Copyright: Data recorded on the disc or card in this DVD video camera/recorder using other digital/analog media or devices are protected by the copyright act and cannot be used without permission of the owner of copyright, except for personal enjoyment. Be aware that recording is restricted for some demonstrations, performances and exhibitions, even for personal enjoyment. 8 Be sure to set the power switch to "OFF" before cleaning this DVD video camera/recorder. Cleaning LCD screen and camera lens Use dry, soft cloth to wipe dirt off. When cleaning the LCD screen, be careful not to use force, scratch it, or subject it to impact: Doing such could cause a defect in the screen, result in display unevenness, or damage the LCD monitor. Do not use benzene or thinner to clean DVD video camera/recorder case The coating of case could peel off or the case could deteriorate. Wipe off dirt on the case with a moist cloth which has been completely wrung out. When using chemical cleaning cloth, follow instructions for use.

If dust adheres to the viewfinder lens, remove it using a cotton swab, etc. Do not rub the lens with force: Doing so could scratch the lens. HANDLING DISCS Using discs Discs are very delicate recording media. Carefully read the following cautions and observe them: Always use a brand new disc when recording important material.



[You're reading an excerpt. Click here to read official HITACHI DZ-GX5020A user guide](http://yourpdfguides.com/dref/3935367)
<http://yourpdfguides.com/dref/3935367>

.....
.....
..... 9 DISC CLEANING.....

.....
.....
.....
.....

.....
..... 10 English Initial Settings .

.....
.....
.....
.....
.....

.... 32 SWITCHING OPERATING SOUND ON OR OFF (BEEP)

.....
.....
.....
.....
.....
.....

..... 32 TURNING DVD VIDEO CAMERA/RECORDER OFF AUTOMATICALLY (POWER SAVE)
.... 32 CHANGING DISPLAY LANGUAGE (LANGUAGE) .

.....
.....
.....
.....
.....

..... 32 RESETTING MENU SETTINGS TO DEFAULTS (RESET)

.....
.....
.....
.....
.....
.....

.... 33 TURNING RECORD LED ON OR OFF (RECORD LED)

.....
.....
.....
.....
.....

.. 33 CHANGING SETTING OF DEMONSTRATION

.....
.....
.....
.....

.... 33 Read This First

.....
.....

..... 19 Setting Up the DVD Video Camera/Recorder..
19 HOLDING DVD VIDEO CAMERA/RECORDER.....

.....
.....

.. 19 ATTACHING SHOULDER STRAP ...

.....

..... 19 ATTACHING LENS CAP .

.....
.....
.....

. 20 Inserting and Removing Disc

.....

... 36 Inserting and Removing Card ..

.....
.....

..... 38 Basic Techniques Recording Movie .

.....
.....
.....

..... 39 Recording Stills

.....
.....
.....
.....

... 40 Swift Restart of Recording (SLEEP/RESTART button)..

.....
.....

. 41 Recording using LED Light (for DZ-GX5080A only)....

.....
.....

42 On-Screen Information

.....
.....
.....
.....

. 43 INFORMATION DISPLAY DURING RECORDING

.....
.....
.....
.....

... 43 Discs and Cards ..

.....

.....

.....

..... 50 RECORDING SUBJECTS FOR STRONGER WIDE-ANGLE OR TELEPHOTO EFFECT ..

..... 51 Setting Up the Battery.....

.....

.....

.....

.....

... 25 CHARGING BATTERY..

.....

.....

.....

.....

... 25 ATTACHING BATTERY TO DVD VIDEO CAMERA/RECORDER.....

.....

.....

.....

.....

26 REMOVING BATTERY

.....

.....

.....

..... 26 BATTERY REMAINING LEVEL INDICATOR.

.....

28 EFFICIENT USE OF BATTERY

.....

.....

. 28 Manually Focusing Subject...

.....

.....

.....

. 52 FOCUSING DURING RECORDING.



[You're reading an excerpt. Click here to read official HITACHI DZ-GX5020A user guide](http://yourpdfguides.com/dref/3935367)
<http://yourpdfguides.com/dref/3935367>

...
.....

. 52 Turning DVD Video Camera/Recorder On and Off.....

.....
.....

.....
.....

... 29 VIEWING IMAGE ON LCD MONITOR SCREEN.....

.....
.....
.....

.....
.....

... 30 VIEWING SUBJECT THROUGH VIEWFINDER

.....
.....
.....

.... 30 Adjusting Brightness of Image to be recorded (Exposure).

.....
.....

.....
.....

..... 54 Compensating for Backlight...

.....
.....

..... 54 Using Full Auto Function....

.....
.....

55 Setting Up Camera Functions.....

.....
.....

..... 56 SELECTING SHOOTING MODE TO MATCH THE SUBJECT (SWITCHING PROGRAM AE MODE)....

.....
.....

56 RECORDING DARK SUBJECTS USING LCD MONITOR LIGHT

.....
.....
.....

..... 57 ADJUSTING COLOR (WHITE BALANCE).....

.....

57 USING THE ELECTRONIC IMAGE STABILIZER (EIS).....

.....

.....

.....

.....

.....

.....

.....

.....

. 59 Setting Date and Time

.....

.....

.....

..... 31 CHANGING DISPLAY FORMAT OF DATE AND TIME ..

.....

.....

.....

.....

.....

.....

.....

.....

... 31 12 Setting Up Record Functions

.....

.....

.....

60 SWITCHING MOVIE QUALITY (VIDEO MODE)

.....

.....

.....

.....

.....

... 60 SETTING TO WIDE TV SCREEN MODE (16:9 MODE)..

.....

.....

.....

.....

.....

.....

. 61 SWITCHING QUALITY OF STILL IMAGE (QUALITY)

.....

.....

.....

.....

.....

.....

..... 63 SELF-TIMER ...

.....

.....

.....

.....

.....

.....

.....

.....

.. 63 SETTING ON-SCREEN DISPLAY OUTPUT ON OR OFF (OSD OUTPUT).....
.....
.....
..... 64 WHAT IS "PROGRAM"? .
.....
.....
.....
.....87 SWITCHING TO THUMBNAIL DISPLAY OF SPECIFIC DATE (SELECT) ...
.....
.....
.....87 PLAYING BACK PROGRAM (PLAY)
.....
...88 CHANGING TITLE OF PROGRAM (TITLE)

..88 Play List.....
.....
.....
.....
.....
.....
.....

. 90 WHAT IS "PLAY LIST"?......
.....
.....
.....
.....

90 CREATING NEW PLAY LIST (CREATE)
.....
..90 SWITCHING TO DISPLAY OF EACH PLAY LIST (SELECT).....
.....
.....
.....
.....
.....
.....

91 PLAYING BACK A PLAY LIST (PLAY).....

.....91 ADDING SCENES TO PLAY LIST (EDITING PLAY LIST)
.....
.....
.....
.....

....92 DELETING SCENES FROM PLAY LIST (EDITING PLAY LIST) .
.....
.....
.....
.....

..93 ADDING SCENES USING SUBMENU FOR EDITING (EDITING PLAY LIST).....
.....
.....

93 DELETING SCENES USING SUBMENU FOR EDITING (EDITING PLAY LIST).....

.....

.....94 SELECTING SCENES USING SUBMENU FOR EDITING (EDITING PLAY LIST)..

.....

.....

.....

.94 ARRANGING ORDER OF SCENES (MOVE)95 CHANGING TITLE OF PLAY LIST (TITLE)....

.....

96 DELETING PLAY LIST (DELETE).....

.....

.....96 Disc Navigation Using Disc Navigation ..

.....

.....

.....

.....

.....

.65 STARTING OR TERMINATING DISC NAVIGATION....

.....

.....

.....

.....

.....

..... 65 PLAYING BACK FROM DISC NAVIGATION SCREEN..

.....

.....

.....

.....

.....

.....

.....

..... 67 ADJUSTING VOLUME DURING PLAYBACK ...

.. 67 PLAYING BACK LATEST RECORDED SCENE ...

.....

.....

.....

.....

.....

.....

.....

... 68 DELETING LAST RECORDED SCENE..

.....

..... 68 CAPTURING PHOTO...

.....

.....

.....

.....

..... 69 SEARCH PLAYBACK OF MOVIE .

.....

.....

.....

.. 69 FRAME ADVANCE/FRAME BACK/SLOW PLAYBACK OF MOVIE

.....

.....

.....

..... 69 SKIP PLAYBACK OF MOVIE ..

.....
.....

..... 70 PLAYING BACK STILLS ..

.....
.....

.....
.....
70 JUMPING TO SPECIFIED POINT (GO TO).....
... 71 INFORMATION DISPLAY DURING PLAYBACK.....

.....
.....
.....

.....
.....
... 72 SELECTING MULTIPLE SCENES ..

.....
.....

73 SELECTING CONSECUTIVE SCENES TOGETHER.....

.....
.....

.....
.....
.....

... 73 FUNCTIONS AVAILABLE WITH DISC NAVIGATION.....

.....
.....

.....
.....

..... 74 UNDERSTANDING FLOW OF DISC NAVIGATION MENU

.....
.....
.....

..... 75 Go To

.....
.....

.....
.....
.....

..... 97 TOP (END) ..

.....
.....
.....

.....
.....
.....

.....97 Disc or Card Management

.....
.....
.....

..... 97 INITIALIZING DISC OR CARD (FORMAT DISC. FORMAT CARD) ...

.....
.....

.....97 PROTECTING DISC FROM WRITING (PROTECT DISC).....

.....
.....
.....
.....

98 VERIFYING REMAINING FREE SPACE ON DISC OR CARD (CAPACITY)

.....
.....

.....98 UPDATING CONTROL INFORMATION OF DVD-RAM/DVD-RW (VR-MODE) DISC (UPDATE CONTROL INFO.)..

.....
.....
.....

.....99 FINALIZING DVD-RW/DVD-R/+RW DISC (FINALIZE DISC)

.....
.....
.....

...100 ADDITIONALLY RECORDING ON FINALIZED DVD-RW (VF-MODE)/+RW (DISC UNFINALIZE) .

.....
.....

.....
.....

.....101 Scene ..

.....
.....
.....
.....

.....
.....

.....
.....

.77 DELETING SCENES (EDIT DELETE)

.... 77 DIVIDING MOVIES (EDIT DIVIDE) .

.....
.....

.. 78 COMBINING MULTIPLE SCENES (EDIT COMBINE)

.....
.....
.....

.....
.....

.... 79 ARRANGING ORDER OF SCENES (EDIT MOVE).

.....

.....
.....
.....
.....
.....

... 79 DIRECTING SCENES EFFECTIVELY (EFFECT FADE).....

.....
.....
.....

.. 80 PLAYING BACK BY SKIPPING SCENES (EFFECT SKIP) ...

.....
.....
.....
.....

.. 81 CHANGING IMAGES FOR THUMBNAI LS (EFFECT THUMBNAI L).....

.....
.....
.....

..... 82 COPYING STILLS ON DVD-RAM DISC TO CARD (COPY)

.....
.....
.....

..... 83 LOCKING SCENES ON CARD (LOCK)

..... 84 SELECTING SCENES USING MENU SCREEN (SELECT) .

.....
.....
.....
.....
.....
.....
.....

..... 85 DISPLAYING INFORMATION USING MENU SCREEN (DETAIL)...

.....
.....
.....

.... 86 Others.

.....
.....
.....
.....

.... 102 DISPLAYING MOVIES OR STILLS INDEPENDENTLY (CATEGORY) .

.....

.....102 PLAYING BACK SCENES REPEATEDLY (REPEAT PLAY) ...

.....
.....
.....

..102 PLAYING BACK WIDE-MODE IMAGES ON 4:3 DISPLAY TV (TV TYPE).....

.....
.....

....103 SLIDE SHOW (CONTINUOUS PLAYBACK OF STILLs).

.....
.....
.....
.....

...103 Viewing on TV Screen..

.....
.....
.....
.....

... 104 CONNECTING TO A TV.....

.....
.....
.....

.....104 VIEWING ON TV SCREEN .

.....
.....
.....
.....

105 Playback on DVD Recorder/Player

.....
.....

106 PLAYING BACK DVD-RAM/DVD-RW (VR-MODE) DISC

.....
.....
.....
.....

.....106 PLAYING BACK DVD-RW (VF-MODE)/DVD-R/ +RW DISC ..

.....
.....
.....
.....

..106 13 English RECORDING SUBJECT USING LARGE MAGNIFICATION (DIGITAL ZOOM)

..... 59 REDUCING WIND NOISE DURING RECORDING (MIC.FILTER) .

.....
.....
.....
.....
.....

.....
.....

59 Program.....

.....
.....
.....

.....
.....
.....

..... 87 TOC Recording (Dubbing) Images.

.....
.....
.....

.... 107 English RECORDING (DUBBING) IMAGES ON OTHER VIDEO DEVICES.....

.....
.....
.....
.....

..... 107 Connecting to PC (DZ-GX5080A) Software Provided ..

.....
.....
.....

.....
.....
.....

.... 108 Requirements of available PC .

.....
.....
.....

.. 109 Installing Software ...

.....
.....
.....

.....
.....
.....

... 110 Connecting to PC via PC Connection Cable.....

.....
.....
.....
.....

.....
.....
.....

.. 113 USING DISC IN DVD DRIVE BUILT INTO PC

.....
.....
.....
.....

.....
.....
.....

.... 116 BEFORE TERMINATING PC CONNECTION (UNPLUGGING PC CONNECTION CABLE)/ CHANGING OVER POWER SWITCH .

..... 117 Using ImageMixer 3 for Windows .

.....
.....
.....

.. 118 VIEWING IMAGES RECORDED ON DISC USING PC ...

.....

.....
128 POWER SUPPLY.....

.....

.....

.....

.....

.....

. 128 Trouble Messages

.....

.....

.....

.....

.. 129 Troubleshooting ...

.....

.....

.....

.....

.....

..... 135 System Reset ...

.....

.....

.....

.....

.....

.....

142 Major Specifications.....

.....

.....

.....

.....

.... 143 STORAGE CAPACITY OF DISC

.....

.....

. 145 SIZE AND QUALITY OF PHOTOS

.....

..... 145 RECORDABLE STILL (PHOTOS) ON CARD

.....

.....

.....

.....

.....

.....

.....

145 To Order in the United States

.....

.....

.... 146 To Order in Canada

.....

.....

.....

.....

... 146 Index

.....

.....

.....
.....
.....
.....
.....

..... 147 Be sure to read the following before opening the package of CD-ROM.....

.....
.....
.....

.... 149 14 Make sure that you have all the following accessories in package: Battery (model DZ-BP07PW): Portable power supply for this DVD video camera/recorder. Charge it before use. AC adapter/charger (model DZ-ACS3): Used to power the DVD video camera/ recorder from AC outlet, or charge battery. DC power cord: When powering the DVD video camera/ recorder from household AC outlet, use this cord to connect the DVD video camera/recorder and AC adapter/charger. Power cable: AV/S output cable: Shoulder strap: Connect between household AC outlet and Used when viewing the picture played back Attach to the DVD video camera/recorder AC adapter/charger. on the DVD video camera/recorder on TV to hang it from shoulder. screen, or output video to another video device. Lens cap and lens cap string: Attach the lens cap when not recording, to protect the lens. Software CD-ROM: For DZ-GX5080A only. Use this CD-ROM when connecting the DVD video camera/recorder to PC. PC connection cable: For DZ-GX5080A only. Use this cable when connecting the DVD video camera/recorder to PC. Disc cleaning cloth: Always use this to clean discs. 15 English Checking Provided Accessories Names of Parts 6 English 5 1 2 7 3 8 4 (Inside the cover) 9 6 Zoom lever (p. 50, 52, 67) To adjust the zoom or volume. 7 PC connection terminal (TO PC) (for DZGX5080A only) (p. 113) 8 AV output jack (p. 104, 107) 9 Wide-screen color liquid crystal display (inside) (p. 30) Although the external appearances of DZGX5080A, DZ-GX5020A and DZ-GX5000A are different, the method of operating these models is identical. DZ-GX5080A illustrations are used in this manual. 1 LED light (for DZ-GX5080A only) (p. 42) 2 Lens cap string attachment hole (p. 20) 3 Stereo microphone Take care that the microphone is not blocked by a hand, etc., during recording. 4 Recording indicator (p. 33) The red indicator will light during recording.

5 Optical 25 zoom lens (for DZ-GX5000A only) Optical 30 zoom lens (for DZ-GX5080A /GX5020A only) (p.



[You're reading an excerpt. Click here to read official HITACHI DZ-GX5020A user guide](http://yourpdfguides.com/dref/3935367)
<http://yourpdfguides.com/dref/3935367>

50) 16 17 10 Viewfinder (p. 30) 18 19 20 21 22 17 BATTERY EJECT button (p. 26) Press this button when removing the battery. 18 Battery attachment platform (p. 26) 19 Record button (REC) (p. 39) 11 Diopter control (p. 30) To adjust the focus of image appearing in the viewfinder. (Pull out the viewfinder.) 12 SLEEP/RESTART button (p. 41) To switch the sleep/restart status between ON and OFF. 13 ACCESS/PC indicator (for DZ-GX5080A only) ACCESS indicator (for DZ-GX5020A/GX5000A only) (p. 7, 39, 40) Will blink or light when the disc in DVD video camera/recorder is accessed (write or read is executed) or the DVD video camera/recorder is connected to PC. 14 PHOTO button (p. 40) 15 DISC EJECT button (p. 36) Press down and release this button to open the cover of disc insertion block. 16 Disc insertion block (p. 36) 20 LOCK switch (p. 39) It is recommended that you set the LOCK switch to L (to the upper position) to prevent the power switch in the "O" position from accidentally moving to "N". 21 Power switch (p. 29) 22 Hand strap (p. 19) 17 English 10 11 12 13 14 15 16 23 24 25 26 27 28 29 English 30 26 SELECT button (p. 73) 30 Speaker (p. 67) 31 32 33 34 35 36 37 38 39 23 FULL AUTO (p. 55) To switch the DVD video camera/recorder to full automatic. 24 FOCUS button (p. 52) To switch between manual focus and autofocus. 25 MENU button (p. 48, 78) Press this button to display the menu for setting camera functions and Disc Navigation. 27 DISC NAVIGATION button (p. 65) 28 STOP/EXIT button (p. 11, 48, 68) To end playback or cancel setting of menu. 29 EXPOSURE button (p. 54) Press this button to adjust the exposure. 31 RESET button (p. 142) To reset all settings to defaults (status when the DVD video camera/recorder was shipped from the factory). 32 DISPLAY (Screen display) button (p. 43, 72) Press this button to display the details of image being played back or camera setting status, or switch the display off. 33 CARD ACCESS indicator (p. 7, 40) 34 QUICK MENU buttons (p. 48) To display only the functions that you frequently use (simple menus). 35 FINALIZE button (p. 100) Press this button to finalize the recorded DVD-RW/DVD-R/+RW. 36 Card insertion block (p. 38) 37 BLC (backlight compensation) button (p. 54) Press this button when subject is being lighted from rear. 38 f / e / d / c / A buttons (p. 31, 42, 48, 52, 54, 68, 69, 70) Use these buttons to select a scene or menu item, and then press the center (A) to play back the scene, or designate an option from the menu. These buttons are to adjust exposure or focus, and switch the LED light (DZ-GX5080A) on and off. 39 Tripod threaded hole Used to attach the DVD video camera/recorder to a tripod. 18 This section explains preparations for recording setting up the DVD video camera/recorder and battery. Demonstration Function This DVD video camera/recorder is equipped with a demonstration function. The default at purchase time is "Auto", which will automatically start the demonstration approx. three minutes after the DVD video camera/recorder is turned on. Refer to "CHANGING SETTING OF DEMONSTRATION" on page 33 if you wish to view the demonstration immediately or change the setting to "Off". Setting Up the DVD Video Camera/Recorder HOLDING DVD VIDEO CAMERA/RECORDER Insert your right hand from the bottom of DVD video camera/recorder up to the base of your thumb. Put your hand in a position where you can easily operate the REC button and the Zoom lever. Adjust the length of hand strap so that the DVD video camera/recorder is stable when you press the REC button with your thumb. ATTACHING SHOULDER STRAP Be sure to pass through the 2 slots. Pass the shoulder strap through the shoulder strap attachments. 19 English Setups ATTACHING LENS CAP English 1 Attach the shorter end of lens cap string to the lens cap. 2 Attach the longer end of lens cap string to the attachment hole of DVD video camera/recorder. Shorter end Longer end 3 Push the both sides of cap inward and attach it over the lens. Push and fit Note: Always keep the lens cap on when not using the DVD video camera/recorder, to protect the lens. When recording, attach the lens cap to the hand strap by hooking the tab inside the cap onto strap for comfortable shooting. 20 The following table lists the storage media (discs and cards) that can be used on this DVD video camera/recorder and the functions which are available with them: Media Function DVD-RAM *1 *4 -- *6 *6 -- DVD-RW DVD-RW (VR mode) (VF mode) -- *1*2 -- *6*7 *6*7 --- *2 -- *5 *6*7 *6*7 *6 DVD-R --- *2 --- *6*7 *6*7 *6 +RW --- *1*2 -- *5 *6*7 *6*7 -- SD memory card --- *3 *4 --- To record video (p. 39) To record photo (p. 40) To delete image just recorded (p. 68) To select image and delete it (p. 77) To edit image (p. 78 79) To play on other DVD players and DVD recorders (p. 100) To use new disc or new card without formatting To initialize and reuse (p. 97) To additionally record on finalized disc To edit copied video on PC *8 To playback video on PC *8 To create DVD video using PC *8 : Functions available; --: Not available *1: *2: *3: *4: *5: *6: *7: *8: Playable on devices that conform to either 8 cm DVD-RAM, 8 cm DVD-RW (VR mode) or 8cm +RW. Must be finalized. Cannot be played on some DVD players or DVD recorders. Some DVD devices conform to SD memory card. When media that are sold "formatted" are used. If the initialization format differs, the media can be initialized on this DVD video camera/recorder and then used. To additionally record, the finalized disc must be unfinalized. The provided software is used. Finalize the disc when editing/playing back on PC. DZ-GX5020A/GX5000A cannot be connected to a PC. 21 English Discs and Cards AVAILABLE DISCS Usable discs and logos DVD-RAM Ver. 2.1 (8 cm) English Function Allows you to delete unnecessary scenes or edit scenes. Also allows you to record photos. Allows you to choose the VR mode for deleting unnecessary scenes or editing scenes, or the VF mode in which deletion or editing is not possible, but high compatibility with DVD players is provided *1. Provides high compatibility with DVD players *1. No deletion or editing is possible. DVD-RW [Ver1. 1 (8 cm) 2x speed (2x/1x)] DVD-R [for General Ver. 2.0 (8 cm)] +RW Ver. 1.2 (8 cm) Provides high compatibility with DVD players but does not need to be finalized *2. Scenes can be deleted immediately after being recorded. *1 *2 Playback on all DVD players is not guaranteed. The disc must be finalized before being played back on a DVD player. Playback on all DVD players is not guaranteed. This DVD video camera/recorder can use only the 8-cm bare discs not packed in a square cartridge, square caddy case or round DVD holder. The discs in a square cartridge, square caddy case or round DVD holder can be used if they are removed from the package, but take great care not to dirty or scratch the bare disc.



[You're reading an excerpt. Click here to read official HITACHI DZ-GX5020A user guide](http://yourpdfguides.com/dref/3935367)
<http://yourpdfguides.com/dref/3935367>

Note: It is recommended that you use Hitachi Maxell HG type single-sided discs, since their compatibility with this DVD video camera/recorder has been confirmed. When using an HG type double-sided disc, take great care with handling it. Using a disc other than these discs may not allow the DVD video camera/recorder to deliver optimum performance. INFORMATION ON DVD-R DISC For optimum recording on DVD-R disc, this DVD video camera/recorder writes control data to the disc in order to automatically make adjustments when it is inserted and ejected accompanying recording.

If the disc has no area to be written for adjustment, recording may not be possible. To prevent this, do not insert or eject a DVD-R disc accompanying recording more than 100 times. This DVD video camera/recorder cannot record a DVD-R in the VR mode. NOTES ON FINALIZATION Do not insert a DVD-RW (VF-mode)/DVD-R disc recorded on this DVD video camera/recorder but not finalized, into a recordable device, such as a DVD recorder: The recorded data may be damaged (except for devices that allow playback of a DVD-RW (VF-mode)/DVD-R disc not finalized on this DVD video camera/recorder). Use only DZ-GX5080A/GX5020A/GX5000A to record on or finalize a DVD-RW (VF-mode)/DVDR/+RW disc recorded on this DVD video camera/recorder but not finalized: Using any other device could damage the data recorded on the disc.

DVD-RW/DVD-R/+RW discs edited and finalized on PC or those finalized on another DVD recorder may not be playable on this DVD video camera/recorder, depending on the editing software used or recorded status of DVDRW/DVD-R/+RW disc. If you insert a DVD-R disc recorded on a DVD video camera/recorder other than DZ-GX5080A/ GX5020A/GX5000A and not finalized, the Disc Navigation screen will automatically start, and no recording can be done on the disc nor can it be finalized. Do not insert a DVD-R that was recorded by a DVD recorder manufactured by a company other than Hitachi, and which has not been finalized, in this DVD video camera/recorder: Doing so will make the disc unusable. 22 CD CD-R CD-RW CD-ROM DVD-ROM DVD-Video DVD-R (4.7 GB) for Authoring Ver. 2.0 DVD-R DL (Dual Layer) DVD-RW DL (Dual Layer) +R DL (Double Layer) +RW DL (Double Layer) +R Discs other than those with diameter of 8 cm AVAILABLE CARDS SD memory card can be used on this DVD video camera/recorder (incompatible with 2GB). When using an exclusive adapter, a miniSD memory card can be used in the same way as an SD memory card. No SDHC card or multimedia card can be used. COMMON CAUTIONS FOR DISC AND CARD It is recommended that you create a backup file for valuable data on hard disk of PC.

Do not do the following, or the data on disc or card may be damaged or lost: - Do not remove the disc or card or turn DVD video camera/recorder off during reading or writing of data - Do not use DVD video camera/recorder in a place subject to static electricity or electrical noise - Do not have printing done at a print lab or DPE service - Do not leave a disc unused in the DVD video camera/recorder for a long time Note: This DVD video camera/recorder can play back image data recorded on other digital cameras conforming to the DCF (Design rule for Camera File system) standard. The range of image data playable on this DVD video camera/recorder is that with pixels from 80 horizontal 60 vertical to 4000 horizontal 3000 vertical. DCF is an integrated image file format of digital cameras: Image files can be used on all digital devices conforming to DCF. Image data edited on PC and certain types of image data may not be visible on this DVD video camera/ recorder. The image data recorded on another device may not be playable on this DVD video camera/recorder. Handling card Do not use cards other than the designated ones. Be sure to perform trial recording before recording vital images. Do not touch the card terminal or allow it to touch Terminal metal. Do not paste anything other than exclusive label on label pasting portion. Do not subject card to impact, bend or drop it.

Do not disassemble card or modify it. Do not expose card to water. Do not use or store card in the following places: - Where the temperature is high, such as in vehicle at high temperatures, under burning sun or near a heater - Where humidity is high, or in dusty place When the erasure prevention switch is locked, no recording, deletion or editing will be possible on the card: Only playback will be possible. Note when transferring or discarding discs and memory cards "Formatting" or "deletion" using the functions of DVD video camera/recorder or PC will change only the file control information: It will not completely delete the data on disc or memory card. When transferring or discarding a disc or memory card, it is recommended that you physically destroy it or use deletion exclusive software (generally available) to completely delete the data on it.

It is user's responsibility to control the data on disc and memory card. Erasure prevention switch Locked status 23 English EXAMPLES OF DISCS THAT CANNOT BE USED ON THIS DVD VIDEO CAMERA/RECORDER Preparations for Power Supply USING DVD VIDEO CAMERA/RECORDER WITH AC ADAPTER/CHARGER It is recommended that you use the AC adapter/charger to power the DVD video camera/recorder from household AC outlet when you perform settings on it, play back or edit images, or use it indoors. Note: Be sure to use the specified AC adapter/charger (DZ-ACS3) to power the DVD video camera/recorder. Using other AC adapter/chargers could cause electric shock or result in fire. English Power cable 1 4 3 2 AC adapter/charger DC power cord 1 Connect the power cable to AC adapter/ charger.

2 Plug the power cable into AC outlet. 3 Plug one end of DC power cord into the DC output jack on AC adapter/charger. 4 Attach the other end of DC power cord to the battery attachment platform on DVD video camera/recorder. Use the same procedure as that for battery when attaching and detaching the DC power cord: See page 26. 24 The DZ-BP07PW battery provided with DZ-GX5080A/GX5020A/GX5000A has not been charged at purchase time: Charge it before using the DVD video camera/recorder. Note: Be sure to use the DZ-BP07PW, DZ-BP14SW (optional) or DZ-BP7SW (optional) battery for the DVD video camera/recorder: Using other batteries could cause the DVD video camera/recorder to malfunction, or result in fire. Be sure to use the DZ-ACS3 AC adapter/charger to charge the battery: Using other chargers could cause electric shock or fire. Charge the battery at temperatures of 50 86F (10 30C). If the CHARGE indicator does not light when the AC adapter/charger is plugged into AC outlet, unplug it from the AC outlet, wait a few moments, and then plug it into the AC outlet again. If the CHARGE indicator still does not light, the AC adapter/charger may be faulty.

Unplug it from the AC outlet and consult your dealer.



[You're reading an excerpt. Click here to read official HITACHI DZ-GX5020A user guide](http://yourpdfguides.com/dref/3935367)

<http://yourpdfguides.com/dref/3935367>

The AC adapter/charger can be used around the world. An AC plug adapter is required in some foreign countries. If you need one, purchase it from your local electronics distributor. AC 200 240V AC Plug Adapter (not supplied) CHARGING BATTERY Use the provided AC adapter/charger to charge the battery. 1 Connect the power cable to AC adapter/charger. 2 Attach the battery to AC adapter/charger. Note: When charging a battery, unplug the DC power cord from the DC output jack on AC adapter/charger. 3 Plug the power cable into AC outlet. Battery Power cable CHARGE indicator AC adapter/charger DC output terminal 25 English Setting Up the Battery Battery charged status You can find out the charged status of battery by checking the CHARGE indicator on AC adapter/charger: Charge status During charge Charge complete Note: See "Troubleshooting" on page 135 when the CHARGE indicator blinks.

English CHARGE indicator Lit Goes out Reference for time required to charge battery (at approx. 77F (25C)) DZ-BP07PW (provided)/DZ-BP7SW (optional): Approx. 90 minutes DZ-BP14SW (optional): Approx. 165 minutes The charge time will vary depending on the remaining power level of battery. ATTACHING BATTERY TO DVD VIDEO CAMERA/RECORDER 1 Fit the battery to the battery attachment platform on this DVD video camera/recorder and slide it downward until a click is heard.

Note: Make sure that the battery is in the correct orientation. Make sure that the battery is securely attached: Incomplete attachment could cause the battery to fall, resulting in damage. Terminal side must be down. REMOVING BATTERY After using the DVD video camera/recorder, remove the battery from it. 1

While holding down the BATTERY EJECT button, slide the battery upward to remove it.

Note: For safety, be sure to turn the DVD video camera/recorder off before attaching or removing the battery. Be careful not to drop the removed battery. If the battery remains attached, minute level current will flow even if the DVD video camera/recorder is off, and the battery will discharge. Set the power switch to OFF before removing the battery. 26 See the following table as a reference for how long the DVD video camera/recorder can continuously be used with a fully charged battery: With DZ-BP07PW (provided)/DZ-BP7SW (optional) Video mode XTRA* When using viewfinder When using LCD monitor When using viewfinder FINE When using LCD monitor When using viewfinder STD When using LCD monitor approx. 85 min approx. 75 min approx. 100 min Continuous use time approx. 85 min approx. 75 min approx.

85 min With DZ-BP14SW (optional) Video mode XTRA* When using viewfinder When using LCD monitor When using viewfinder FINE When using LCD monitor When using viewfinder STD When using LCD monitor approx. 170 min approx. 150 min approx. 210 min Continuous use time approx. 170 min approx. 150 min approx. 170 min * The time is only for reference: It will vary depending on recording contents. The reference for how long the DVD video camera/recorder can actually be used will be approx. 1/2 to 1/3 of the above time: The continuously recordable time of DVD video camera/recorder in the above table shows the time available when the DVD video camera/recorder is in the recording mode without using any other function after recording is started. In actual recording, the battery will discharge 2-3 times faster than this reference, since the REC button and zoom are being operated, and playback is performed.

Assume that the actually recordable time with a fully charged battery is between 1/2 and 1/3 of the above time, and prepare enough batteries to allow for the time you are planning to record on the DVD video camera/recorder. The continuously recordable time may be less depending on the conditions when the DVD video camera/recorder is used (if recording and recording pause are repeated at short intervals, etc.). Note that the battery discharges faster in cold places. Note: See "Troubleshooting" on page 135 when charging is not possible.

The charge time will vary depending on the battery remaining level. During and after charging, and when the DVD video camera/recorder is being used, the battery will be warm, but this does not indicate a fault. A battery cannot be charged while the DC power cord is connected to the DC output jack of AC adapter/charger: Unplug the DC power cord when charging a battery. Charge the battery at ambient temperature 50F to 86F (10C to 30C): Charging at temperatures other than this range could damage the battery. 27 English Continuously recordable time with fully charged battery (with no zoom operation, etc.

) BATTERY REMAINING LEVEL INDICATOR When the battery is used to power the DVD video camera/recorder, the battery remaining level appears in the viewfinder or on the LCD screen as follows: Fully charged Nearly empty English White portion shows remaining level (Blinks) EFFICIENT USE OF BATTERY The battery will slightly discharge even if it is detached from the DVD video camera/recorder. If the battery is left attached to DVD video camera/recorder, it will consume a slight amount of power. Therefore, it is recommended that you charge the battery shortly before using the DVD video camera/recorder, usually on the day before you plan to use it. When not using the DVD video camera/recorder for an extended period: It is recommended that you fully charge the battery once a year, attach it to DVD video camera/recorder and use it up; then remove the battery and store it in a cool place again. Battery life: The battery life varies greatly depending on the ambient environment and how often the DVD video camera/recorder is used. If the usable time of DVD video camera/recorder with a fully charged battery is noticeably short, the battery is probably dead: Purchase a new one. Power save and discharge of battery: It is recommended that you turn the DVD video camera/recorder off in status other than recording, since even during recording pause battery power is consumed at the same level as during recording. If, when you specify Power Save On, the recording pause status continues for approximately 5 minutes, the DVD video camera/recorder will automatically turn off. To set or release power save, see "TURNING DVD VIDEO CAMERA/RECORDER OFF AUTOMATICALLY (POWER SAVE)" on page 32. 28 Turning DVD Video Camera/Recorder On and Off While holding down the gray button at the right of power switch, set the switch according to each recording function: Note: Once you turn the DVD video camera/recorder on to let it recognize the disc, you can immediately record or play back by turning the DVD video camera/recorder on again.

However, if a long time has elapsed after the disc was inserted, it will take some time for the DVD video camera/recorder to start because it must recognize the disc again (see "Troubleshooting" on page 135). It will take some time for the DVD video camera/recorder to display the Disc Navigation screen after power is turned on.



[You're reading an excerpt. Click here to read official HITACHI DZ-GX5020A user guide](http://yourpdfguides.com/dref/3935367)
<http://yourpdfguides.com/dref/3935367>

When the DVD video camera/recorder is turned on, the self-diagnosis function will work and a message may appear. In this case, refer to "Trouble Messages" on page 129 and take corrective action. Set to "OFF": The DVD video camera/recorder will turn off. Set to "P": To record still on SD memory card. Set to "O": To record movie on DVDRAM/DVD-RW/DVD-R/+RW disc. Set to "N": To record still on DVDRAM disc. Power ON status During playback, set the power switch to "O" or "N" when using disc, or set it to "P" when using card. Turn the switch while holding down the gray button at the right of switch. Power switch 29 English VIEWING IMAGE ON LCD MONITOR SCREEN If you open the LCD monitor, you can monitor subject image on the LCD screen. VIEWING SUBJECT THROUGH VIEWFINDER English 1 Open the LCD monitor. The LCD monitor has a portion where you can hook your finger.

Hook the finger there to open the monitor.

1 Pull out the viewfinder. 2 Turn the diopter control knob to adjust the focus to suit your eyesight. Note: If no image appears in viewfinder, refer to "Troubleshooting" on page 135. If the LCD monitor is opened approximately 90, the viewfinder will be off: Turn the open LCD monitor 180 so that it faces the same direction as the lens; the image will appear in the viewfinder. Focusing will not be correct unless the viewfinder is pulled out. See "LCD/EVF Setup" (on page 35) if you wish to display images in the viewfinder regardless of whether you open or close the LCD monitor. Diopter control Viewfinder Range where the LCD monitor can be moved The LCD monitor can be opened up to approximately 90. If the LCD monitor is open 90, it can be tilted with the screen down as much as 90, and can also be tilted with screen up and turned up to 180 so the screen faces in the same direction as the lens. If the LCD monitor is turned 180 so the screen faces in the same direction as the lens during recording, subject image will also appear in the viewfinder as a mirror image (left/right reversed). Tilt the LCD monitor to adjust its vertical angle so that you can see the screen easily.

Note: If no image appears on LCD monitor screen, refer to "Troubleshooting" on page 135. If LCD monitor lights white, refer to page 57. Be sure to open the LCD monitor approximately 90 before changing its vertical angle. Do not record for a prolonged time with the LCD monitor turned approximately 180 in close contact with the DVD video camera/recorder body: Doing this could cause the DVD video camera/recorder and LCD monitor to become hot. Pull out the viewfinder until a click is heard. 180 90 Hook your finger (Bottom) 30 1<>2/3 Setting Date and Time Set the current date and time so that the date and time you make a recording can be recorded correctly. The following procedure can also be used to correct the date and time you have already set. Use f/e/d/c buttons to select, and then press A to designate. 1 Press the MENU button, use the f/e/d/c buttons to choose "Date Setup" and then "Date Set". Press the f or e button to select the number for current date/time, and then repeat step 3 to set the current date and time.

Note: To stop date/time setting midway, press the C button. 2 Press the c button. Date Setup Date Set Date Mode 1 / 1 / 2007 1 2 : 0 0AM The figure for the month will be selected. ENTER RETURN [The digit that is highlighted first depends on the date display format (set up in Date Mode): The digit on the left end of the date display will be first highlighted.] Note: After setting the figure for the month, press the c button to select the digit to be set. If you press the A button after selecting the figure for the month, the screen for verifying the set date will appear instead of screen for setting day, year or time. 4 After setting the current date and time, press the A button. The screen for verifying the set date will appear. Date Set 2 / 1 0 / 2 0 0 7 8 : 0 0AM Date set up? YES ENTER NO 5 If the displayed date and time are correct, press the d button to choose "YES", and then press the A button. The date and time will be set, and the DVD video camera/recorder will enter the recording pause status.

Choosing "NO" will restore the menu screen. 3 Press the d or c button to select the digit you want to set in sequence. Date Setup Date Set Date Mode 2 / 1 0 / 2007 1 2 : 0 0AM ENTER RETURN CHANGING DISPLAY FORMAT OF DATE AND TIME You can select one of three date display formats: month/day/year, day/month/year or year/month/day. Choose "Date Mode" on the "Date Setup" menu screen in procedure 1, and then set to the desired date display mode. Note: This DVD video camera/recorder incorporates a rechargeable battery to store the date and time in memory.

If this built-in battery is exhausted, the date and time will be reset. To prevent this, connect the AC adapter/charger to DVD video camera/recorder every 6 months, and leave them for at least 24 hours with the DVD video camera/recorder turned off: The built-in battery will be charged. 31 English 1<>2/3 English Initial Settings Press the MENU button, and then use f/e/d/c/A to display the "Initial Setup" menu screen. See page 48 for detailed operation procedure. Press the MENU button again to exit setting.

SWITCHING OPERATING SOUND ON OR OFF (BEEP) Select "On" or "Off", and Initial Setup On Beep then press the A button. Off Power Save Recor d LED On: Beep will be heard Language Demo Mode Reset when the power ENTER RETURN switch is changed over, the REC button is pressed in the Video mode, the SLEEP/START or EJECT button is pressed, etc. Off: No beep is heard. Note: The "Beep" setting will be stored in memory even when the DVD video camera/recorder is turned off. TURNING DVD VIDEO CAMERA/RECORDER OFF AUTOMATICALLY (POWER SAVE) Select "On" or "Off", and Initial Setup On Beep then press the A button. Off Power Save Recor d LED On: To engage power Language Demo Mode Reset save. If the DVD ENTER RETURN video camera/recorder is left in the recording pause status without being operated for 5 minutes, it will automatically turn off to prevent the battery from discharging needlessly. Off: To cancel power save. Note: To turn the DVD video camera/recorder on again from automatic off activated by the power save function, set the power switch to "OFF", and then set it to "O", "N" or "P". The Power Save setting will not appear in the onscreen information display.

If the sleep/start standby status continues for 30 minutes, the DVD video camera/recorder will automatically turn off regardless of the Power Save setting.



[You're reading an excerpt. Click here to read official HITACHI DZ-](#)

[GX5020A user guide](#)

<http://yourpdfguides.com/dref/3935367>

CHANGING DISPLAY LANGUAGE (LANGUAGE) You can change the language used to display the menu and information. The following shows that English is changed to French. 1 Press A or c with the screen shown on the right displayed: The "Language" screen will appear. In i t i a l Setup Be e p Powe r S a v e R e c o r d LED L a n g u a g e Demo Mode Re s e t ENTER RETURN On Off On English Auto Re s e t Note: The language setting will be stored in memory even when the DVD video camera/recorder is turned off. 2 Choose "Franais", and then press A. The display will change to French. L a n g u a g e E n g l i s h Espaol I t a l i a n o F r a n a i s Deutsch ENTER RETURN 32 You can restore menu settings to defaults (initial settings at the factory (p. 142)). (Note, however, that the date/time will not be reset.

) 1 Choose "Reset" on the "Initial Setup" menu screen, and then press the A button. In i t i a l Setup Be e p Powe r S a v e R e c o r d LED Language Demo Mode Re s e t ENTER RETURN 2 If you are sure that you On Off On English Auto Re s e t wish to reset, use the d button to choose "YES", and then press the A button. Re s e t ? YES ENTER NO The screen for verifying reset will appear. The setting items have now been reset to defaults. Note: To cancel resetting midway, choose "NO" on the screen for verification in step 2 or press the C button.

TURNING RECORD LED ON OR OFF (RECORD LED) You can switch off the recording indicator on the front of DVD video camera/recorder even during recording. Select "On" or "Off", and In i t i a l Setup On On Be e p then press the A button. Of f Powe r S a v e R e c o r d LED On: The recording Language Demo Mode Re s e t indicator will light ENTER RETURN red to show that the DVD video camera/recorder is recording. Off: The recording indicator will not light even during recording. Note: The Record LED setting will not appear in the onscreen information display.

The Record LED setting will be stored in memory even when the DVD video camera/recorder is turned off. Specify "Record LED: Off" when recording a subject behind a glass or water tank that reflects light: The reflected light of the recording indicator will not be recorded. Even if "Record LED Off" is specified, the recording indicator will light while the self-timer is counting down. **CHANGING SETTING OF DEMONSTRATION** 1 Press the MENU button, choose "Initial Setup", "Demo Mode", and then press the A button. In i t i a l Setu p Be e p Powe r S a v e R e c o r d LED Language Demo Mode Reset ENTER RETURN Auto Off Start 2 Press the f or e button to choose the desired option, and then press the A button. Auto: To start demonstration if the DVD video camera/recorder is inactive for approx. 3 minutes after it is turned on. Off: To set demonstration to off. Start: To start demonstration immediately. Note: Pressing the C (STOP/EXIT) or DISC NAVIGATION button will exit demonstration.

If you choose "Auto", the demonstration will not start if a disc is loaded with the power switch set to "O" or "N", or a card is loaded with the power switch set to "P". The demonstration function will not work when the DVD video camera/recorder is connected to PC (DZGX5080A only). While the demonstration is being given, the recording indicator will blink. 3 Press the MENU button again to exit setting. 33 English **RESETTING MENU SETTINGS TO DEFAULTS (RESET)** 1 <> 2/3 English LCD/EVF Setup **ADJUSTING BRIGHTNESS OF LCD SCREEN (LCD BRIGHTNESS) AND VIEWFINDER (EVF BRIGHTNESS)** 1 Press the MENU button, use the f/e/ d/c/A buttons to choose "LCD/EVF Adjust" on the "LCD/EVF Setup" menu screen, and then choose "LCD Brightness" or "EVF Brightness". The brightness adjustment bar will appear on the screen. 3 Press the MENU button to end the setting. Note: The brightness setting will be stored in memory even after the DVD video camera/recorder is turned off. 2 Use the d/c buttons for adjustment. Press d : The screen becomes dimmer.

Press c : The screen becomes brighter. LCD / EVF A d j u s t LCD B r i g h t n e s s EVF B r i g h t n e s s Co l o r L e v e l ADJUST ENTER Brightness adjustment bar 34 You can adjust the color density of the LCD monitor screen and viewfinder. 1 Press the MENU LCD/ EVF Ad j u s t button, use the f/ Au t o EVF D i s p l a y e/d/c/A buttons to choose RETURN ENTER "LCD/EVF Adjust" on the "LCD/EVF Setup" menu screen, and then choose "Color Level". LCD / EVF Se t u p Note: The color setting will be stored in memory even after the DVD video camera/recorder is turned off. Even if the brightness or density of LCD monitor screen or viewfinder is changed, the brightness or density of the recorded image itself will not change.

The color density adjustment bar will appear on the screen. 2 Use the d/c buttons for adjustment. Press d : For lighter color. Press c : For denser color. LCD / EVF A d j u s t LCD B r i g h t n e s s EVF B r i g h t n e s s Co l o r L e v e l ADJUST ENTER Color density adjustment bar ALWAYS DISPLAYING IMAGE IN VIEWFINDER 1 Press the MENU button, use the f/ e/d/c/A buttons to choose "EVF Display" on the "LCD/ EVF Setup" menu screen.

LCD / EVF Se t u p LCD/ EVF Ad j u s t EVF D i s p l a y 2 Choose "On" and decide it. Au t o On ENTER RETURN Auto: If the LCD monitor is open, no image will appear in the viewfinder. On: Images will always appear in the viewfinder regardless of whether the LCD monitor is open/closed. Note: The setting on EVF Display will be stored in memory even after the DVD video camera/recorder is turned off. 35 English **ADJUSTING COLOR DENSITY (COLOR LEVEL)** Inserting and Removing Disc 1 Press down the DISC EJECT button once and release it. A few moments after the ACCESS/PC indicator blinks, the cover of disc insertion block will open. English Pickup lens 2 Gently open the cover by hand fully until it stops. Note that the recording surface of disc must face the inside of DVD video camera/recorder. When using a single-sided disc, the recording surface is the side without label. Never touch the disc recording surface or pickup lens.

Touching the pickup lens could cause a fault. Use the disc cleaning cloth provided to wipe off any dirt adhering to the disc recording surface. Do not use a dirtied or scratched disc. 3 When inserting a disc: Push the disc against the turntable at the center to lock it until a click is heard. 4 Push the section marked "PUSH CLOSE" on the cover of disc insertion block, to close the cover. Then the DVD video camera/recorder will automatically recognize the disc: While the ACCESS/PC indicator is lit, do not cut off the power supply, and do not subject the DVD video camera/recorder to any vibrations or impact.



[You're reading an excerpt. Click here to read official HITACHI DZ-](http://yourpdfguides.com/dref/3935367)

[GX5020A user guide](http://yourpdfguides.com/dref/3935367)

<http://yourpdfguides.com/dref/3935367>