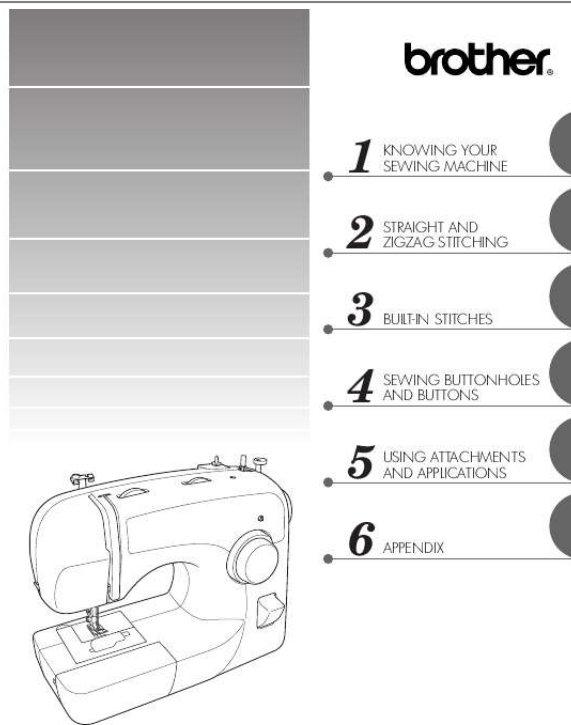




# Your PDF Guides

You can read the recommendations in the user guide, the technical guide or the installation guide for BROTHER XL-2600. You'll find the answers to all your questions on the BROTHER XL-2600 in the user manual (information, specifications, safety advice, size, accessories, etc.). Detailed instructions for use are in the User's Guide.

**User manual BROTHER XL-2600**  
**User guide BROTHER XL-2600**  
**Operating instructions BROTHER XL-2600**  
**Instructions for use BROTHER XL-2600**  
**Instruction manual BROTHER XL-2600**



## Operation Manual



[You're reading an excerpt. Click here to read official BROTHER XL-2600 user guide](http://yourpdfguides.com/dref/2359690)  
<http://yourpdfguides.com/dref/2359690>

**Manual abstract:**

@@2. Always unplug the machine before you change the light bulb. @@Do not allow this machine to be used as a toy. @@2. Use this machine only for its intended use as described in this manual. Use only accessories recommended by the manufacturer as contained in this manual. 3. Never operate this machine if it has a damaged cord or plug, if it is not working properly, if it has been dropped or damaged, or dropped into water. Return the machine to the nearest authorized dealer or service center for examination, repair, electrical or mechanical adjustment. 4.

Never operate the machine with any air openings blocked. @@5. Never drop or insert any object into any opening. 6. Do not use outdoors.

7. @@8. @@9. Do not unplug by pulling on cord. To unplug, grasp the plug, not the cord.

10. Keep fingers away from all moving parts. Special care is required around the machine needle. 11. Always use the proper needle plate. The wrong plate can cause the needle to break. 12. Do not use bent needles. 13. Do not pull or push fabric while stitching.

It may deflect the needle, causing it to break. 14. @@15. Always unplug the machine from the electrical outlet when removing covers, lubricating, or when making any other user servicing adjustments mentioned in the instruction manual. 16. This sewing machine is not intended for use by young children or infirm persons without supervision. (For Australia and New Zealand only) 17. Young children should be supervised to ensure that they do not play with this machine. **SAVE THESE INSTRUCTIONS** This machine is intended for household use. **FOR USERS IN THE UK, EIRE, MALTA AND CYPRUS ONLY** If this machine is fitted with a three-pin non-rewireable BS plug then please read the following.

**IMPORTANT** If the available socket outlet is not suitable for the plug supplied with this equipment, it should be cut off and an appropriate three pin plug fitted. With alternative plugs an approved fuse must be fitted in the plug. **NOTE:** The plug severed from the main leads must be destroyed as a plug with bared flexible cords is hazardous if engaged in a live socket outlet. In the event of replacing the plug fuse, use a fuse approved by ASTA to BS 1362, i.e. carrying the mark, rating as marked on plug. Always replace the fuse cover. Never use plugs with the fuse cover omitted. **WARNING: DO NOT CONNECT EITHER WIRE TO THE EARTH TERMINAL WHICH IS MARKED WITH THE LETTER 'E', BY THE EARTH SYMBOL OR COLOURED GREEN OR GREEN AND YELLOW.** The wires in this main lead are coloured in accordance with the following code: Blue Brown Neutral Live As the colours of the wiring in the main lead of this appliance may not correspond with the coloured markings identifying the terminals in your plug, proceed as follows: The wire which is coloured blue must be connected to the terminal which is marked with the letter 'N' or coloured black or blue.

The wire which is coloured brown must be connected to the terminal which is marked with the letter 'L' or coloured red or brown. 1

**UNPACKING/REPACKING INSTRUCTIONS** Keep the carton and packing materials. You may have to take or send the machine to be repaired. If you do not pack it properly, or do not use the right packing material, the machine could be damaged. Please follow the diagram below to unpack and repack the machine. **IMPORTANT** This packing material is designed to prevent damage. Save this packing material if you need to take or send this machine to be repaired. **PLEASE READ THESE INSTRUCTIONS BEFORE YOU USE THE MACHINE.** To use the machine safely 1. Make sure you watch the needle carefully while you are sewing.

Do not touch the handwheel, thread take-up lever, needle, or other moving parts. 2. Turn off the main power and unplug the cord in the following circumstances: · When you have stopped using the machine · When you are replacing or removing the needle or any other part · If there is a power failure while you are using the machine · If you are checking or cleaning the machine · Leaving the machine unattended 3. Do not store anything on the foot controller. 4. Plug the machine directly into the wall. Do not use extension cords. To give your machine a longer life 1. Do not store this machine in direct sunlight or in high humidity conditions. Do not use or store the machine near a heater, iron, halogen lamp or other hot objects.

2. Use only mild soaps or detergents to clean the case. Benzene, thinner, and scouring powders can damage the case and machine, and should never be used. 3. Do not drop or hit the machine.

4. Always consult this manual before you replace or fit presser feet, the needle, or any other parts to make sure you fit them correctly. To repair or adjust the machine If the machine breaks down or needs adjustment, first follow the troubleshooting table in the Appendix to inspect and adjust the machine yourself. If the problem is still there, consult your local authorized dealer. For additional product information and updates, visit our web site at [www.brother.com](http://www.brother.com). The contents of this manual and specifications of this product are subject to change without notice. 2 **CONTENTS** 1. **KNOWING YOUR SEWING**

**MACHINE .....**

.....  
.....  
.....  
.....

.....  
.....  
.....

**...5 THE MAIN PARTS .....**

.....  
.....  
.....  
.....

.....  
.....  
.....  
.....

.....  
.....  
.....

.....  
.....  
*... 5 ACCESSORIES ..*

.....  
.....

.....  
.....  
.....

.....  
.....  
.....

.....  
.....  
.....

.....  
*6 Optional Accessories .....*

.....  
.....

.....  
.....  
.....

.....  
.....  
.....

.....  
.....  
.....

.....  
.....  
.....

*..... 6 USING YOUR SEWING MACHINE ....*

.....  
.....  
.....

.....  
.....  
.....

.....  
.....  
.....

*.7 Connecting Plugs .....*

.....  
.....  
.....

.....  
.....  
.....  
.....

.....  
.....  
.....  
.....

.....  
.....  
.....  
.....

*... 7 Main Power and Sewing Light Switch ..*

.....  
.....

.....  
.....  
.....  
.....

.....  
.....  
.....  
.....

.....  
.....  
.....  
.....

*.... 8 Foot Controller .....*

.....  
.....  
.....

.....  
.....  
.....  
.....

.....  
.....  
.....  
.....

.....  
.....  
.....  
.....

.....  
.....  
.....  
.....

*8 Checking the Needle .....*

.....  
.....  
.....

.....  
.....

.....  
.....

.....  
.....  
.....

.....  
.....  
.....

.....  
.....

*.. 8 Replacing the Needle ...*

.....

.....  
.....  
.....

.....  
.....  
.....

.....  
.....  
.....

.....  
.....  
.....

*... 8 Changing the Presser Foot .....*

.....  
.....  
.....

.....  
.....  
.....

.....  
.....  
.....

.....  
.....  
.....

*.. 9 Flat Bed Attachment ...*

.....  
.....

.....  
.....  
.....

.....  
.....  
.....  
.....

.....  
.....  
.....  
.....

.....  
.....  
.....

..... *10 Using a Free-arm Style ..*

.....  
.....  
.....  
.....

.....  
.....  
.....  
.....

.....  
.....  
.....  
.....

.....  
.....  
.....  
.....

.....  
*10 THE CONTROLS .....*

.....  
.....

.....  
.....  
.....  
.....

.....  
.....  
.....  
.....

.....  
.....  
.....  
.....

*.11 Pattern Selection Dial .....*

.....  
.....  
.....

.....  
.....  
.....  
.....

.....

.....  
.....  
.....

.....  
.....  
.....  
.....

.....  
.....

*11 Patterns and Stitch Names .....*

.....

.....  
.....  
.....  
.....

.....  
.....  
.....  
.....

.....  
.....  
.....  
.....

.....  
.....  
.....

*.. 12 Stitch Length Dial .....*

.....  
.....  
.....  
.....

.....  
.....  
.....  
.....

.....  
.....  
.....  
.....

.....  
.....  
.....  
.....

*.. 14 Stretch Stitching ...*

.....  
.....

.....  
.....  
.....  
.....

.....  
.....  
.....

.....  
.....  
.....  
.....  
.....  
.....  
.....  
.....  
.....

*... 15 Stitch Width Dial .....*

.....  
.....  
.....  
.....  
.....

.....  
.....  
.....  
.....  
.....  
.....  
.....  
.....  
.....

.....  
.....  
.....

*... 15 Reverse Sewing Lever .....*

.....  
.....  
.....  
.....  
.....  
.....  
.....  
.....

.....  
.....  
.....  
.....  
.....  
.....  
.....  
.....

*..... 15 THREADING THE MACHINE ..*

.....  
.....  
.....  
.....  
.....  
.....



.....  
.....  
.....  
.....

.....  
*16 Winding the Bobbin .....*

.....  
.....  
.....  
.....

.....  
.....  
.....  
.....

.....  
.....  
.....  
.....

.....  
.....  
.....  
.....

*..... 16 Lower Threading ....*

.....  
.....  
.....  
.....

.....  
.....  
.....  
.....

.....  
.....  
.....  
.....

.....  
.....  
.....  
.....

.....  
.....  
.....  
.....

*.. 18 Lower Threading (for models equipped with a quick-set bobbin) ...*

.....  
.....  
.....  
.....

.....  
.....  
.....  
.....

*..... 19 Upper Threading .....*

.....  
.....

.....  
.....

.....  
.....  
.....

.....  
.....  
.....

.....  
.....  
.....

.....  
.....

*. 21 Using the Needle Threader (for models equipped with a needle threader) ....*

.....

.....  
.....  
.....

.....

*. 22 Drawing up the Lower Thread ....*

.....  
.....

.....  
.....  
.....

.....  
.....  
.....

.....  
.....  
.....

.....

*.. 24 Sewing with a Twin Needle ...*

.....  
.....

.....  
.....  
.....

.....  
.....  
.....

.....  
.....  
.....

.....  
.....  
. 24 Thread Tension ....

.....

.....

.....

.....

.....

.....

.....

.....

.....

.....

.....

.....

.....

.....

.....

.....

..... 25 FABRIC, THREAD, AND NEEDLE COMBINATIONS .

.....

.....

.....

.....

.....

.....

.....

.....26 2. STRAIGHT AND ZIGZAG STITCHING ...

.....

.....

.....

.....

.....

.....

.....

....27 Please Read Before Sewing .....

.....

.....

.....

.....

.....

.....

.....

.....

.....

.....

.....

.....

.....

.....

.....

..... 27 Straight Stitching .



.....

.....

.....

.....

.....

.....

.....

.....

.....

.....

.....

.....

..... *29 Shell Tuck Stitching* .....

.....

.....

.....

.....

.....

.....

.....

.....

.....

.....

.....

.....

.....

.....

.....

.....

.. *29 Elastic Stitching* .....

.....

.....

.....

.....

.....

.....

.....

.....

.....

.....

.....

.....

.....

.....

.....

.....

*30 Double Action Stitching* .....

.....

.....  
.....  
.....  
.....

.....  
.....  
.....  
.....

.....  
.....  
.....  
.....

.....  
.....  
.....  
.....

..... *31 Patchworking* .....

.....  
.....  
.....  
.....

.....  
.....  
.....  
.....

.....  
.....  
.....  
.....

.....  
.....  
.....  
.....

.....  
.....  
.....  
.....

..... *31 Overedge Stitching* .....

.....  
.....  
.....  
.....

.....  
.....  
.....  
.....

.....  
.....  
.....  
.....

.....  
.....  
.....  
.....

..... *31 Feather Stitching* .

.....

.....  
.....  
  
.....  
.....  
.....  
  
.....  
.....  
.....  
  
.....  
.....  
.....  
  
.....  
.....  
.....  
  
.....  
.....  
.....  
  
.....  
.....  
.....  
  
.....  
.....  
.....  
  
.....  
.....  
.....

*32 Triple Zigzag Stretch Stitching .....*

.....  
.....  
.....  
  
.....  
.....  
.....  
  
.....  
.....  
.....  
  
.....  
.....  
.....  
  
.....  
.....  
.....  
  
.....  
.....  
.....  
  
.....  
.....  
.....

*. 32 Decorative Stitching .....*

.....  
.....

*Page 16) This winds the thread onto the bobbin for use as the lower thread. 2 Spool pin (Page 16, 21) This holds the spool of thread. 3 Thread guide (Page 16, 21) This is used when winding the thread onto the bobbin and then threading the machine. 4 Thread take-up lever (Page 21) 5 Hole for extra spool pin (Page 25) This holds a second spool of thread for sewing with the twin needle. 6 Stitch width dial (Page 15) This controls the stitch width. 7 Upper tension-control dial (Page 25) This controls the tension of the upper thread. 8 Thread cutter (Page 28) Pass the threads through the thread cutter to cut them. 9 Needle threader (Page 22) (This is only available on certain models.*



**[You're reading an excerpt. Click here to read official BROTHER XL-2600 user guide](http://yourpdfguides.com/dref/2359690)**  
<http://yourpdfguides.com/dref/2359690>

) 0 Quick-set bobbin (Page 19) (This is e of the needle on a flat surface. Check the needle from the top and the sides.

Dispose of any bent needles safely. 1 Turn on (toward the 'I' mark) 2 Turn off (toward the 'O' mark) 1 2 Foot Controller When you press the foot controller down lightly, the machine will run at a low speed. When you press harder, the machine's speed will increase. When you take your foot off the foot controller, the machine will stop. You should make sure that nothing is placed on the foot controller when the machine is not in use. 1 Parallel space 2 Level surface (bobbin cover, glass, etc.) Replacing the Needle CAUTION Turn the main power switch off before 1 1 Foot controller you change the needle. If you leave the main power on and step on the foot controller, the machine will start and you may be injured. Only use sewing machine needles for home use. Other needles may bend or break and cause injury.

Never sew with a bent needle. A bent needle will easily break and cause injury. 1 CAUTION Do not allow pieces of cloth and dust to Remove the power supply plug from the outlet. Raise the needle to its highest position by turning build up on the foot controller. Doing so could cause a fire or an electric shock. 2 the handwheel toward you (counterclockwise) so that the mark on the handwheel points directly up. 3 Lower the presser foot lever. Note (For U.S.A.

only) Foot Controller: Model KD-1902 This foot controller can be used for Model XL-3500, XL-2600, XL-3510, XL-2610, XL-3520, XL-2620. 1 1 Presser foot lever 8 4 use a screwdriver to turn the needle clamp Hold the needle with your left hand, and then screw counterclockwise to remove the needle. CAUTION Make sure you insert the needle until it 1 2 1 Screwdriver 2 Needle clamp screw touches the stopper, and securely tighten the needle clamp screw with a screwdriver. If the needle is not fully inserted, or if the needle clamp screw is loose, the needle may break or the machine may be damaged. 1 · Do not use excessive force when loosening or tightening the needle clamp screw, otherwise certain parts of the sewing machine may be damaged. Changing the Presser Foot CAUTION Always turn off the power before you 5 back of the machine, insert the needle until it With the flat side of the needle toward the touches the needle stopper. Next, tighten the needle clamp using the screwdriver. 1 change the presser foot. If you leave the power on and step on the controller, the machine will start and you may be injured. Always use the correct presser foot for the stitch pattern you have chosen.

If you use the wrong presser foot, the needle may strike the presser foot and bend or break, and may cause injury. Only use presser feet that have been designed to be used with this machine. Using any other presser foot may cause accident or injury. You will have to change the presser foot depending on what you want to sew and how. Snap-on Type 2 3 1 Screwdriver 2 Needle Stopper 3 Needle 1 turning the handwheel toward you Raise the needle to its highest position by (counterclockwise), and then raise the presser foot lever. Put the twin needle in the same way. 2 back of the holder. Release the foot by raising the lever at the 1 1 Presser Foot 9 KNOWING YOUR SEWING MACHINE ----- 3 so that the bar on the presser foot is in line Put a different presser foot on the needle plate Flat Bed Attachment The accessories are stored in a compartment inside the flat bed attachment. 1 open it. with the slot on the shank.

Lower the presser foot lever and fix the 4 presser foot onto the shank. If the presser foot is in the correct place, the bar should snap in. Slide the flat bed attachment to the left to 1 1 1 Shank 2 1 Flat bed attachment 2 Storage compartment Presser Foot Installation Orientation Note Put the accessories inside a bag, and then store the bag inside the compartment. If the accessories are not in a bag, they may fall out and be lost or damaged. Using a Free-arm Style Free-arm sewing is convenient for sewing tubular and hard-to-reach areas.

To change your machine to the free-arm style, lift out the flat bed attachment. 1 release it. Slide the flat bed attachment to the left to 1 CAUTION If the presser foot is not installed with the 1 Flat bed attachment correct orientation, the needle may strike the presser foot, which may bend or break the needle and cause injury. 10 THE CONTROLS Pattern Selection Dial CAUTION When you use the pattern selection dial to choose a pattern, turn the handwheel toward you (counterclockwise) to set the needle in the highest position. If the needle is in the down position when you turn the pattern selection dial, the needle, presser foot or fabric may be damaged.

To choose a stitch, simply turn the pattern selection dial in either direction. The next section shows recommended stitch lengths and widths. 1 2 1 1 Pattern selection dial 2 Chosen pattern number 35 Stitches (only available on certain models) 25 Stitches 11 KNOWING YOUR SEWING MACHINE

----- Patterns and Stitch Names Pattern Stitç Name 35 Stitçes 25 Stitçes 4-STEP  
AUTOMATIC BUTTONHOLE STRAIGHT STITCH ZIGZAG STITCH BLIND HEM STITCH SHELL TUCK STITCH ELASTIC STITCH STRETCH BLIND  
HEM STITCH STRETCH BLIND HEM STITCH ELASTIC SHELL TUCK STITCH DOUBLE ACTION STITCH BRIDGING STITCH RAMPART STITCH  
TRIANGLE STITCH Recommended Width (mm (inch)) 3-5 (1/8 3/16) 0-5 (0-3/16) (Changes needle position) 0-5 (0-3/16) 3-5 (1/8-3/16) 3-5 (1/8-3/16) 3-5 (1/8-3/16) 3-5 (1/8-3/16) 3-5 (1/8-3/16) 3-5 (1/8-3/16) 0-5 (0-3/16) (Changes needle position)  
Recommended Length (mm (inch)) F- 1.5 (1/64-1/16) 1-4 (1/16-3/16) F-4 (1/64-3/16) F-2 (1/64-1/16) F-3 (1/64-1/8) F-2.5 (1/64-3/32) F-1.5 (1/64-1/16)  
F-1.5 (1/64-1/16) F-3 (1/64-1/8) F-3 (1/64-1/8) F-3 (1/64-1/8) F-3 (1/64-1/8) F- 1.5 (1/64-1/16) Fixed 2.5 (3/32)\* Fixed 2.5 (3/32) Fixed 2.

5 (3/32)\* Fixed 2.5 (3/32) Fixed 2.5 (3/32) Fixed 2.5 (3/32) Instruction Manual Page 34 27, 37, 38, 41, 42, 43 28, 36, 39, 41 29 29 30 29 29 31 31 31 31 33  
TRIPLE STRETCH STITCH 27 TRIPLE ZIGZAG STRETCH STITCH 3-5 (1/8-3/16) 32 STRETCH OVERLOCK STITCH 3-5 (1/8-3/16) 31 \* The stitch can  
also be sewn when the stitch length dial is set to . 12 Pattern Stitç Name 35 Stitçes 25 Stitçes Recommended Width (mm (inch)) 3-5 (1/8-3/16)  
Recommended Length (mm (inch)) Fixed 2.5 (3/32) Fixed 2.5 (3/32) Fixed 2.5 (3/32) Fixed 2.5 (3/32) Fixed 2.5 (3/32) Fixed 2.  
5 (3/32) Fixed 2.5 (3/32) Fixed 2.5 (3/32) Fixed 2.5 (3/32) Fixed 2.5 (3/32) Fixed 2.  
5 (3/32) Fixed 2.5 (3/32) Fixed 2.5 (3/32) Fixed 2.5 (3/32) Fixed 2.5 (3/32) Fixed 2.



[You're reading an excerpt. Click here to read official BROTHER](#)

[XL-2600 user guide](#)

<http://yourpdfguides.com/dref/2359690>



5 (3/32) Fixed 2.5 (3/32) Fixed 2.5 (3/32) Fixed 2.5 (3/32) Fixed 2.5 (3/32) Fixed 2.5 (3/32) Instruction Manual Page ELASTIC OVERLOCK STITCH 31 1 FEATHER STITCH 3-5 (1/8-3/16) 32 ARROWHEAD STITCH 3-5 (1/8-3/16) 31 ARROWHEAD STITCH 3-5 (1/8-3/16) 31 DECORATIVE STITCH 3-5 (1/8-3/16) 33 LEAF STITCH 3-5 (1/8-3/16) 33 TREE STITCH 3-5 (1/8-3/16) 33 LEGS STITCH 3-5 (1/8-3/16) 33 DECORATIVE STITCH 3-5 (1/8-3/16) 3-5 (1/8-13/64) 3-5 (1/8-13/64) 3-5 (1/8-13/64) 33 STRETCH OVERLOCK STITCH STRETCH OVERLOCK STITCH SMOCKING STITCH 33 33 31 13 KNOWING YOUR SEWING MACHINE ----- Pattern Stütch Name 35 Stütches 25 Stütches COMB STITCH COMB STITCH DECORATIVE STITCH FAGOTING STITCH DECORATIVE STITCH DECORATIVE HEM STITCH DECORATIVE STITCH Recommended Width (mm (inch)) 3-5 (1/8-3/16) 3-5 (1/8-3/16) 3-5 (1/8-3/16) 3-5 (1/8-13/64) 3-5 (1/8-3/16) 3-5 (1/8-3/16) 3-5 (1/8-3/16) Recommended Length (mm (inch)) Fixed 2.5 (3/32) Fixed 2.5 (3/32) Fixed 2.5 (3/32) Fixed 2.5 (3/32) Fixed 2.

5 (3/32) Fixed 2.5 (3/32) Fixed 2.5 (3/32) Instruction Manual Page 31 31 33 31 31 33 33 Stitch Length Dial Depending on the selected stitch, you may need to adjust the stitch length for best results. The numbers marked on the stitch length dial represent the stitch length in millimeters (mm) (1/25 inch). THE HIGHER THE NUMBER, THE LONGER THE STITCH. With the "0" setting, material is not fed. This is used when sewing a button. The "F" range is for making a satin stitch (close zigzag stitch), which is used for making buttonholes and decorative stitches. The position needed for making the satin stitch varies according to the material and thread being used. To determine the exact dial position, first test the stitch and length settings on a scrap piece of fabric to observe the feeding of the material.

2 1 3 1 CAUTION If the stitches are bunched together, lengthen the stitch length and continue sewing. Do not continue sewing without lengthening the stitch length, otherwise the needle may break and cause injury. 1 Stitch length dial 2 Shorter 3 Longer 14 Stretch Stütching 35 Stütches Selecting a Stretch Stütch Setting the stitch length dial to " " or " " changes the selected pattern to a stretch stitch. Reverse Sewing Lever You can use reverse sewing for back tacking and reinforcing seams. To sew in reverse, push the reverse sewing lever in as far as possible and hold it in that position while you lightly push the foot controller.

To sew forward, release the reverse sewing lever. The machine will then sew forward. 1 25 Stütches Selecting a Stretch Stütch Setting the stitch length dial to " " changes the selected pattern to a stretch stitch. 1 1 Reverse sewing lever Stitch Width Dial The numbers marked on the dial represent the stitch width. THE HIGHER THE NUMBER, THE WIDER THE STITCH.

1 1 Stitch width dial Note When the Straight or Triple Stretch Stütch is selected, the needle position can be changed from left to right by adjusting the stitch width dial. . 15 KNOWING YOUR SEWING MACHINE ----- THREADING THE MACHINE Winding the Bobbin CAUTION Only use bobbins (part code: SA156, SFB (XA5539-151)) that have been designed for this sewing machine. Using other bobbins may cause damage to the machine. We designed the bobbin that comes with this machine. If you use bobbins from other models, the machine will not work properly. Only use the bobbin that comes with this machine or bobbins of the same type (part code: SA156, SFB (XA5539-151)). Actual size 11.5 mm (7/16 inch) This model Other models 1 2 1 Pre-tension disk 2 Bobbin winder shaft 1 pass the thread around the pre-tension disk. Put the spool of thread on the spool pin and 3 and slide the bobbin winder shaft to the right.

Put the bobbin onto the bobbin winder shaft CAUTION If the spool of thread is not in the right Turn the bobbin clockwise, by hand, until the spring on the shaft slides into the groove of the bobbin. place, the thread may tangle on the spool pin. 2 the bobbin from the inside of the bobbin. Pass the end of the thread through the hole on 2 1 1 Spring on the shaft 2 Groove of the bobbin 16 4 press the foot controller to wind the thread While holding the end of the thread, gently CAUTION Make sure you follow the instructions around the bobbin a few times. Then stop the machine. carefully. If you do not cut the excess thread completely before winding the bobbin, when the thread runs low it may tangle around the bobbin and cause the needle to break. 1 CAUTION Not winding the bobbin properly may 5 Trim the excess thread above the bobbin. cause the thread tension to loosen, and may break the needle. 1 6 2 Press the foot controller to start.

1 Wound evenly 2 Wound poorly 7 spinning slowly, take your foot off the foot When the bobbin seems full and begins controller. 8 to the left and remove the bobbin. Cut the thread, slide the bobbin winder shaft Note The needle bar does not move when you slide the bobbin winder shaft to the right. Immediately after winding the bobbin, it is normal to hear the sound of the clutch engaging when beginning to sew or turning the handwheel. 17 KNOWING YOUR SEWING MACHINE ----- 1 turning the handwheel toward you Raise the needle to its highest position by (counterclockwise) and raise the presser foot lever.

Lower Threading · For more details on using the quick-set bobbin, see page 19. CAUTION Not winding the bobbin properly may cause the thread tension to loosen, and may break the needle. 2 Slide the button and open the cover. 1 2 1 Cover 2 Slide button 3 the direction shown by the arrow. Put the bobbin in so the thread comes out in 1 1 Wound evenly 2 Wound poorly 2 The bobbin was designed specifically for this sewing machine.

@@@ @@@@ If it is not inserted, reinsert the thread. threading the machine. @@@ @@@ @@@ @@@ @@@ @@@ @@@ @@@ @@@ @@@ If it is not inserted, reinsert the thread. 1 1 Tension-adjusting spring 20 Upper Threading 1 1 2 3 4 5 Spool pin Thread guide (back) Thread guide (front) Thread take-up lever Mark on the handwheel 3 on this pin. Pull up the spool pin and put a spool of thread CAUTION Make sure you thread the machine properly. Otherwise, the thread could tangle and break the needle. 1 Raise the presser foot using the presser foot CAUTION If the spool of thread is in the wrong IMPORTANT: lever. place, or is set incorrectly, the thread may tangle on the spool pin and cause the needle to break. 4 illustration above. Pass the thread through Feed the upper thread as shown in the both thread guides: the back one first, and then the front one.



[You're reading an excerpt. Click here to read official BROTHER XL-2600 user guide](http://yourpdfguides.com/dref/2359690)  
<http://yourpdfguides.com/dref/2359690>

5 thread take-up lever from right to left. Make sure you guide the thread through the 1 Presser foot lever 2 turning the handwheel toward you 1 Raise the needle to its highest position by (counterclockwise) so that the mark on the handwheel points directly up. 1 If the needle is not correctly raised, the sewing machine can not be threaded. @@@@ Make sure that the needle does not strike the presser foot. Do not sew with bent needles. The needle could break and injure you.

@@@ You may need to adjust it when you change fabric or thread. 1 Memo We recommend that you do a test sample on scrap of a fabric before you start to sew. Correct Tension Correct tension is important as too much or too little tension will weaken your seams or cause puckers on your fabric.

2 Twin Needle Threading You should thread each needle separately. Thread the left needle. 1 Follow the same instructions for threading a single needle (see page 21). 2 Thread the right needle in the same way that 1 3 4 1 2 3 4 5 6 Surface of fabric Back of fabric Upper thread Lower thread Loops appear on surface of fabric Loops appear on back of fabric Thread the right needle. you threaded the left needle using the thread from the spool on the extra spool pin, but do not pass the thread through the guide above the needle before you pass it through the eye of the right needle.

Upper Tension is too Tight Loops will appear on the surface of the fabric. 2 3 2 1 3 5 4 5 4 3 1 1 Left needle thread passes through the needle bar thread guide 2 Right needle thread passes in front of the needle bar thread guide 3 Needle bar thread guide Solution Reduce the tension by turning the upper tension control dial to a lower number. Upper Tension is too Loose Loops appear on the back of the fabric. 2 6 Note Models Equipped with a Needle Threader You can not use the needle threader to thread the twin needle. Instead, thread the twin needle by hand, from front to back.

Using the needle threader may damage the machine. 1 3 4 5 4 3 Solution Increase the tension by turning the upper tension control dial to a higher number. 25

#### KNOWING YOUR SEWING MACHINE ----- FABRIC, THREAD, AND NEEDLE

COMBINATIONS Fabric Type Broadcloth Medium weight fabrics Taffeta Flannel, Gabardine Lawn, Batiste Lightweight fabrics Georgette Challis, Satin Denim Heavyweight fabrics Corduroy Tweed Stretch fabrics Jersey Tricot Thread Type Cotton Thread synthetic mercerized Silk or silk finished Cotton Thread synthetic mercerized Silk Cotton Thread synthetic mercerized Silk Thread for knits Thread synthetic mercerized Silk 5060 Ball point needle (golden colored) 75/1190/14 90/14100/16 6080 5080 3050 50 90/14100/16 65/975/11 6080 75/1190/14 5080 Size of Needle For top stitching 30 Memo For clear nylon thread, always use needle 90/14 - 100/16. You can also use the same thread for the bobbin thread and upper threading. CAUTION Make sure you follow the needle, thread, and fabric combinations listed in the table. Using the wrong combination, such as heavyweight fabric like denim with a small needle (65/9-75/11), may bend or break the needle. The wrong combination may also cause the seam to be uneven, the fabric to pucker, or the machine to skip stitches. 26 2 STRAIGHT AND ZIGZAG STITCHING Please Read Before Sewing CAUTION To avoid being injured, watch the needle carefully while you are using the machine. Keep your hands away from moving parts. Do not stretch or pull the fabric during sewing, otherwise the needle may be damaged and 2 you may be injured.

Do not use bent or broken needles, otherwise you may be injured. Take care that the needle does not hit basting pins or other objects during sewing. The needle may break and you may be injured. Always use the correct presser foot. If you use the wrong presser foot, the needle may hit the presser foot and bend or break and you may be injured. When you turn the handwheel by hand, always turn it toward you (counterclockwise). Turning it the other way may cause the thread to tangle and damage the needle or fabric, and you may be injured. 4 position the needle 1 cm (3/8 inch) from the Put the fabric under the presser foot and edge of the fabric. Straight Stitching Stitch Name Pattern Stitch Stitch Length Width [mm (inch)] [mm (inch)] 1-4 (1/64-3/16) Fixed 2.5 (3/32) Fixed 2.

5 (3/32) 5-0\* (3/16-0) 5 Lower the presser foot. To back tack, push down the reverse sewing Straight Stitch 6 lever as far as possible, and then press the foot controller to start reverse sewing. Release the foot controller to stop sewing. 7 sewing in the forward direction by pressing Triple Stretch Stitch Release the reverse sewing lever and start the foot controller. \*Turn the stitch width dial to adjust the needle position.

Setting the dial to 5 selects the left needle position; setting the dial to 0 selects the right needle position. Starting Sewing 1 stitch number you want. You also need to set Turn the pattern selection dial to choose the the pattern selection dial to the Straight Stitch or Triple Stretch Stitch. 2 the presser foot lever. 3 presser foot.

You can use reverse sewing for locking the end of seams and to strengthen a stitch. Raise the needle to its highest position and lift CAUTION Make sure the needle does not hit a pin Pull the upper thread though the toes of the or any other object during sewing. The thread could tangle or the needle could break, and you may be injured. 27 STRAIGHT AND ZIGZAG STITCHING ----- Changing Sewing Direction 1 to change direction with the needle still in the 4 pull about 10 cm (4 inch) of thread through To prepare the machine for the next seam, Stop the machine at the point where you want fabric. the toes of the presser foot toward the back of the machine. Top Stitching and Stretch Materials You can use a straight stitch for top stitching and sewing lightweight fabrics. You can use a triple stretch stitch for sewing stretch fabrics. Raise the presser foot and turn the fabric to its 2 new direction using the needle as a pivot. Zigzag Stitching Stitch Name 3 new direction. Pattern Lower the presser foot and start sewing in the Zigzag Stitch Stitch Length Width [mm (inch)] [mm (inch)] F-4 (1/64-3/16) 0-5 (0-3/16) Finishing Sewing You can use stitching to lock the threads at the end of the seam or to strengthen a stitch.

1 Zigzag Stitch Turn the pattern selection dial to the Zigzag Stitch, and then start sewing. Stitch to the end of the seam and stop.

@@@@@B. Leave a Fold back the hem, as shown in Fig.



[You're reading an excerpt. Click here to read official BROTHER XL-2600 user guide](http://yourpdfguides.com/dref/2359690)  
<http://yourpdfguides.com/dref/2359690>

A. @@@@together. Elastic Stitch You can use the Elastic Stitch for mending, sewing elastic or joining fabric. Each is explained below. Set the pattern selection dial to the Elastic Stitch. Mending 1 Set the stitch length dial between "F" and 2.

5. Place the reinforcement fabric under the area 2 you want to mend. 3 Elastic Stitch as shown. Following the line of the tear, sew using the Sewing Elastic 1 Place the elastic on the fabric. As you sew, stretch the elastic in front of and 2 behind the presser foot.

30 Double Action Stitching Stitch Name Double Action Stitch Bridging Stitch Stitch Pattern Length Width [mm (inch)] [mm (inch)] F-3 (1/64-1/8) F-3 (1/64-1/8) F-3 (1/64-1/8) 3-5 (1/8-3/16) 3-5 (1/8-3/16) 3-5 (1/8-3/16) 2 Stitch, Fagoting Stitch, or Decorative Stitch. 3 slightly when beginning to sew. Set the pattern selection dial to the Smocking Stitch along the edge, pulling both threads Use thicker than normal threads for sewing. 4 paper. Finish by tying knots on the reverse After sewing, remove the basting and the side at the beginning and the end of the seams.

Rampart Stitch These stitches are used for joining two pieces of fabric, such as when making patchwork. Set the pattern selection dial to the Double Action Stitch, Bridging Stitch, or Rampart Stitch. 1 3 1.5 mm 1 First needle drop Overedge Stitching Stitch Name Elastic Shell Tuck Stitch Stretch Overlock Stitch Stitch Length Width [mm (inch)] [mm (inch)] Fixed 2.5 (3/32) Fixed 2.5 (3/32) Fixed 2.5 (3/32) 3-5 (1/8-13/64) 3-5 (1/8-13/64) 3-5 (1/8-3/16)

Arrowhead Stitch Elastic Overlock Stitch Pattern Stitch Length Width [mm (inch)] [mm (inch)] F-3 (1/64-1/8) Fixed 2.5 (3/32) Fixed 2.5 (3/32) Fixed 2.5 (3/32) Fixed 2.5 (3/32) Fixed 2.

5 (3/32) Fixed 2.5 (3/32) Fixed 2.5 (3/32) Fixed 2.5 (3/32) Fixed 2.5 (3/32) Fixed 2.5 (3/32) Fixed 2.5 (3/32) 3-5 (1/8-3/16) 3-5 (1/8-3/16) Patchworking Stitch Name Smocking Stitch Fagoting Stitch Decorative Stitch Pattern 3-5 (1/8-3/16) 3-5 (1/8-3/16) Arrowhead Stitch 3-5 (1/8-3/16) 3-5 (1/8-3/16) 3-5 (1/8-3/16) These stitches are used to join two pieces of fabric while leaving a space between their edges. 1 for the hem and baste the edges to a thin Comb Stitch Fold over the edges of the two pieces of fabric piece of paper leaving a small space between them. Comb Stitch 31 BUILT-IN STITCHES

----- You can use these stitches to join together seams and finish them in one operation. The Overlock Stitches are also useful for sewing stretch materials while the Arrowhead Stitch is ideal for sewing the edge of a blanket.

1 stitch. Feather Stitching Stitch Name Pattern Stitch Length Width [mm (inch)] [mm (inch)] Fixed 2.5 (3/32) Fixed 2.5 (3/32) 3-5 (1/8-3/16) Set the pattern selection dial to an overedge Feather Stitch 2 the seamline (or arrowhead point) is Put the fabric under the presser foot so that approximately 3 mm (1/8 inch) to the left of the center of the presser foot. This stitch works best with a seam allowance of approximately 5 mm (3/16 inch) as this allows the right (zigzag) side of the stitch to overlock the cut edge of the fabric.

Use the Feather Stitch as a decorative top stitch when embroidering or when hemming blankets, tablecloths, or draperies. 1 Stitch. Set the pattern selection dial to the Feather Place the fabric right side up and sew 1 cm Trim close to the stitching. 2 (3/8 inch) from the edge of the fabric. 3 The stitch will prevent the fabric from unravelling.

3 pattern, trim away any excess fabric after If the seam allowance is wider than the stitch stitching. A finished Elastic Overlock Stitch is shown in the illustration below. Triple Zigzag Stretch Stitching Stitch Name Pattern Stitch Length Width [mm (inch)] [mm (inch)] Fixed 2.5 (3/32) Fixed 2.5 (3/32) 3-5 (1/8-3/16) Triple Zigzag Stretch Stitch This stitch can be used wherever a zigzag stitch would be used to sew heavyweight stretch fabrics. The Triple Zigzag Stretch Stitch can also be used as a decorative top stitch. Set the pattern selection dial to the Triple Zigzag Stretch Stitch. 32 Decorative Stitching Stitch Name Pattern Stitch Length Width [mm (inch)] [mm (inch)] F-1.5 (1/64-1/16) Fixed 2.5 (3/32) Fixed 2.

5 (3/32) Fixed 2.5 (3/32) Fixed 2.5 (3/32) Fixed 2.5 (3/32) Fixed 2.5 (3/32) Fixed 2.5 (3/32) Fixed 2.5 (3/32) Fixed 2.5 (3/32) Fixed 2.5 (3/32) Fixed 2.5 (3/32) Fixed 2.5 (3/32) Fixed 2.

5 (3/32) Fixed 2.5 (3/32) Fixed 2.5 (3/32) Fixed 2.5 (3/32) 3-5 (1/8-3/16) 3-5 (1/8-3/16) Triangle Stitch Decorative Stitch Leaf Stitch 3-5 (1/8-3/16) 3 Tree Stitch 3-5 (1/8-3/16) Legs Stitch 3-5 (1/8-3/16) Decorative Stitch Stretch Overlock Stitch Stretch Overlock Stitch Decorative Stitch Decorative Hem Stitch Decorative Stitch 3-5 (1/8-3/16) 3-5 (1/8-13/64) 3-5 (1/8-13/64) 3-5 (1/8-3/16) 3-5 (1/8-3/16) 3-5 (1/8-3/16) These stitches can be used for decorative top stitching and for smocking. Set the pattern selection dial to the Triangle Stitch, Leaf Stitch, etc.

33 SEWING BUTTONHOLES AND BUTTONS ----- 4 SEWING BUTTONHOLES AND BUTTONS Making a Buttonhole Making a Buttonhole Pattern Stitch Length Width [mm (inch)] [mm (inch)] F-1.5 (1/64-1/16) 3-5 (1/8 3/16) Foot Buttonhole Foot Step Step 1 (Front bar tack) Sewn section a Pattern Memo We recommend that you practice making a buttonhole on a scrap piece of fabric before you try it on an actual garment. When making buttonholes on soft fabrics, place a stabilizer material on the underside of the fabric. 1. Set the pattern selection dial to 'a'.

2. Lower the presser foot and sew 5 to 6 stitches. 3. Stop the machine when the needle is at the left side of the stitches and then raise the needle from the material. Step 2 b (Left side) 1. Turn the pattern selection dial to 'b'. 2. Sew the length of the tailor's chalk line. 3. Stop the machine when the needle is at the left side of the stitch and then raise the needle.

Step 3 c (Back bar tack) 1 length of the buttonhole on the fabric. Using tailor's chalk, mark the position and 1. Turn the pattern selection dial to 'c' (same position as in step 1). 2. Sew 5 to 6 stitches. 3. Stop the machine when the needle is at the right side of the stitch and then raise the needle from the material.

Step 4 (Right side) d Attach the buttonhole foot and push the frame 2 back until it stops with the plastic insert at the front of the frame. CAUTION If the presser foot is not installed with the correct orientation, the needle may strike the presser foot, which may bend or break the needle and cause injury. (See page 9 for the correct presser foot orientation.

) 3 the bar tack mark under the center of the 1. Set the pattern selection dial to 'd'. 2. Sew the right side until the needle reaches the stitches sewn in step 1.



[You're reading an excerpt. Click here to read official BROTHER XL-2600 user guide](http://yourpdfguides.com/dref/2359690)  
<http://yourpdfguides.com/dref/2359690>

Securing the Stitching and Cutting the Buttonhole 1 degrees counterclockwise and sew straight You need to sew the front bar tack first. Line presser foot and match it up to the two lines on the presser foot. To secure the stitching, turn the material 90 stitches to the end of the front bar tack of the buttonhole. 2 recommend that you put pins across both Remove the material from the machine. We ends of the buttonhole to prevent the stitches from being cut. 1 Front of chalk mark 2 Red lines 3 4 3 buttonhole with the seam ripper tool.

Be Cut an opening in the middle of the 3 side, stitch the buttonhole and observe the After obtaining a satisfactory feed on the right feeding. careful not to cut through any stitches. 4 with the right side, adjust the buttonhole fine- If the left side is too coarse or fine compared CAUTION When using the seam ripper to open the adjustment screw as described below. If the left side is too coarse, turn the buttonhole fine-adjustment screw with a large screwdriver in the direction. If the left side is too fine, turn the buttonhole fine-adjustment screw with a large screwdriver in the + direction. This adjustment ensures both sides of the buttonhole are the same. 2 1 3 buttonhole, do not put your hand or finger in the path of the ripper. The seam ripper may slip and you may be injured.

Adjusting Buttonholes If the stitching on the two sides of the buttonhole is not the same, you can make the following adjustments. Set the stitch length dial between "F" and 1.

5 1 and sew the buttonhole on a scrap piece of fabric to observe how the material is fed. 2 or fine, adjust the feeding of the material with 4 4 4 If the right side of the buttonhole is too coarse the stitch length dial. 1 1 2 3 4 Stitich length dial Buttonhole fine-adjustment screw Left side Buttonhole appearance 2 3 1 Right side 2 Shorter 3 Longer 35 SEWING BUTTONHOLES AND BUTTONS ----- 7 At a slow speed, sew about 10 stitches. Sewing Buttons Stitich Stitich Stitich Width Name Pattern Length [mm (inch)] [mm (inch)] Zigzag Stitich F (1/64) Any Foot Other Button Sewing Darning Plate Foot 1 buttonholes and set the pattern selection dial Measure the distance between the to the Zigzag Stitich, and set the width you want.

2 outlet. 3 4 8 the upper and lower threads and tie both Remove the material from the machine. Cut threads at the back of the material. Remove the power supply plug from the Change the foot to the button sewing foot. Place the darning plate on the needle plate. CAUTION Make sure the needle does not hit the button during sewing.

The needle may break and you may be injured. 5 outlet. Connect the power supply plug into the wall 6 and make sure that the needle enters the holes Put a button between the foot and the fabric without hitting the button. If it hits, see step 1. 36 5 USING ATTACHMENTS AND APPLICATIONS 4 top on both sides.

The needle should be Sew from the bottom of the zipper toward the positioned on the zipper side of the foot for best results. Zipper Insertion Stitich Name Straight Stitich Pattern Stitich Stitich Length Width [mm (inch)] [mm (inch)] 2-3 (1/16-1/8) 2.5 (center) (3/32) Foot Zipper Foot You can use the zipper foot to sew different types of zippers, and can easily position it to the right or left side of the needle. When sewing the right side of the zipper, attach the shank to the left pin of the zipper foot. When sewing the left side of the zipper, attach the shank to the right pin of the zipper foot.

1 2 5 turn the machine off and raise the presser foot To sew the opposite side of the zipper, first 3 1 Zipper foot 2 Right pin for sewing the left side of the zipper 3 Left pin for sewing the right side of the zipper lever. Release the zipper foot by pressing the button located at the back of the foot, then fit the foot on the other side of the zipper. Continue sewing using the pin on that side of the zipper foot. 5 CAUTION Make sure the needle does not hit the Set the pattern selection dial to the Straight 1 Stitich. Set the stitch length between 2 (1/16 inch) and 3 (1/8 inch). Set the stitch width at 2.5 (3/32 inch). 2 or right pin of the zipper foot onto the shank. zipper during sewing. If the needle hits the zipper, the needle may break and you may be injured.

Lower the presser foot lever and fix either the left 3 and place the zipper under the folded section. Fold the edge of the material 2 cm (3/4 inch) Lower the needle into the notch located either on the left or right side of the zipper foot. CAUTION Turn the handwheel by hand to make sure the needle does not hit the zipper foot before you start sewing. Choosing a different stitch will cause the needle to hit the presser foot and break, and you may be injured. 37 USING ATTACHMENTS AND APPLICATIONS ----- Gathering Stitich Name Pattern Stitich Length [mm (inch)] 4 (3/16) Darning Stitich Name Straight Stitich Pattern Stitich Length [mm (inch)] Any Foot Other Straight Stitich Zigzag Presser Darning Plate Foot 1 Stitich. Set the pattern selection dial to Straight 1 outlet. Put the darning plate on the needle Remove the power supply plug from the Loosen the tension of the upper thread so that 2 the lower thread lies on the underside of the material. 3 stitches. 4 plate. Connect the power supply plug to the wall outlet.

Sew a single row (or many rows) of straight Pull the lower threads to gather the material. 2 Stitich. Set the pattern selection dial to the Straight 3 presser foot together with fabric for Put the section you want to darn under the reinforcement. 4 Lower the presser foot. Begin sewing by alternating between gently it toward you.

5 drawing the work away from you and pulling 6 filled with parallel lines of stitching. Repeat this motion until the darn section is 38 Appliqués Stitich Name Pattern Zigzag Stitich Stitich Length Stitich Width [mm (inch)] [mm (inch)] F-2 (1/64-1/16) Any Monogramming and Embroidering Stitich Name Zigzag Stitich Stitich Length Pattern [mm (inch)] Any Stitich Width Foot [mm (inch)] Any Other You can create an applique by cutting a different piece of fabric into a shape and using it as a decoration. 1 None Darning Plate Baste the cut design to the fabric. Preparing for Monogramming and Embroidering 1 outlet. Place the darning plate on the needle Carefully sew around the edge of the design 2 with a zigzag stitch.

Remove the power supply plug from the plate, and reconnect the power supply plug to the wall outlet. 3 stitching. Cut away any fabric that is left outside the 2 Set the pattern selection dial to Zigzag Stitich. Draw the lettering (for monogramming) or the fabric.



[You're reading an excerpt. Click here to read official BROTHER](#)

[XL-2600 user guide](#)

<http://yourpdfguides.com/dref/2359690>



5 3 design (for embroidering) on the surface of 4 as firmly as possible, with the underside of the Stretch the fabric between embroidery hoops fabric on the bottom of the inside hoop. 5 presser bar with the foot removed. 4 Put the work under the needle and lower the Remove the basting, if necessary. 6 position by turning the handwheel and make a Pull the lower thread up through the starting few holding stitches. Memo Make reinforcing straight stitches at the beginning and the end of the zigzag stitching. CAUTION Be careful that the needle does not hit a pin during sewing.

The needle could break, and you may be injured. 39 USING ATTACHMENTS AND APPLICATIONS

----- 7 forefingers while pressing the fabric with your Grip the hoop with your thumbs and Embroidering 1 embroidery hoop. middle and third fingers and supporting the outside of the hoop with your little fingers. Stitch the outline of the design by moving the CAUTION Keep fingers away from moving parts, 2 of the design to the inside and from the inside Fill in the design alternating from the outline to the edge of the outline until the design is completely filled in. Keep the stitching close together. especially needles. Monogramming 1 lettering at a constant speed. 2 of the last letter. Sew by moving the hoop slowly along the Secure with a few straight stitches at the end Memo You can make long stitches by moving the embroidery hoop rapidly and short stitches by moving it slowly. 3 of the design.

Secure with a few straight stitches at the end CAUTION Keep fingers away from moving parts, especially needles. CAUTION Keep fingers away from moving parts, especially needles. 40 OPTIONAL ACCESSORIES Using the Walking Foot Stitch Name Stitch Stitch Pattern Length Width [mm (inch)] [mm (inch)] 1-4 (1/16-3/16) 1-4 (1/16-3/16) 2-3 (1/16-1/8) 0-5 (0-3/16) 4 lever to the needle clamp, and fit the walking Attach the forked section of the connecting foot to the presser bar. 1 Straight Stitch Zigzag Stitch 2 This foot is very useful for sewing materials such as vinyl cloth, synthetic leather, thin leather, etc. These materials are difficult to feed when sewing.

The walking foot prevents these materials from crumpling, slipping or sticking between the presser foot and the material. 3 Note Only use the walking foot with straight or zigzag stitches. Do not use other patterns. Reverse stitches can not be sewn with the walking foot. 1 Forked part of operation lever 2 Presser bar holder 3 Needle clamp 5 the presser foot screw.

5 Remove the power supply plug from the 1 outlet. 2 Lower the presser foot lever and then tighten Raise the needle and the presser foot. Loosen the presser foot screw to remove the 3 presser foot holder. 2 1 1 1 Screwdriver 2 Presser foot holder 3 Presser foot screw 1 Presser foot screw 3 41 USING ATTACHMENTS AND APPLICATIONS ----- 4 A shown in the illustration is above the Attach the quilting foot, making sure that part needle clamp screw. Then lower the presser foot lever and tighten the presser foot screw. · Make sure that the needle clamp screw is firmly tightened. CAUTION Use a screwdriver to tighten the screw securely. If the screw is loose, the needle may hit the presser foot and you may be injured. Before you start sewing, make sure you turn the handwheel toward you (counterclockwise) to check that the needle does not hit the presser foot. Be careful not to touch the needle, otherwise you may be injured.

A 1 2 Note When sewing with the walking foot, sew at medium to low speeds. 1 Presser foot screw 2 Needle clamp screw CAUTION Using the Quilting Foot Stitch Name Straight Stitch Stich Stich Pattern Length Width [mm (inch)] [mm (inch)] Any 2.5 (3/32) Other Darning Plate Be careful not to touch the needle, otherwise you may be injured. Use a screwdriver to tighten the presser The Quilting Foot is useful for darning and free-motion machine quilting. 1 outlet. 2 foot holder screw securely. If the screw is loose, the needle may hit the presser foot and you may be injured. Before you start sewing, make sure you turn the handwheel toward you (counterclockwise) to check that the needle does not hit the presser foot. 5 Connect the power supply plug to the wall Remove the power supply plug from the Put the darning plate on the needle plate. outlet.

Raise the needle and the presser foot. Loosen the presser foot screw to remove the 3 presser foot holder. 2 1 1 Screwdriver 2 Presser foot holder 3 Presser foot screw 3 6 Stich. Set the pattern selection dial to the Straight · Before starting to sew, draw the quilting design on the fabric. 42 7 stretched and move the fabric to sew over the Use both hands to keep the fabric firmly drawn design.

3 Attach the 1/4-inch Quilting Foot. Position the presser foot over the fabric and 4 sew as shown in the illustration below. Achieving an Accurate Seam Allowance 1 1 2 1 Quilting design 8 quickly you move the fabric and on the The length of the stitch depends on how machine's sewing speed. Sew while moving the fabric slowly. 3 4 1 2 3 4 Beginning of stitching Align this mark with the edge of the fabric.

End of stitching Align this mark with the edge of the fabric. Using the 1/4-inch Quilting Foot Stich Name Stich Stich Pattern Length Width [mm (inch)] [mm (inch)] 2-2.5 2.5 (center) (1/16-3/32) (3/32) Quickly Stich Together a Quilt 1 Straight Stich 5 You can use the 1/4-inch Quilting Foot to sew fixed seams when piecing together a quilt. 2 1 Top of fabric 2 Seam 3.2 mm (1/8 inch) 1 1 Seam allowance 6.5 mm (1/4 inch) 1 outlet. Remove the power supply plug from the 2 Stich. Set the stitch length between 2 (1/16 Set the pattern selection dial to the Straight inch) and 2.5 (3/32 inch).

Set the stitch width at 2.5 (3/32 inch) (center). 43 APPENDIX ----- 6 APPENDIX MAINTENANCE Changing the Light Bulb CAUTION Turn off the main power switch and 4 Put the light cover back on and fasten the screw. unplug the machine before you change the light bulb. If the main power switch is on when you change the light bulb, you may get an electric shock. If the machine is on and you step on the foot controller, you may be injured. To avoid burns, let the light bulb cool down before you change it. Remove the power supply plug from the 1 outlet. 2 head. Then remove the light cover from the Cleaning CAUTION Make sure you unplug the machine before you clean it, otherwise you risk getting an electric shock or being injured.

1 2 Loosen the screw on the back of the sewing Switch the machine off and unplug it.



[You're reading an excerpt. Click here to read official BROTHER XL-2600 user guide](http://yourpdfguides.com/dref/2359690)  
<http://yourpdfguides.com/dref/2359690>

Raise the needle and the presser foot. Loosen the presser foot screw and the needle holder and the needle. machine. 3 clamp screw to remove the presser foot  
3 Replace the sewing light bulb.

4 and then slide it toward you to remove the 1 2 3 Grasp both sides of the needle plate cover, needle plate cover. 1 Bulb 2 Loosen 3 Tighten 1 Needle plate  
cover 1 4 5 Lift up the needle plate as shown in the Using a coin, remove the two screws. 8 on the bobbin case aligns with the spring. Insert the bobbin case  
so that the projection illustration, and then slide the needle plate to the left to remove it. 1 Use a coin or screwdriver Grasp the bobbin case, and then lift it out  
to 6 the left.

1 Projection 2 Spring 9 to secure it, and then tighten the screws. Install the needle plate, sliding it to the right Make sure that the tab on the left side of the  
needle plate is aligned with the notch in the bobbin case. 3 7 remove any dust from the race and its Use the cleaning brush or a vacuum cleaner to  
surrounding area. 1 Tab 2 Notch 3 Screws 0 Insert the tabs on the needle plate cover into 6 Install the needle plate cover. the notches in the needle plate, and  
then slide the cover back into position. CAUTION Never use a bobbin case that is 1 Cleaning brush 2 Race ·Do not apply oil to the bobbin case. scratched;  
otherwise the upper thread may become tangled, the needle may break, or sewing performance may suffer. For a new bobbin case (part code: XC8993-021),  
contact your nearest authorized service center. Make sure that you fit the bobbin case properly, otherwise the needle may break. 45 APPENDIX

----- Troubleshooting If the machine stops working properly, check the  
following possible problems.

@@Symptom Possible cause The machine is not plugged in. The sewing machine does not work. The bobbin-winder shaft is pushed to the right. You have not  
used the foot controller properly. The needle is not fitted properly. The needle clamp screw is loose. The needle is bent or blunt. You have not used the right  
combination of fabric, thread and needle. @@You are pulling the fabric too much. How to put it right Plug the machine in.

Move the bobbin-winder shaft to the left. Use the foot controller properly. Fit the needle properly. Use the screwdriver to firmly tighten the screw. Replace the  
needle.

@@@Lightly guide the fabric. Reference page 7 page 8 page 17 page 8 page 8 page 9 page 8 page 26 The main power switch is turned off. Turn on the  
main power switch. page 25 The upper thread tension is too tight. Loosen the upper thread tension.

The needle breaks. You have not fitted the spool properly. Fit the spool properly. the needle plate. @@authorized service center. The area around the hole in  
the presser foot is scratched. The bobbin case is scratched. You have not used a bobbin that has been designed for this machine. You have not threaded the  
upper thread properly. (For example, you have not fitted the spool properly, or the thread has come out of the guide above the needle.

) There are knots or tangles in the thread. The upper thread breaks. The needle is not appropriate for the thread you are using. Replace the presser foot.  
Contact your retailer or the nearest authorized service center. Replace the bobbin case. Contact your retailer or the nearest authorized service center.  
Incorrect bobbins will not work properly. Only use a bobbin that has been designed for this machine. page 21, 25 page 16 Correct the upper threading.  
page 21 Remove any knots or tangles. Choose a needle that is appropriate for the type of stitch. Remove the tangled thread. If the thread is tangled in the  
bobbin case, clean the bobbin case. Replace the needle.

@@Loosen the upper thread tension. The thread is tangled. The needle is bent or blunt. @@@@authorized service center. The area around the hole in the  
presser foot is scratched.

The bobbin case is scratched, or has a burr on it. You have not used a bobbin that has been designed for this machine. You have not wound the bobbin thread  
properly. The bobbin is scratched or does not turn smoothly. The lower thread is tangled or breaks. The thread is tangled. You have not used a bobbin that  
has been designed for this machine. Bobbin is set incorrectly. You have not threaded the upper thread properly. You have not wound the bobbin thread  
properly.

@@The thread ten- You have not attached the presser sion is incorrect. foot holder properly. The thread tension is incorrect. You have not used a bobbin that  
has been designed for this machine. Bobbin is set incorrectly. You have not threaded the upper thread properly or fitted the bobbin properly. You have not  
fitted the spool properly. The fabric is wrinkled. You have not used the right combination of fabric, thread and needle. The needle is bent or blunt.

If you are sewing thin fabric, the stitch is too thick. The thread tension is incorrect. Replace the presser foot. Contact your retailer or the nearest authorized  
service center. Replace the bobbin case.

Contact your retailer or the nearest authorized service center. Incorrect bobbins will not work properly. Only use a bobbin that has been designed for this  
machine. Wind the bobbin properly. Replace the bobbin.

Remove the tangled thread and clean the bobbin case. Incorrect bobbins will not work properly. Only use a bobbin that has been designed for this machine.

Reset the bobbin thread correctly. Correct the upper threading. Wind the bobbin thread properly. @@Attach the presser foot holder properly. Adjust the  
tension of the upper thread. Incorrect bobbins will not work properly. Only use a bobbin that has been designed for this machine.

Reset the bobbin thread correctly. Thread the upper thread and wind the bobbin thread properly. Fit the spool properly. @@Replace the needle. Sew with  
stabiliser material under the fabric. Adjust the tension of the upper thread. The upper thread breaks. page 16 page 16 page 44 page 16 page 18, 19, 20  
page 21 page 16 page 26 page 25 page 16 page 18, 19, 20 page 18, 19, 21 page 21, 25 page 26 page 8 6 page 25 47 APPENDIX

----- Symptom Possible cause You have not threaded the upper thread  
properly. You have not used the right combination of fabric, thread and needle. How to put it right Correct the upper threading.

@@Replace the needle. Insert the needle properly. Remove the needle plate cover and clean the plate and the bobbin case. Clean the bobbin case. Correct  
the upper threading.

Replace the bobbin case. Contact your retailer or the nearest authorized service center. Incorrect bobbins will not work properly. Only use a bobbin that has  
been designed for this machine. Turn the handwheel toward you (counterclockwise) to raise the needle holder to the highest position.



[You're reading an excerpt. Click here to read official BROTHER  
XL-2600 user guide  
http://yourpdfguides.com/dref/2359690](http://yourpdfguides.com/dref/2359690)

*Insert the needle properly. @@Adjust the tension of the upper thread. Remove the tangled thread. If the thread is tangled in the bobbin case, clean the bobbin case. Lengthen the stitch length. Remove the darning plate. @@Remove the tangled thread. If the thread is tangled in the bobbin case, clean the bobbin case. Replace the sewing light bulb. Reference page 21 page 26 page 8 page 44 page 44 page 21 Stitches are skipped.*

*The needle is bent or blunt. You have not inserted the needle properly. Dust has accumulated under the needle plate or in the bobbin case. Dust has built up in the feed dogs or in the bobbin case. You have not threaded the upper thread properly. The bobbin case is scratched. You have not used a bobbin that has been designed for this machine. You have not moved the needle holder to its highest position. You have not inserted the needle properly. The presser foot that you are using is not correct for the type of stitch.*

*There is a highpitched noise while sewing. page 16 The needle threader can not be used. page 22 page 8 page 25 page 44 The stitch is not sewn correctly. The thread tension is incorrect. The thread is tangled.*

*The stitch is too fine. The darning plate is fitted on the needle plate. page 26 page 44 The fabric does not feed. You have not used the right combination of fabric, thread and needle. The thread is tangled.*

*The sewing light bulb does not come on. The sewing light bulb is damaged. page 44 48 INDEX Numerics 1/4-inch quilting foot .....*

.....  
.....  
.....  
.....

.....  
....43 Needle threader .

.....  
.....

.....  
.....  
.....  
.....

.....  
....22 O Overedge stitching .

.....  
.....

.....  
.....  
.....  
.....

.....  
31 A Accessories .....

.....  
.....

.....  
.....  
.....  
.....

.....  
.....

....6 optional .

.....  
.....

.....  
.....  
.....

.....  
.....

. 6, 41 Appliqués .....

.....  
.....  
.....

.....  
.....  
.....  
.....  
.....

*39 P Patchworking .....*

.....  
.....  
.....

.....  
.....  
.....  
.....

*...31 Pattern selection dial .....*

.....  
.....  
.....

.....  
.....  
.....

*.....11 Patterns ...*

.....  
.....  
.....  
.....

.....  
.....  
.....  
.....

*12 Presser foot changing .....*

.....  
.....

.....  
.....  
.....  
.....

.....  
.....

*..9 B Blind hem stitching ...*

.....

.....  
.....  
.....  
.....

.....

*..29 Bobbin winding ...*

.....  
.....

.....  
.....  
.....  
.....



.....  
.....  
...16 Buttonhole adjusting .  
.....

.....  
.....  
.....  
.....

.....  
.....  
.....  
.....35 making .....

.....  
.....  
.....  
.....

.....  
.....  
.....  
.....

...34 Buttonhole fine-adjustment screw .....

.....  
.....  
.....  
.....35 Buttons sewing ....

.....  
.....  
.....  
.....

.....  
.....  
.....  
.....36 Q Quick-set bobbin .....

.....  
.....  
.....  
.....

..... 19, 24 Quilting foot ....

.....  
.....  
.....  
.....

.....  
.....42 R Race cleaning ....

.....  
.....

.....  
.....  
.....  
.....  
.....  
*..44 Repacking instructions ...*  
.....

.....  
.....  
.....  
.....  
.....  
*.....2 Reverse sewing lever .*  
.....

.....  
.....  
.....  
.....  
.....  
.....  
.....

*..15 C Cleaning .....*  
.....  
.....  
.....  
.....  
.....  
.....  
.....

.....  
*...44 Connecting plugs ..*  
.....  
.....  
.....  
.....  
.....

.....  
*...7 S Satin stitch ..*  
.....  
.....  
.....  
.....  
.....  
.....  
.....

*.28 Shell tuck stitching .....*  
.....  
.....  
.....  
.....  
.....

.....  
*..29 Spool pin ...*  
.....

.....  
.....  
.....  
.....

.....  
.....  
.....

*16, 21 extra .....*

.....  
.....  
.....  
.....

.....  
.....  
.....  
.....

*..25 Stitch length dial .....*

.....  
.....  
.....

.....  
.....  
.....  
.....

*.14 Stitch width dial .....*

.....  
.....  
.....

.....  
.....  
.....  
.....

*.15 Stitches built-in .....*

.....  
.....  
.....

.....  
.....  
.....  
.....

*.....29 names .*

.....  
.....  
.....

.....  
.....  
.....  
.....

.....  
.....  
.....

*...12 Straight stitching ..*

.....  
.....

.....  
.....  
.....

.....  
.....  
.....  
.....  
.....  
.....  
*..27 Stretch stitching ...*

.....  
.....  
.....  
.....

.....  
.....  
.....  
.....  
.....  
.....  
*..15 D Darning ...*

.....  
.....  
.....  
.....

.....  
.....  
.....  
.....  
.....  
.....  
*.....38 Darning plate .*

.....  
.....  
.....  
.....

.....  
.....  
.....  
.....  
.....  
.....  
*...36, 38, 39, 42 Decorative stitching ..*

.....  
.....  
.....  
.....

.....  
.....  
.....  
.....  
.....  
.....  
*.....33 Double action stitching ...*

.....  
.....  
.....  
.....

.....  
.....  
.....  
.....  
.....  
.....  
*.....31 Drawing up the lower thread ....*

.....  
.....  
.....  
.....

.....  
.....  
.....  
.....  
.....  
.....  
*.....24 E Elastic stitching ....*

.....  
.....  
.....  
.....

.....  
.....  
.....

.....

.....30 Embroidering ...

.....  
.....  
.....

.....

.....  
.....  
.....

.....

.39 F Fabric, thread, and needle combinations ....

.....  
.....

...26 Feather stitching .....

.....  
.....  
.....

.....

.....  
.....  
.....

...32 Flat bed attachment .....

.....  
.....  
.....

.....

.....  
.....

.....10 Foot controller ...

.....  
.....  
.....  
.....

.....

.....  
.....  
.....

.8 Free-arm style .....

.....  
.....  
.....

.....

.....  
.....  
.....

....10 T Thread cutter .....

.....  
.....  
.....

.....

.....  
.....  
.....

.....28 Thread tension ..

.....  
.....  
.....

.....  
.....  
.....  
.....

.....  
25 Threading lower .....

.....  
.....

.....  
.....  
.....  
.....

.....  
... 18, 19 needle threader ..

.....  
.....

.....  
.....  
.....  
.....

.....22 twin needle .

.....  
.....  
.....

.....  
.....  
.....  
.....

.....  
.25 upper .....

.....  
.....

.....  
.....  
.....  
.....

.....  
.....  
.....

.21 Triple zigzag stretch stitching .....

.....  
.....  
.....  
.....

.32 Troubleshooting .....

.....  
.....  
.....

.....  
.....

.....  
.....  
*.46 Twin needle attaching .....*

.....  
.....  
.....  
.....  
.....  
.....

*. 9, 25 sewing .....*

.....  
.....  
.....  
.....  
.....  
.....

*24 G Gathering .....*

.....  
.....  
.....  
.....  
.....  
.....

*38 H Handwheel .....*

.....  
.....  
.....  
.....  
.....  
.....

*.....21 L Light bulb changing ...*

.....  
.....  
.....  
.....  
.....  
.....

*..44 Light switch .....*

.....  
.....  
.....  
.....  
.....  
.....

.....  
*8 Lower threading* .....

.....  
.....  
.....  
.....  
.....

.....  
*18 quick-set bobbin* .....

.....  
.....  
.....

..... *19, 24 U Unpacking instructions* ...

.....  
.....  
.....  
.....

..... *2 Upper tension control dial* ..

.....  
.....  
.....

..... *25 Upper threading* .....

.....  
.....  
.....  
.....  
.....

..... *21 W Walking foot* .....

.....  
.....  
.....  
.....  
.....

..... *41 M Main parts* ...

.....  
.....  
.....  
.....  
.....  
.....



.....  
..5 Main power ..

.....

.....

.....

.....

.....

.....

.....

.....

.....8 Maintenance ....

.....

.....

.....

.....

.....

.....

.....

.....

.44 Monogramming .....

.....

.....

.....

.....

.....

.....

.....

.39 Z Zigzag stitching .....

.....

.....

.....

.....

.....

.....

.....

..28 Zipper insertion .....

.....

.....

.....

.....

.....

.....

.....

..37 N Needle checking .....

.....

.....

.....

.....

.....

.....

.....

.....

8 combinations with fabric and thread .....

.....

.....  
.....26 replacing ....  
.....  
.....  
.....  
.....  
.....  
.....  
.....  
.....

.....  
...8 49 ENGLISH 885-S25/S27 XC6771-021 Printed in China .



[You're reading an excerpt. Click here to read official BROTHER  
XL-2600 user guide](#)

<http://yourpdfguides.com/dref/2359690>