



Your PDF Guides

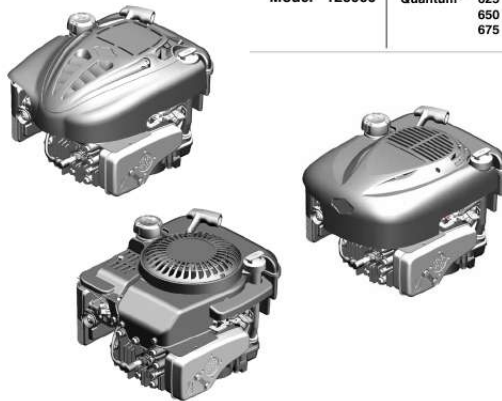
You can read the recommendations in the user guide, the technical guide or the installation guide for BRIGGS & STRATTON 120000 QUANTUM 675. You'll find the answers to all your questions on the BRIGGS & STRATTON 120000 QUANTUM 675 in the user manual (information, specifications, safety advice, size, accessories, etc.). Detailed instructions for use are in the User's Guide.

User manual BRIGGS & STRATTON 120000 QUANTUM 675
User guide BRIGGS & STRATTON 120000 QUANTUM 675
Operating instructions BRIGGS & STRATTON 120000 QUANTUM 675
Instructions for use BRIGGS & STRATTON 120000 QUANTUM 675
Instruction manual BRIGGS & STRATTON 120000 QUANTUM 675



- en** Operator's Manual
- bg** Инструкции за експлоатация
- cs** Návod k obsluze
- et** Kasutusjuhend
- hr** Priručnik za operatera
- hu** Kezelési útmutató
- it** Naudojimo instrukcija
- lv** Operatora rokasgrāmata
- pl** Instrukcja obsługi
- ro** Manual de utilizare
- ru** Руководство по эксплуатации
- sl** Priročnik za uporabo

Model 120000	Quantum® 625 Series™ 650 Series™ 675 Series™
--------------	--



Briggs & Stratton is a registered trademark of Briggs & Stratton Corporation

© 2009 Briggs & Stratton Corporation, Milwaukee, WI, USA. All rights reserved.

Form No. 277039EST C

English	Български	Čeština	eesti keel	Hrvatski	Magyar	Lietuvių	Latviešu	Polski	Română	Русский	Slovenčina
en	bg	cs	et	hr	hu	lt	lv	pl	ro	ru	sl



[You're reading an excerpt. Click here to read official BRIGGS & STRATTON 120000 QUANTUM 675 user guide](http://yourpdfguides.com/dref/3710212)
<http://yourpdfguides.com/dref/3710212>

Manual abstract:

NOTICE: This engine was shipped from Briggs & Stratton without oil. Before you start the engine, make sure you add oil according to the instructions in this manual. @@@@This difference is due to a variety of factors including, but not limited to, accessories (air cleaner, exhaust, charging, cooling, carburetor, fuel pump, etc.), application limitations , ambient operating conditions (temperature , humidity , altitude) , and engine-to-engine variability. Due to manufacturing and capacity limitations, Briggs & Stratton may substitute an engine of higher rated power for this Series engine. Gasoline and its vapors are extremely flammable and explosive. Turn engine off and let engine cool at least 2 minutes before removing the fuel cap. To allow for expansion of the gasoline, do not fill above the bottom of the fuel tank neck. @@If fuel spills, wait until it evaporates before starting engine. Do not crank engine with spark plug removed.

If engine floods, set choke (if equipped) to OPEN/RUN position, move throttle (if equipped) to FAST position and crank until engine starts. when Operating Equipment · Do not tip engine or equipment at angle which causes gasoline to spill. Never start or run the engine with the air cleaner assembly (if equipped) or the air filter (if equipped) removed. when Changing Oil · If you drain the oil from the top oil fill tube, the fuel tank must be empty or fuel can leak out and result in a fire or explosion. Transport with fuel tank EMPTY or with fuel shut-off valve OFF.

when Storing Gasoline Or Equipment With Fuel In Tank · Store away from furnaces, stoves, water heaters or other appliances that have pilot light or other ignition source because they can ignite gasoline vapors. The safety alert symbol is used to identify safety information about hazards that can result in personal injury. a signal word (DANGER , WARNING , or CAUTION) is used with the alert symbol to indicate the likelihood and the potential severity of injury. In addition, a hazard symbol may be used to represent the type of hazard. DANGER indicates a hazard which, if not avoided, will result in death or If there is natural or LP gas leakage in area, do not start engine.

Do not use pressurized starting fluids because vapors are flammable. WARNING indicates a hazard which, if not avoided, could result in death or CAUTION indicates a hazard which, if not avoided, could result in minor or NOTICE indicates a situation that could result in damage to the product. Breathing carbon monoxide can cause nausea, fainting or death. Do not start or run engine in enclosed area, even if doors or windows are open. Certain components in this product and its related accessories contain chemicals known to the State of California to cause cancer, birth defects, or other reproductive harm. Wash hands after handling. Rapid retraction of starter cord (kickback) will pull hand and arm toward engine faster than you can let go. Broken bones, fractures, bruises or sprains could result. When starting engine, pull the starter cord slowly until resistance is felt and then pull rapidly to avoid kickback. Rotating parts can contact or entangle hands, feet, hair, clothing, or accessories.

Keep hands and feet away from rotating parts. tie up long hair and remove jewelry. Do not wear loose-fitting clothing, dangling drawstrings or items that could become caught. Disconnect the spark plug wire and keep it away from the spark plug. Do not tamper with governor spring, links or other parts to increase engine speed. Do not strike the flywheel with a hammer or hard object because the flywheel may later shatter during operation. Do not check for spark with spark plug removed. Engine parts, especially muffler, become extremely hot. Allow muffler, engine cylinder and fins to cool before touching.

Remove accumulated debris from muffler area and cylinder area.

It is a violation of California Public Resource Code, Section 4442, to use or operate the engine on any forest-covered, brush-covered, or grass-covered land unless the exhaust system is equipped with a spark arrester, as defined in Section 4442, maintained in effective working order. Other states or federal jurisdictions may have similar laws. Compare the illustration 1 with your engine to familiarize yourself with the location of various features and controls. Do not mix oil in gasoline or modify the engine to run on alternate fuels. This will damage the engine components and void the engine warranty.

To protect the fuel system from gum formation, mix a fuel stabilizer into the fuel. If starting or performance problems occur, change fuel providers or change brands. Operation of the engine at altitudes below 2,500 feet (762 meters) with the high altitude kit is not recommended. Gasoline and its vapors are extremely flammable and explosive. Turn engine off and let engine cool at least 2 minutes before removing the fuel cap.

To allow for expansion of the gasoline, do not fill above the bottom of the fuel tank neck. @@If fuel spills, wait until it evaporates before starting engine. 1. Clean the fuel cap area of dirt and debris. Fill the fuel tank (B) with gasoline. To allow for expansion of the gasoline, do not fill above the bottom of the fuel tank neck (C). Other high-quality detergent oils are acceptable if classified for service SF, SG, SH, SJ or higher. Do not use special additives. Rapid retraction of starter cord (kickback) will pull hand and arm toward engine faster than you can let go. Broken bones, fractures, bruises or sprains could result.

When starting engine, pull the starter cord slowly until resistance is felt and then pull rapidly to avoid kickback. Below 40°F (4°C) the use of SAE 30 will result in hard starting. ** Above 80°F (27°C) the use of 10W-30 may cause increased oil consumption. Check oil level more frequently. Gasoline and its vapors are extremely flammable and explosive. Do not crank engine with spark plug removed. If engine floods, set choke (if equipped) to OPEN/RUN position, move throttle (if equipped) to FAST position and crank until engine starts. Before adding or checking the oil · Clean the oil fill area of any debris. 1.

Remove the dipstick (A) and wipe with a clean cloth (Figure 2).

If low, add oil slowly into the engine oil fill (C). do not overfill. After adding oil, wait one minute and then recheck the oil level. Breathing carbon monoxide can cause nausea, fainting or death. Do not start or run engine in enclosed area, even if doors or windows are open.

Fuel must meet these requirements: · Clean, fresh, unleaded gasoline. **NOTICE:** This engine was shipped from Briggs & Stratton without oil. Before you start the engine, make sure you add oil according to the instructions in this manual. @@@@Your engine will have one of the following types. @@@@This type does not have a primer.

@@@@Wait one minute between starting cycles. Make sure equipment drive controls, if equipped, are disengaged. Note: Choke is usually unnecessary when restarting a warm engine.



[You're reading an excerpt. Click here to read official BRIGGS & STRATTON 120000 QUANTUM 675 user guide](http://yourpdfguides.com/dref/3710212)
<http://yourpdfguides.com/dref/3710212>

7. Make sure equipment drive controls, if equipped, are disengaged. Pull the starter cord handle slowly until resistance is felt, then pull rapidly (Figure 4). **WARNING:** Rapid retraction of the starter cord (kickback) will pull your hand and arm toward the engine faster than you can let go. Broken bones, fractures, bruises or sprains could result. When starting engine, pull the starter cord slowly until resistance is felt and then pull rapidly to avoid kickback. cOM or call 1-800-233-3723 (in USA).

Wait one minute between starting cycles. 10. As the engine warms up, move the choke control (G) to the run (Figure 7). Rapid retraction of the starter cord (kickback) will pull your hand and arm toward the engine faster than you can let go. Broken bones, fractures, bruises or sprains could result. When starting engine, pull the starter cord slowly until resistance is felt and then pull rapidly to avoid kickback. cOM or call 1-800-233-3723 (in USA).

Wait one minute between starting cycles. Gasoline and its vapors are extremely flammable and explosive. Release the engine stop lever (A, Figure 5) or Engine with Throttle Control: Move the throttle control (B, Figure 8) to the stop position or Engine with Stop Switch: Push the stop switch (C, Figure 8) to the off position or Engine with Electric Start: Turn the electric start switch to the off/stop position.

Engine with optional Fuel Shut-off: After the engine stops, turn the fuel shut-off valve (D, Figure 8) to the closed position. Make sure equipment drive controls, if equipped, are disengaged. Push the red primer (F) three times. Note: Priming is usually unnecessary when restarting a warm engine. Note: If you push the primer too many times, excessive fuel will flood the carburetor and the engine will be difficult to start.

7. Pull the starter cord handle slowly until resistance is felt, then pull rapidly (Figure 6). Note: If the engine does not start after repeated attempts, repeat Steps 6, 7, and 8. Other parts may not perform as well, may damage the unit, and may result in injury. In addition, use of other parts may void your warranty.

We recommend that you see any Briggs & Stratton Authorized Dealer for all maintenance and service of the engine and engine parts. **NOTICE:** All the components used to build this engine must remain in place for proper operation. **WARNING:** Rapid retraction of the starter cord (kickback) will pull your hand and arm toward cause severe burns or death. Never start or run the engine with the air cleaner assembly or the air filter removed. Gasoline and its vapors are extremely flammable and explosive. Fuel System Fuel can become stale when stored over 30 days. The engine and fuel can then be stored up to 24 months. Run the engine until it stops from lack of fuel. Engine Oil While the engine is still warm, change the engine oil. **NOTICE:** Do not use pressurized air or solvents to clean the filter.

If the filter is excessively dirty, replace with a new filter. Install the cover tabs (F) into the slots (G). 8. Close the cover and secure with the fastener.

Gasoline and its vapors are extremely flammable and explosive. fire or explosion can cause severe burns or death. If fuel spillion.

(Contact equipment manufacturer. OIL GARD may not shut down running engine. Engine damage may occur if oil level is not properly maintained.

Parts damaged by over-speeding, or overheating caused by grass, debris, or dirt, which plugs or clogs the cooling fins, or flywheel area, or damage caused by operating the engine in a confined area without sufficient ventilation. clean engine debris at recommended intervals as stated in the Operator's Manual. Engine or equipment parts broken by excessive vibration caused by a loose engine mounting, loose cutter blades, unbalanced blades or loose or unbalanced impellers, improper attachment of equipment to engine crankshaft, over-speeding or other abuse in operation. A bent or broken crankshaft, caused by striking a solid object with the cutter blade of a rotary lawn mower, or excessive v-belt tightness. Locate your nearest Authorized Service Dealer in our dealer locator map on BRIGGSandSTRATTON.

EPA, and Briggs & Stratton (B&S) are pleased to explain the emissions control system warranty on your Model Year 2008 and later engine/equipment. In

California, new small off-road engines must be designed, built, and equipped to meet the State's stringent anti-smog standards. B&S must warrant the emissions control system on your engine/equipment for the periods of time listed below provided there has been no abuse, neglect, or improper maintenance of your small off-road engine. Your emissions control system may include parts such as the carburetor or fuel injection system, fuel tank, ignition system, and catalytic converter. Also included may be hoses, belts, connectors, sensors, and other emissions-related assemblies.

Where a warrantable condition exists, B&S will repair your engine/equipment at no cost to you including diagnosis, parts, and labor. As the small engine/equipment owner, you are responsible for the performance of the required maintenance listed in your owner's manual. B&S recommends that you retain all receipts covering maintenance on your engine/equipment, but B&S cannot deny warranty solely for the lack of receipts or your failure to ensure the performance of all scheduled maintenance. As the engine/equipment owner, you should however be aware that B&S may deny you warranty coverage if your engine/equipment or a part has failed due to abuse, neglect, improper maintenance, or unapproved modifications. You are responsible for presenting your engine/equipment to a B&S distribution center, servicing dealer, or other equivalent entity, as applicable, as soon as a problem exists. The warranty repairs should be completed in a reasonable amount of time, not to exceed 30 days. If you have any questions regarding your warranty rights and responsibilities, you should contact B&S at (414) 259-5262. Small off-road engines are warranted for two years. If any emissions-related part on your engine/equipment is defective, the part will be repaired or replaced by B&S. The following are specific provisions relative to your Emissions Control Warranty Coverage.

It is in addition to the B&S engine warranty for non-regulated engines found in the Operator's Manual. 1. Warranted Emissions Parts Coverage under this warranty extends only to the parts listed below (the emissions control systems parts) to the extent these parts were present on the engine purchased. Fuel line, fuel line fittings, clamps · Connectors and assemblies Length of Coverage For a period of two years from date of original purchase, B&S warrants to the original purchaser and each subsequent purchaser that the engine is designed, built, and equipped so as to conform with all applicable regulations adopted by the Air Resources Board; that it is free from defects in material and workmanship that could cause the failure of a warranted part; and that it is identical in all material respects to the engine described in the manufacturer's application for certification.



[You're reading an excerpt. Click here to read official BRIGGS & STRATTON 120000 QUANTUM 675 user guide](http://yourpdfguides.com/dref/3710212)
<http://yourpdfguides.com/dref/3710212>

@@@Any warranted part that is scheduled only for regular inspection in the owner's manual supplied, is warranted for the warranty period stated above. any such part repaired or replaced under warranty will be warranted for the remaining warranty period. Any warranted part that is scheduled for replacement as required maintenance in the owner's manual supplied, is warranted for the period of time prior to the first scheduled replacement point for that part. if the part fails prior to the first scheduled replacement, the part will be repaired or replaced by B&S at no charge to the owner.

@@@Consequential Coverage Coverage shall extend to the failure of any engine components caused by the failure of any warranted emissions parts. Claims and Coverage Exclusions Warranty claims shall be filed according to the provisions of the B&S engine warranty policy.

Warranty coverage does not apply to failures of emissions parts that are not original equipment B&S parts or to parts that fail due to abuse, neglect, or improper maintenance as set forth in the B&S engine warranty policy. B&S is not liable for warranty coverage of failures of emissions parts caused by the use of add-on or modified parts. Engines that are certified to meet the California Air Resources Board (CARB) Emissions Standard must display information regarding the Emissions Durability Period and the Air Index. Briggs & Stratton makes this information available to the consumer on our emissions labels. the engine emissions label will indicate certification information.

The Emissions Durability Period describes the number of hours of actual running time for which the engine is certified to be emissions compliant, assuming proper maintenance in accordance with the Operating & Maintenance Instructions. The following categories are used: Moderate: Engine is certified to be emissions compliant for 125 hours of actual engine running time. Intermediate: Engine is certified to be emissions compliant for 250 hours of actual engine running time. Extended: Engine is certified to be emissions compliant for 500 hours of actual engine running time. For example, a typical walk-behind lawn mower is used 20 to 25 hours per year.

Therefore, the Emissions Durability Period of an engine with an intermediate rating would equate to 10 to 12 years. Briggs & Stratton engines are certified to meet the United States Environmental Protection Agency (USEPA) Phase 2 emissions standards. For Phase 2 certified engines, the Emissions Compliance

Period referred to on the Emissions Compliance label indicates the number of operating hours for which the engine has been shown to meet Federal emissions requirements. for engines less than 225 cc displacement. Category C = 125 hours, Category B = 250 hours, Category A = 500 hours For engines of 225 cc or more displacement. Category C = 250 hours, Category B = 500 hours, Category A = 1000 hours
Atļaidiet dzinja aptursanas sviru (A, Attlu 5) vai Dzinjam ar droseles vadbu: Virziet droseles vadbu (B, Attlu 8) uz stop (apturt) stvokli vai Dzinjam ar aptursanas sldzi: Nospiediet aptursanas sldzi (C, Attlu 8) uz off (izslgts) stvokli vai Dzinjam ar elektrisko iedarbinsanu: Pagrieziet elektrisks iedarbinsanas sldzi uz off (izslgts)/stop (apturt) stvokli. Nu purtaji haine largi, *nururi care atarnā sau articole care ar putea fi agāpate. Eliberaji maneta de oprire a motorului (A, Figura 5) sau Motoare cu comandā de accelerāpie: Deplasaji comanda de accelerāpie (B, Figura 8) ņ pozīpia stop (oprire) sau Motoare cu comutator de oprire: Apāsaji comutatorul de oprire (C, Figura 8) ņ pozīpia off (oprire) sau Motoare cu pornire electricā: Rotīpi comutatorul de pornire electricā ņ pozīpia off (oprire)/stop
Consultaĵi manualul aparatului pentru detalii referitoare la amplasarea *i modul de utilizare al comutatorului. NOTIFICARE: Producātorul echipamentului pe care e instalat motorul a precizat turāpia maximā la care poate fi utilizat acest motor. Pentru a evita eventualele neņpelegeri care pot interveni ņtre clienĵi *i distribuitori, vā prezentām enumerate mai jos cāteva dĶn cauzele defectārii motorului pentru care nu se aplicā garanĵia.



[You're reading an excerpt. Click here to read official BRIGGS & STRATTON 120000 QUANTUM 675 user guide](http://yourpdfguides.com/dref/3710212)
<http://yourpdfguides.com/dref/3710212>