



Your PDF Guides

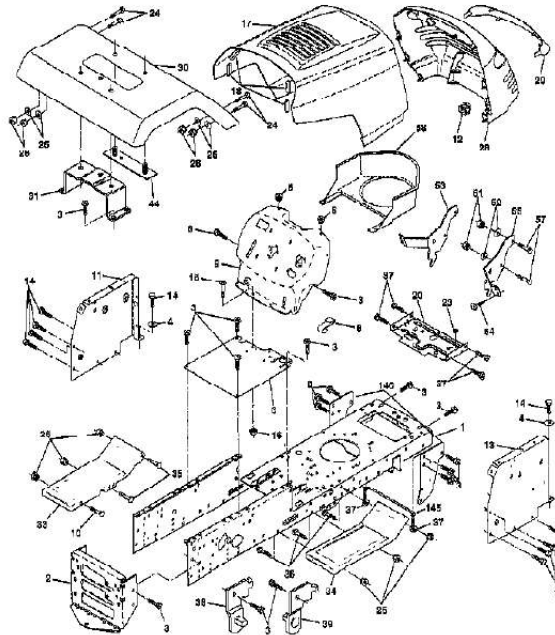
You can read the recommendations in the user guide, the technical guide or the installation guide for AYP YPQ20H46A. You'll find the answers to all your questions on the AYP YPQ20H46A in the user manual (information, specifications, safety advice, size, accessories, etc.). Detailed instructions for use are in the User's Guide.

User manual AYP YPQ20H46A
User guide AYP YPQ20H46A
Operating instructions AYP YPQ20H46A
Instructions for use AYP YPQ20H46A
Instruction manual AYP YPQ20H46A

YPQ20H46A (1999)
CHASSIS/ENCLOSURES

Page 1 of 24

TRACTOR - - MODEL NUMBER YPQ20H46A CHASSIS AND ENCLOSURES



[You're reading an excerpt. Click here to read official AYP YPQ20H46A user guide](http://yourpdfguides.com/dref/441443)
<http://yourpdfguides.com/dref/441443>

Manual abstract:

STAMPING SUB= 145009 SCREW WASHER BUMPER-HOOD/DASH SADDLE "CLIP,INSULATOR" DASH.SILKSCREENED SUB= 72110608 "PANEL-DASH,LH" CLIP.TINNERMAN PANEL DASH SCREW LT SCREW NUT "HOOD W/TRIM,MS428" SUB= 532126938 "PLATE-MTG,BATT/FU" SUB= 532124028 BOLT WASHER NUT GRILL GRILLE.LENS FENDER.PNT.YTGT.WS. @@@@BRACKET.CLUT.MTG.
NUT SPRING ROD LT WASHER COTTER PIN ROD.BRAKE.PARK.LT PLUNGER CAP T TRANSAXLE MTG BKT BOLT BOLT SHAFT ASM-PEDAL F NYLON BEARING WASHER LT SUB= 2882J FLAT IDLER PULLEY BOLT SPACER T "KEEPER,BELT.IDLER FLAT" WASHER SUB= 139245 BELLCRANK.

CLUTCH RETAIN BELT SUB= 74930624 SUB= 73690600 SUB= 73690500 "LINK, CLUTCH T" "SPRING, RETURN LT" SUB= 74780620 "BELT.GD DRV 82"" KEEPER BELT CNTSP SCREW PEDAL COVER T PULLEY.CLUTCH.EVX LOCKWASHER KEEPER-BELT SCREW HEXWSH H-L STRAP TORQ LH HYD "STRAP-TORQUE,RH" SPACER SPLIT WASHER E-RING LT SQUARE KEY WASHER SHAFT.ASM.

CROSS "SPRING,TORSION" Page 6 of 24 YPQ20H46A (1999) DRIVE Ref# 83 84 89 93 94 95 96 97 98 100 102 103 104 105 145 146 147 150 151 156 157 158 159 160 161 162 163 164 165 166 168 169 171 Part Number 19171216 165815 164892X428 142564 140462 167696 4497H 140469 73510600 19111216 141322 73940800 140156 71070516 74490540 74490536 74490524 165850 19133210 166002 153236 165589 165494 19292016 72140406 73680400 74780416 19091010 165623 166880 165492 165581 17490608 Qty Description WASHER LINK.TRANSAXLE.LT/YT CONSOLE.SHIFT.AUTO.YT/GT.BLACK "LINE FUEL HYD 4"" "FAN 7"" HYDRO" CONTROL.ASM.BYPASS.HYDRO.

99 RETAINER M BOLT KEEPER RH NUT WASHER M WASHER BELLEVILLE SUB= 73360800 ARM CONTROL HYDRO SCREW CAP 5/16-18 BOLT.HEX.FLGHD BOLT.HEX.FLGHD. @@@@BOLT.5/16-18.UNC SHIELD.HEAT.MUFF.

@@@@46"" Page 13 of 24 YPQ20H46A (1999) MOWER DECK Ref# Part Number 143651 Qty Description MANDREL SERV ASM Page 14 of 24 YPQ20H46A (1999) MOWER LIFT Page 15 of 24 YPQ20H46A (1999) MOWER LIFT Ref# 1 2 3 4 5 6 7 8 11 12 13 15 16 17 18 19 20 23 24 25 26 27 28 29 30 31 32 36 37 38 40 41 49 50 Part Number 159460 159471 105767X 12000002 19211621 120183X 125631X 124526X 139865 139866 4939M 127218 73350800 130171 73680800 139868 163552 110807X 19131016 2876H 76020308 126971X 73350600 138057 150233 140302 73540600 155097 123935X 17490512 19112410 123934X 145212 110452X Qty Description WIRE ASM W.SPRING "SHAFT ASM LIFT,RH" PIN-GROOVE LT SUB= 2225J WASHER NYLON BEARING GRIP HANDLE SUB= 125925X SUB= 918139865 SUB= 151140 SUB= 85902 LINK.FRONT NUT TRUNION NUT LTV ARM SUSP REAR RETAINER SPRING NUT T WASHER SPRING T SUB= 3145 SUB= 532126971 NUT KNOB INF 3/8-16 TRUNNION BEARING PVT LH NUT.CROWNLOCK.3/8 POINTER-INDICAT "PLUG,HOLE" SCREW WASHER HEIGHT INDICATOR NUT.
HXFLG.LOCK. @@TUBE Page 24 of 24 .



[You're reading an excerpt. Click here to read official AYP](#)

[YPQ20H46A user guide](#)

<http://yourpdfguides.com/dref/441443>