



Your PDF Guides

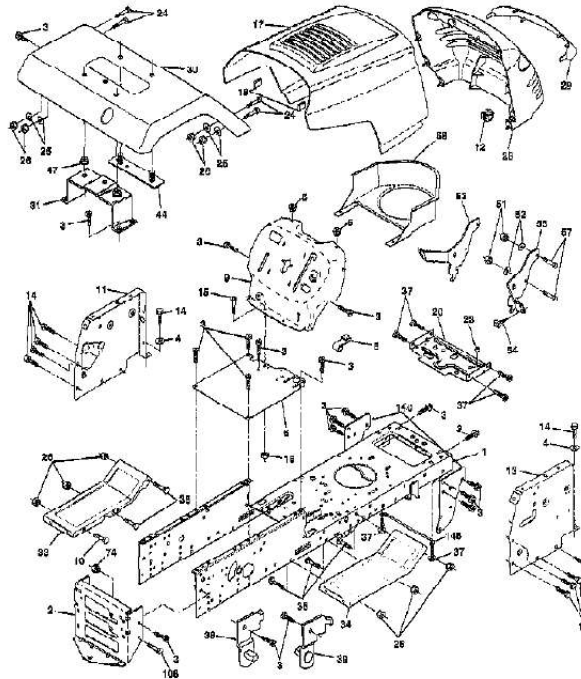
You can read the recommendations in the user guide, the technical guide or the installation guide for AYP YGTB18546A. You'll find the answers to all your questions on the AYP YGTB18546A in the user manual (information, specifications, safety advice, size, accessories, etc.). Detailed instructions for use are in the User's Guide.

User manual AYP YGTB18546A
User guide AYP YGTB18546A
Operating instructions AYP YGTB18546A
Instructions for use AYP YGTB18546A
Instruction manual AYP YGTB18546A

YGTB18546A (1999)
CHASSIS AND ENCLOSURES

Page 1 of 25

TRACTOR -- MODEL NUMBER YGTB18546A CHASSIS AND ENCLOSURES



[You're reading an excerpt. Click here to read official AYP YGTB18546A user guide](http://yourpdfguides.com/dref/441389)
<http://yourpdfguides.com/dref/441389>

Manual abstract:

SUPT.YP/HUSQ NUT WASHER BRACKET.GRILLE.LH SCREW.HEX.WS.HD BRACKET.GRILLE.RH EXT DASH LTYT SUB= 74780414 DUCT.AIR.
B&S.18HP SUB= 9151R DASH.LOWER.LT "PLATE DASH,SLKSCR" WASHER STRAP-GRILLE SUB= 73690600 SCREW WELDNUT HOOD LATCH T
SCREW SPACER LT NUT Page 2 of 25 YGTB18546A (1999) CHASSIS AND ENCLOSURES Ref # 86 87 90 91 92 108 135 136 137 138 139 140 145 152
Part Number 150303X428 150302X428 19091216 73220400 10040400 74760612 74291006 60867 110356X 110357X 150195 158418 156524 17720408
121794X 8022J Qty Description "PANEL ASM SIDE,RH" "PANEL ASM-SIDE,LH" WASHER PM SUB= 50675 LOCKWASHER SUB= 74780612
SCREW.10-24X3/8.

@@@CROSS TAPERED "SPRING,TORSION" WASHER LINK TRANSAXLE NUT.CNT.LOCK.1/4 CONSOLE.SHIFT.
6SP.GTV.BLACK NUT RETAINER M WASHER M SUB= 74780612 BRKT TRANS RH WASHER PM BOLT.HEX.FLGH D BUSHING.BELLCRANK.GRD.DR
WASHER WASHER.SRRTD.5/16 BRKT.

SHIFT.MOUNT HUB.SHIFT WASHER BOLT T SUB= 73690400 NLA WASHER.5/8X.281X10GA BRKT.PIVOT.LEVER SCREW.5/16-18X5/8
BOLT.SHOULDER.5/16-18X.

561 PLATE.FASTENING SCREW LT Page 8 of 25 YGTB18546A (1999) ELECTRICAL Page 9 of 25 YGTB18546A (1999) ELECTRICAL Ref # 1 2 8 10 11 12
16 19 20 21 22 24 25 26 27 28 29 30 31 32 33 40 41 42 43 44 45 50 51 52 55 70 80 81 Part Number 163465 74760412 7603J 145211 150109 145769 153664
10090400 73350400 166181 4152J 4799J 146148 166180 73510400 145491 160784 140301 124211X 141226 122147X 166150 71110408 131563 145673
73640400 122822X 154959 140405 141940 17490508 166664 146685 109748X Qty Description SUB= 123899X BOLT LT "TRAY T, BATTERY" SUB=
150177 HOLDDOWN BATTERY SUB= 150177 SWITCH INTERLOCK SUB= 10040400 NUT HARNESS.ASM.LIGHT W/4152J HEADLAMP BULB "CABLE
T, BATTERY" CABLE.6GA.

22W/16W FUSE.15 AMP NUT CABLE.GRND.6GA.21 SWITCH.

PLUNGER SWITCH IGN 4POS NUT IGNITION COVER KEY SWITCH KEY HARNESS.IGNITION BOLT HXHD FIN SUB= 154336 SUB= 146154 NUT
HXKEP 1/4X20 AMMETER PTO SWITCH.BLK RING RETAIN PTO PROTECTION LOOP SCREW LT HARNESS.ENGINE HARNESS.CLUT.EVX.

@@@@@@@@@SUB= 85902 LEVER.ASM.LIFT.RH LINK.

FRONT NUT TRUNION NUT LTV ARM SUSP REAR RETAINER SPRING NUT T WASHER SPRING T SUB= 3145 SUB= 532126971 NUT KNOB INF
3/8-16 TRUNNION BEARING PVT LH NUT.CROWNLOCK.3/8 POINTER HEIGHT INDICATOR "PLUG,HOLE" SCREW STOP.OVER.CENTER WASHER
HEIGHT INDICATOR SUB= 73690600 WASHER GT BOLT E-RING WASHER NUT.HXFLG.LOCK. @SRTG. BEAR. @@@@TUBE Page 25 of 25 .



[You're reading an excerpt. Click here to read official AYP](#)

[YGTB18546A user guide](#)

<http://yourpdfguides.com/dref/441389>