



Your PDF Guides

You can read the recommendations in the user guide, the technical guide or the installation guide for AYP YERT5B. You'll find the answers to all your questions on the AYP YERT5B in the user manual (information, specifications, safety advice, size, accessories, etc.). Detailed instructions for use are in the User's Guide.

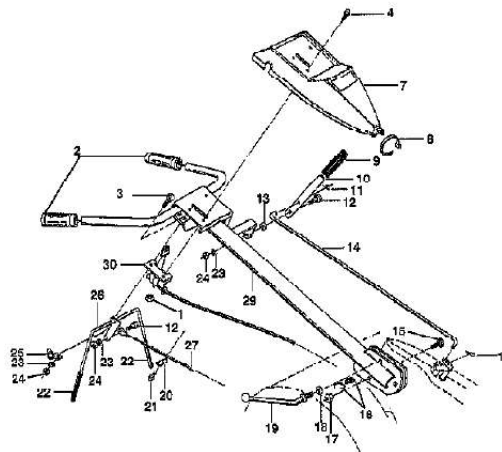
User manual AYP YERT5B
User guide AYP YERT5B
Operating instructions AYP YERT5B
Instructions for use AYP YERT5B
Instruction manual AYP YERT5B

YERT5B (1999 & Before)
HANDLE5 HP 17"

Page 1 of 12

5 HP 17" CRT TILLER - - MODEL NUMBER YERT5B

HANDLE ASSEMBLY



NOTE: All component dimensions given in U.S. inches.
1 inch = 25.4 mm



[You're reading an excerpt. Click here to read official AYP YERT5B user guide](http://yourpdfguides.com/dref/441363)
<http://yourpdfguides.com/dref/441363>

