



# Your PDF Guides

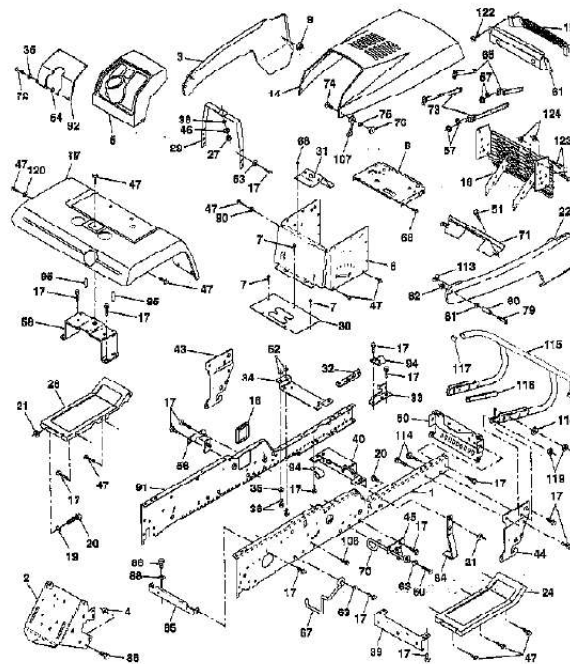
You can read the recommendations in the user guide, the technical guide or the installation guide for AYP Y20C50A. You'll find the answers to all your questions on the AYP Y20C50A in the user manual (information, specifications, safety advice, size, accessories, etc.). Detailed instructions for use are in the User's Guide.

**User manual AYP Y20C50A**  
**User guide AYP Y20C50A**  
**Operating instructions AYP Y20C50A**  
**Instructions for use AYP Y20C50A**  
**Instruction manual AYP Y20C50A**

Y20C50A (1995)  
CHASSIS AND ENCLOSURES

Page 1 of 28

## TRACTOR - - MODEL NUMBER Y20C50A CHASSIS AND ENCLOSURES



[You're reading an excerpt. Click here to read official AYP Y20C50A user guide](#)

<http://yourpdfguides.com/dref/441318>

*Manual abstract:*

AXLE.FRT. SUB= 156111 BRACKET.SUS.FT.LH BRACKET.SUS.FT.RH SUB= 155887 LOCKWASHER SCREW LT BRACKET.CHASSIS.  
@@BOLT D WASHER STRAP.ASM.HINGE. GUIDE BELT TRANS SCREW LT GUIDE.BELT.

MID.SP STRAP.GRILLE.PNT. @@PLUG.

PLASTIC WASHER SUB= 73690600 WASHER HYT SUB= 91817030814 SUB= 7605J NUT Page 3 of 28 Y20C50A (1995) DECALS Page 4 of 28 Y20C50A  
(1995) DECALS Ref # Part Number 1 2 3 4 5 7 9 10 11 14 19 138956 139141 123966X 123965X 138445 137259 123964X 133795 101892X 139346 121549X  
150438 150439 138311 133671 SH10 TA128 TR01 EA20 GSB42 GBD48 Qty Description REFER TO IMAGE DECAL.DASH.INSTR. @@FUSE HYT  
CABLE.BATRY.4GA. @@@@ @@@@ @KLIP RING WASHER TRUNION LT NUT T WASHER SPRING.COMP.INF.H SUB= 3145 ROD.

ADJ.LIFT KNOB INF 3/8-16 SCREW WASHER T POINTER HGT IND "PLUG,HOLE" SCREW NUT.CROWNLOCK.3/8 WASHER HEIGHT INDICATOR  
Page 14 of 28 Y20C50A (1995) MOWER DECK Page 15 of 28 Y20C50A (1995) MOWER DECK Ref # 1 2 3 4 5 6 7 8 9 10 11 12 13 14 15 16 17 18 19 20 21  
22 23 24 25 27 28 29 30 31 32 33 34 35 36 37 38 39 40 42 43 44 45 46 47 48 49 50 51 52 53 54 55 56 57 58 59 60 Part Number 136457 73680500 72110506  
7631J 138457 4939M 130832 850857 10030600 140296 137380 129895 137553 137152 110485X 140329 106735X 19111016 105304X 123713X 137607  
110452X 110509X 136320 19111216 19131316 132823 73800600 138776 137266 129861 129963 72140610 72110616 72110608 137166 137554 131494  
136572 72140506 136460 122052X 73680600 74760628 137200 137729 136574 137272 137273 139245 137789 139573 144959 138687 136577 105455X  
4898H 139031 Qty Description DECK ASM MWR 50VT SUB= 73690500 SUB= 72270506 RUNNER-LH M BRKT.ASM.SW.44/50 SUB= 85902 SUB=  
130833 BLADE BOLT SUB= 10040600 WASHER.HARD.BLADE "BLADE.50"" HD" BEARING.

BALL SHAFT.ASM.W/BRNG HOUSING.MAND.44.

V BEARING STRIPPER RND MWR ROD-HINGE T WASHER CAP-SLEEVE LT SPRING TORSION BRKT DEFLECTOR NUT PUSH M DEFLECTOR  
"RUNNER RH 50"" DK" WASHER M WASHER SUB= 532132823 NUT SUB= 157722 SUB= 139729 SUB= 153535 WASHER BOLT.3/8-14X1.25 BOLT  
BOLT D STIFFENER.ARM.IDL SUB= 918137554 FLAT IDLER PULLEY "PULLEY.

DRIVEN.44"" BOLT "ARM.IDLER.SEC.44"" SPACER RETAINER SUB= 73690600 BOLT "COVER.MAND.RH.44"" SCREW.1/4-20X5/8  
COVER.MANDREL.

LH ARM.IDLER.PRIMARY "SPRING.SEC.44""VEN" PULLEY.IDLER.VGRO SHIELD.IDLER.44.V BELT V PRIM 50 BELT-V.  
SEC.46.KEL SPRING.EXT.DECK.

@@SRTG. BEAR. SCREW "FLANGE GT, BEAR." KLIP RING BUSHING.NYLINER.  
WASHER LOCKWASHER BOLT GEAR.ASM.SECTOR. @@.



[You're reading an excerpt. Click here to read official AYP Y20C50A user guide](http://yourpdfguides.com/dref/441318)

<http://yourpdfguides.com/dref/441318>