



# Your PDF Guides

You can read the recommendations in the user guide, the technical guide or the installation guide for AYP Y2050C. You'll find the answers to all your questions on the AYP Y2050C in the user manual (information, specifications, safety advice, size, accessories, etc.). Detailed instructions for use are in the User's Guide.

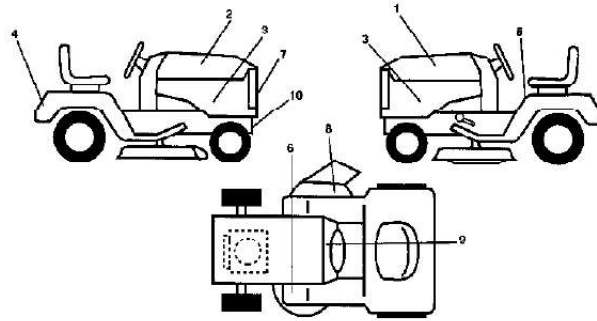
**User manual AYP Y2050C**  
**User guide AYP Y2050C**  
**Operating instructions AYP Y2050C**  
**Instructions for use AYP Y2050C**  
**Instruction manual AYP Y2050C**

Y2050C (1993)  
DECALS

Page 1 of 28

**20 HP 50" TRACTOR -- MODEL NUMBER Y2050C**

**DECALS**



[You're reading an excerpt. Click here to read official AYP Y2050C user guide](http://yourpdfguides.com/dref/441315)  
<http://yourpdfguides.com/dref/441315>

