



Your PDF Guides

You can read the recommendations in the user guide, the technical guide or the installation guide for AYP WZ15536RDHA. You'll find the answers to all your questions on the AYP WZ15536RDHA in the user manual (information, specifications, safety advice, size, accessories, etc.). Detailed instructions for use are in the User's Guide.

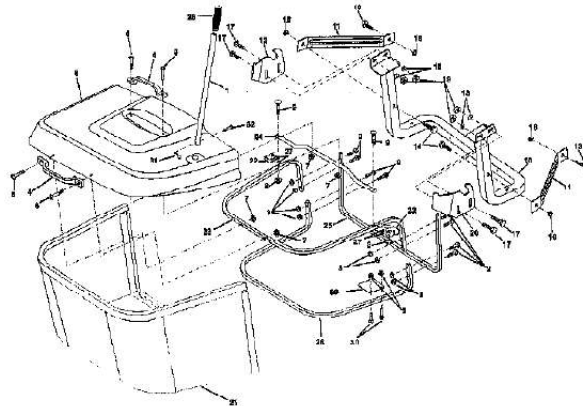
User manual AYP WZ15536RDHA
User guide AYP WZ15536RDHA
Operating instructions AYP WZ15536RDHA
Instructions for use AYP WZ15536RDHA
Instruction manual AYP WZ15536RDHA

WZ15536RDHA (1999 & Before)
BAGGER

Page 1 of 24

TRACTOR- -MODEL NO. WZ15536RDHA

BAGGER



[You're reading an excerpt. Click here to read official AYP WZ15536RDHA user guide](http://yourpdfguides.com/dref/441214)
<http://yourpdfguides.com/dref/441214>

Manual abstract:

HEAD" SCREW NUT LOCK COVER.BAG.CRD BOLT CARRIAGE SUPT.ASM.WLDMNT.BAG.CRD BRKT.SUPT.UPPER.BAG.
CRD BRKT.PIVOT.BAG.LH.CRD BOLT BOLT.

HEX.3/8-16X2-1/2 SUB= 83923 BOLT WASHER NUT "BRKT.PIVOT.BAG,RH.CRD" BAG.
ASM.CRD BRKT.SIDE.BAG.CRD TUBE.UPPER.BAG.CRD TUBE.PIVOT.BAG.

CRD TUBE.FT.BAG.CRD TUBE.LOWER.BAG.CRD. GROMMET.EXTRUDED GRIP.HANDLE.
BLACK PLATE.STOP.BAG.HDLE.CRD BOLT.

CARRIAGE RETAINER M RIVET.DRILL.1.75 Page 2 of 24 WZ15536RDHA (1999 & Before) CHASSIS AND ENCLOSURES Page 3 of 24 WZ15536RDHA
(1999 & Before) CHASSIS AND ENCLOSURES Ref# 1 2 3 4 5 6 8 9 10 11 12 13 14 15 16 17 18 20 24 25 26 28 29 30 31 33 34 35 37 38 39 51 52 53 54 55
57 58 125 140 145 148 162 163 164 165 167 168 169 170 171 172 173 174 175 176 177 178 Part Number 165480 165606 17490612 19131216 155272
155923 126471X 147631X011 72140608 155927 145660 155934X010 17490608 74180512 73510500 159639X505 126938X 156437 74780616 19131312
73800600 157373 140273X599 165713X505 165156 145244X505 145243X505 72110606 17490508 139886 139887 73800400 19091416 144697 161464
144696 74780412 150127 74180412 158418 156524 17490620 165672 165673 165605 165742X428 165779 72050412 123976X 165607 74520640
19132016 73510600 165939 166212 128600 132796 76020312 Qty Description CHASSIS.STAMPING DRAWBAR.

CRD SCREW WASHER BUMPER-HOOD/DASH SADDLE "CLIP,INSULATOR" DASH.SILKSCREEN SUB= 72110608 "PANEL-DASH,LH"
CLIP.TINNERMAN SUB= 169117X010 SCREW LT SCREW NUT HOOD.STEEL.ASSY SUB= 532126938 "PLATE-MTG,BATT/FU" BOLT WASHER NUT
GRILLE-MS428 LENS.GRILLE.PRIVATE LABEL FENDER.AUTO BRKT.SUPT.FENDER.

CRD FOOTREST.LH.LT/GT FOOTREST.RH.LT/GT BOLT SCREW LT BRACKET ASM LH BRACKET ASM RH NUT WASHER BRACKET.GRILLE.LH
SCREW.HEX.WS.HD BRACKET.

GRILLE.RH SUB= 74780414 AIR DUCT SCREW BRKT SUSPENSION "ROD POVOT,CHASSIS" SCREW BRKT.EXT.CHASSIS.LH.
CRD BRKT.EXT.CHASSIS.RH.CRD SUPPORT.

BATTERY.CRD COVER.BATTERY.CRD.BLACK.LT SUPT.ASM.BACKPLATE BOLT-RD HD SQ NK SUB= 73900400 COVER.BACKPLATE.BLACK BOLT.

HEX.3/8-16X2-1/2 SUB= 19132012 NUT BRKT.SWITCH.FBI.CRD GRUARD.DOOR.REAR.CRD HINGE PIN SPRING.COVER.LH SUB= 3145 Page 4 of
24 WZ15536RDHA (1999 & Before) CHASSIS AND ENCLOSURES Ref# 179 180 181 182 183 184 185 186 187 188 189 190 Part Number 165942
74760516 73680500 138200 19131316 166139 165940 160793 2029J 19061216 10071000 71161010 5479J Qty Description ROD.
PIVOT.FBI.CRD SUB= 77394 SUB= 73690500 WASHER.385X.625 WASHER BRKT.
ACTUATOR.BAG.CRD TUBE.LEVER.SWCH.

FBI.CRD LATCH ASSY.BAGGER WELDNUT WASHER #10 LOCKWASHER SCREW PLUG BUTTON T Page 5 of 24 WZ15536RDHA (1999 & Before)
DECALS Page 6 of 24 WZ15536RDHA (1999 & Before) DECALS Ref# 1 2 3 4 6 8 9 10 11 12 13 14 15 16 17 19 20 21 22 Part Number 145498 165365
167340 167341 126187X 145437 163769 145005 145494 159737 166959 159736 166961 162598 140837 166962 166960 166286 167108 138311 133671
167277 167278 Qty Description DECAL.READ.O.MANU SUB= 273216 DECAL, HOOD DECAL, HOOD SUB= 532126187 DECAL.EURO.ST.CE.
@@@@@@@@@RELAY ASSY T Page 12 of 24 WZ15536RDHA (1999 & Before) ENGINE Page 13 of 24 WZ15536RDHA (1999 & Before) ENGINE Ref# 1
2 3 4 13 14 15 16 23 29 31 32 33 35 37 38 44 46 62 66 72 78 81 Part Number 141359 17720410 SUPPLIER 137352 165291 13280324 13200300 11050600
159880 137180 161911 140527 123487X 17490512 137040 SUPPLIER 17490412 19091416 10040500 127951 71070512 17490620 128861 Qty Description
CONTROL.

THTL.23.5 SCREW LT CHECK WITH SUPPLIER MUFFLER SUB= 272293 PIPE NIPPLE ELBOW LOCKWASHER SHIELD.BRN/DBR.GD SUB=
532137180 TANK.FUEL.FRONT. @SUB= 72270506 CHUTE.BAGGER.CRD MANDREL ASM MANDREL.
ASM.CRD.LH.THREADS DECK.MOWER.

COMPLETE Page 16 of 24 WZ15536RDHA (1999 & Before) MOWER LIFT Page 17 of 24 WZ15536RDHA (1999 & Before) MOWER LIFT Ref# 1 2 3 4 5 6
7 8 11 12 13 15 16 17 18 19 20 31 32 Part Number 159460 159471 105767X 12000002 19211621 120183X 109413X 124526X 165829 165831 4939M
127218 73350800 130171 73680800 139868 163552 140302 73540600 Qty Description WIRE ASM W.SPRING "SHAFT ASM LIFT,RH" PIN-GROOVE LT
SUB= 2225J WASHER NYLON BEARING GRIP SUB= 125925X LINK.LIFT.LH.CRD LINK.
LIFT.RH.CRD SUB= 85902 LINK.FRONT NUT TRUNION NUT LTV ARM SUSP REAR RETAINER SPRING BEARING PVT LH NUT.CROWNLOCK.3/8
Page 18 of 24 WZ15536RDHA (1999 & Before) SEAT ASSEMBLY Page 19 of 24 WZ15536RDHA (1999 & Before) SEAT ASSEMBLY Ref# 1 2 5 7 8 9 10 12
13 14 15 16 17 21 22 23 24 25 26 Part Number 1274298 140551 145006 124181X 17490616 19131614 155925 121246X 121248X 72050412 134300
121250X 123976X 153236 73800500 74780814 19171912 127018X 10040800 Qty Description SEAT BRACKET PVT SEAT CLIP.PUSH-IN.HING SPRING
COMPRESSIO SCREW GTV WASHER PAN-SEAT BRKT SWITCH BUSHING BOLT-RD HD SQ NK SPLIT SPACER SPRING SUB= 73900400
"BOLT,SHOULDER" NUT BOLT WASHER "BOLT,SHOULDER" LOCKWASHER Page 20 of 24 WZ15536RDHA (1999 & Before) STEERING ASSEMBLY
Page 21 of 24 WZ15536RDHA (1999 & Before) STEERING ASSEMBLY Ref# 1 2 3 4 5 6 7 8 10 11 13 15 17 18 19 22 23 25 27 29 32 36 37 38 39 40 41 42
43 44 46 47 51 54 62 63 65 66 67 68 74 75 76 77 78 79 80 Part Number 140044 137094 157479 157478 6266H 121748X 19272016 12000029 154432
10040600 167118 73901000 156546 57079 160395 165857 165851 154406 136874 17490612 137347 155099 152927 140045 19133808 7810H 100711L
145054 121749X 153720 121232X 6855M 73800500 74780520 167902 74780616 154780 154404 74781044 154429 109850X 109851X 137156 73700600
73360600 19132012 74950612 Qty Description WHEEL STR AYP BLK SUB= 532137094 "SPINDLE ASM,LH" "SPINDLE ASM,RH" WASHER .T WASHER
WASHER RING LINK.DRAG LOCKWASHER BEARING.

FRT.SPACER.AXLE "NUT-LOC,FLANGE LT" SHAFT ASM STEERIN THRUST WASHER SUPPORT.SHAFT.STEER SCREW.HX.WSH.HD
SHAFT.ASM.PITMAN BRKT-STEERING GEAR SECTOR SCREW ROD.

ASM.TIE.BALL BUSHING.STEERING "SCREW-TT,10-32 FL" CAP STEER AYP WASHER T GRIPCO NUT ADAPTER LT BOOT.STEER.
PL WASHER EXT SHAFT STEERIN CAP ZERK M NUT BOLT KIT.STEER.ASM BOLT SPACER AXLE "BEARING-ARM,PITMA" BOLT BRACE AXLE
JOINT.RH JOINT.LH SUB= 137347 NUT NUT WASHER BOLT.

HX.NYLON3/8-16X3/ Page 22 of 24 WZ15536RDHA (1999 & Before) WHEELS & TIRES Page 23 of 24 WZ15536RDHA (1999 & Before) WHEELS &
TIRES Ref# 1 2 3 4 5 6 7 8 9 10 11 Part Number 59192 65139 106222X 59904 106732X427 278H 9040H 106108X427 138468 7152J 104757X 1.



[You're reading an excerpt. Click here to read official AYP
WZ15536RDHA user guide
http://yourpdfguides.com/dref/441214](http://yourpdfguides.com/dref/441214)