



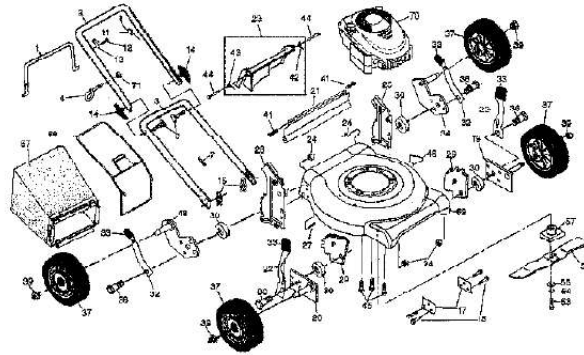
# Your PDF Guides

You can read the recommendations in the user guide, the technical guide or the installation guide for AYP WM5N21SB. You'll find the answers to all your questions on the AYP WM5N21SB in the user manual (information, specifications, safety advice, size, accessories, etc.). Detailed instructions for use are in the User's Guide.

**User manual AYP WM5N21SB**  
**User guide AYP WM5N21SB**  
**Operating instructions AYP WM5N21SB**  
**Instructions for use AYP WM5N21SB**  
**Instruction manual AYP WM5N21SB**

WM5N21SB (2004)  
General Assembly

Page 1 of 3



[You're reading an excerpt. Click here to read official AYP WM5N21SB user guide](http://yourpdfguides.com/dref/441135)  
<http://yourpdfguides.com/dref/441135>

