



# Your PDF Guides

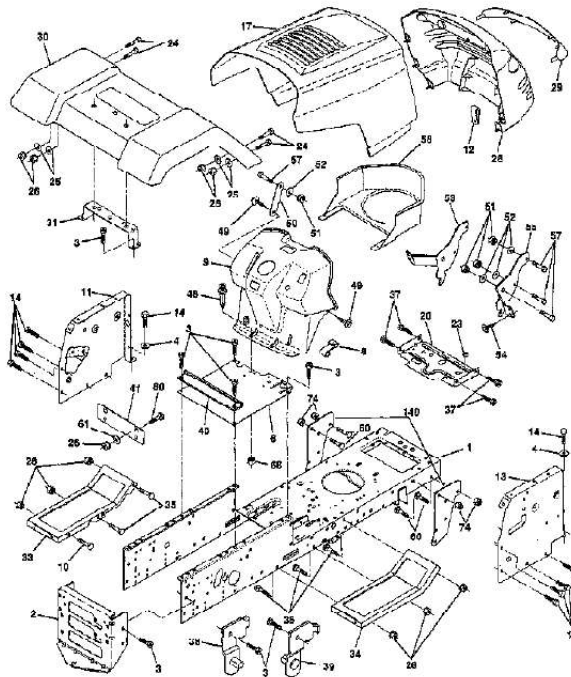
You can read the recommendations in the user guide, the technical guide or the installation guide for AYP WG1036A. You'll find the answers to all your questions on the AYP WG1036A in the user manual (information, specifications, safety advice, size, accessories, etc.). Detailed instructions for use are in the User's Guide.

**User manual AYP WG1036A**  
**User guide AYP WG1036A**  
**Operating instructions AYP WG1036A**  
**Instructions for use AYP WG1036A**  
**Instruction manual AYP WG1036A**

WG1036A (1999 & Before)  
CHASSIS AND ENCLOSURES

Page 1 of 27

## TRACTOR - MODEL NUMBER Y1846A CHASSIS AND ENCLOSURES



[You're reading an excerpt. Click here to read official AYP WG1036A user guide](#)

<http://yourpdfguides.com/dref/441118>

**Manual abstract:**

PANEL.10HP. DECAL.WHL.STRG. DECAL.EURO.ST.CE. DECAL HANDLE LIFT MANUAL O WG1036A MANUAL P WG1036A REAR BAGGER MULCHER, KIT Page 4 of 27 WG1036A (1999 & Before) DECALS Page 5 of 27 WG1036A (1999 & Before) DECALS Ref# 1 2 3 4 5 6 7 8 9 10 11 12 13 14 15 16 17 18 19 20 23 24 25 26 27 28 29 30 31 Part Number 126470X 122018X 71110408 73680600 145187 106451X 135371 74760636 121930X 76020412 19131316 131861 139352 123496X 19131212 4921H 127359 142028 73680400 74760644 76020416 19171612 121933X 141470 106932X 76020312 131655 73350600 19132012 Qty Description "CLIP,INSULATOR" BRKT CLUTCH BOLT HXHD FIN SUB= 73690600 LEVER.

ASM.CLUTCH "BOLT, SHOULDER LT" MWR CLUTCH ARM AS BOLT "BELLCRANK,LIFT" COTTER PIN WASHER SUB= 532131861 HANDLE.ASM.LIFT SPRING COMPRESSIO WASHER T SPRING.RETAINER "LINK,LIFT FRT" TRUNION ADJ SUB= 73690400 BOLT PIN COTTER 1/8 WASHER GT TUBE SPACER ROD LIFT MOWER KNOB T(3/8 HOLE) SUB= 3145 CLUTCH LINK NUT WASHER Page 6 of 27 WG1036A (1999 & Before) DRIVE Page 7 of 27 WG1036A (1999 & Before) DRIVE Ref# 1 2 3 4 5 6 7 8 9 10 11 12 13 14 15 16 17 Part Number 133742 10040600 19133808 133741 121897X 17431008 102803X 147391 124210X 123438X 12000045 19211616 100711L 153720 74780520 73800500 74780616 Qty Description ST WHL INSERT CAP LOCKWASHER WASHER T SUB= 150547 SLEEVE STEERING SUB= 98000165 SUB= 918102803X SHAFT.

STEERING.LR STEERING CLIP BUSHING STEER LWR RING WASHER LT ADAPTER LT EXT SHAFT STEERIN BOLT NUT BOLT Page 8 of 27 WG1036A (1999 & Before) ELECTRICAL Page 9 of 27 WG1036A (1999 & Before) ELECTRICAL Ref# 1 2 3 4 5 6 7 8 9 10 11 12 13 16 18 19 Part Number 124657X 73640400 19091416 74780412 139888 122549X 122548X 17521312 73800400 123693X 132918X550 127178 134232X428 124346X 19111116 11030400 Qty Description EXT SPRING NUT HXKEP 1/4X20 WASHER SUB= 74780414 BOLT.SHLD.5/16-18 BRKT HOOD RH BRKT HOOD LH SCREW SLTD HXHD NUT "BRACE,HOOD" HOOD.IMPREG.

M550 LENS T GRILL (BLACK) NUT WASHER LOCKWASHER GT Page 10 of 27 WG1036A (1999 & Before) ENGINE Page 11 of 27 WG1036A (1999 & Before) ENGINE Ref# 1 2 3 4 5 6 7 8 9 10 11 12 13 14 15 16 17 39 Part Number 17060408 133025 282707 71070512 10040500 272293 11050600 121094X 19101216 10040400 137437 101326L 17030808 137180 127951 17490624 128861 Qty Description SCREW.1/4-20X1/2 SUB= 532133025 ENG B&S

10-12.5HP PWRBLT DC SCREW LOCKWASHER GASKET ENG 1 313 LD TIN PLATED LOCKWASHER BOLT T WASHER LOCKWASHER CHECK WITH SUPPLIER MUFFLER DEFLECTOR.222573 SUB= 17030814 SUB= 532137180 "STOP,DASH THROTT" SCREW LT NUT Page 12 of 27 WG1036A (1999 & Before) MOWER DECK Page 13 of 27 WG1036A (1999 & Before) MOWER DECK Ref# 1 2 3 4 5 6 7 8 9 10 11 12 13 14 15 16 17 18 19 20 21 22 23 24 25 26 27 28 29 30 31 32 33 36 37 38 39 40 41 42 43 44 45 46 47 48 49 50 51 52 53 Part Number 140064 122052X 73680600 130840 131251 121316X 72110616 19131410 127744 72140610 130841 127356 72140506 73680500 127357 140609 128508 128511 127380 138496 140296 10030600 850857 140329 138776 129963 129983 129207 137266 136631 17490508 122051X 139083 121980X 123713X 105304X 19111016 110452X 131264 19171616 3146R 140608 110485X 128774 129895 137645 133943 71161010 136383 19070718 60867 130794 144973 Qty Description SPRING CLUTCH MWR

SPACER RETAINER SUB= 73690600 BRAKE ASM IDLER BELT GUIDE PULLEY IDLER BOLT WASHER SUB= 140092 BOLT.3/8-14X1.25 BRAKE ROD "BRKT,LIFT REAR" BOLT SUB= 73690500 "BRKT,LIFT REAR LH" SUB= 153298 MOWER LINK STAB "PIN,GROOVE" "BRKT,LINK STABILI" "BLADE.36"" HIPERF" WASHER.HARD.BLADE SUB= 10040600 BLADE BOLT STRIPPER RND MWR SUB= 157722 WASHER SUB= 156600 SUB= 153531 SUB= 139729 SUB= 532136631 SCREW LT "SUPT,IDLER ARM" SHIELD.DEFL.

36TUV HINGE ROD SPRING TORSION CAP-SLEEVE LT WASHER NUT PUSH M V-BELT.PRIM.78.5. WASHER RETAINER.SPRING KEEPER BELT LH BEARING HSG ASM MANDREL BEARING.BALL SUB= 137646 HARDENED WASHER SCREW GUARD.DFTR.MWR.36 NLA ACORN NUT RB MANDREL ASM DECK.

36.LR Page 14 of 27 WG1036A (1999 & Before) SCHEMATIC Page 15 of 27 WG1036A (1999 & Before) SCHEMATIC Ref# 1 2 3 4 5 6 7 8 9 10 11 12 15 17 18 19 20 21 22 24 25 26 27 28 30 36 39 55 70 Part Number 73640400 108423X 144924 69180 108236X 109553X 146374 17021008 140402 141226 140400 144921 121305X 108824X 128353 146063 73350400 10090400 71110408 131563 145673 74760412 19091016 10040400 73220400 11150400 141735 17490508 140413 Qty Description NUT HXKEP 1/4X20 CABLE ASM. SUB= 123899X LOCKNUT BRACKET LT SWITCH INTERLOCKT KEEPER.ACTUAT.LR.

@@@@@SRTG. BEAR. @@@@.

@@@@@SRTG. BEAR. @@@@.

@@@@@SRTG. BEAR. @@@@.

@@@@@SRTG. BEAR. @@@@.



[You're reading an excerpt. Click here to read official AYP WG1036A user guide](http://yourpdfguides.com/dref/441118)

<http://yourpdfguides.com/dref/441118>