



Your PDF Guides

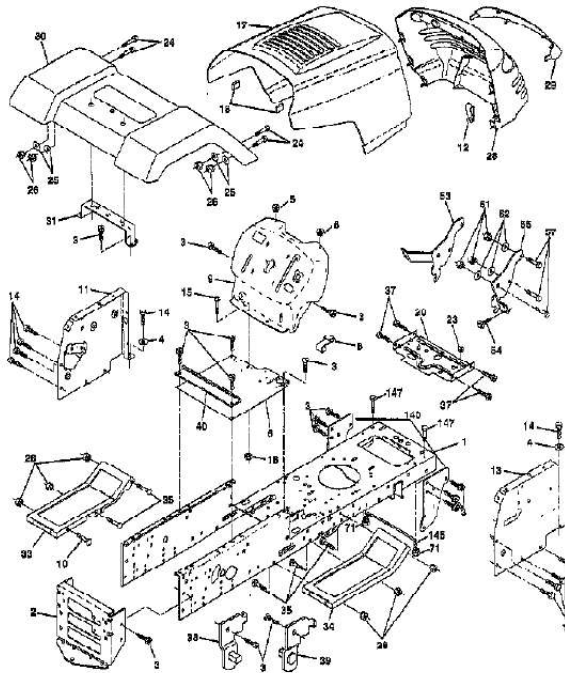
You can read the recommendations in the user guide, the technical guide or the installation guide for AYP WET1742B. You'll find the answers to all your questions on the AYP WET1742B in the user manual (information, specifications, safety advice, size, accessories, etc.). Detailed instructions for use are in the User's Guide.

User manual AYP WET1742B
User guide AYP WET1742B
Operating instructions AYP WET1742B
Instructions for use AYP WET1742B
Instruction manual AYP WET1742B

WET1742B (1997)
CHASSIS AND ENCLOSURES

Page 1 of 27

TRACTOR - - MODEL NUMBER WET1742B
CHASSIS AND ENCLOSURES



[You're reading an excerpt. Click here to read official AYP WET1742B user guide](http://yourpdfguides.com/dref/441070)
<http://yourpdfguides.com/dref/441070>

Manual abstract:

TIE.20""P930LT" NUT.CNT.LOCK.1/4 BUSHING WASHER D KLIP RING SUB= 918139964 NUT RETAINER M WASHER LT "STRAP,TORQUE" BOLT RDHD 3/8-16 SPACER-BELLCRANK NYLINER-CLUTCHING Page 7 of 27 WET1742B (1997) ELECTRICAL Page 8 of 27 WET1742B (1997) ELECTRICAL Ref # 1 2 3 4 6 7 8 9 15 16 19 20 21 22 24 25 26 28 29 30 31 32 33 40 41 42 43 44 48 52 Part Number 144925 74760412 19091016 10040400 73220400 109238X 156417 109596X 147688 153664 10090400 73350400 136850 4152J 108423X 146147 108824X 4207J 121305X 140301 124211X 141226 122147X 156442 71110408 131563 145673 73640400 140844 141940 Qty Description SUB= 123899X BOLT LT WASHER LOCKWASHER SUB= 50675 TUBE T "CASE,BATTERY.MECH" HOSE CLAMP T FASTNER.SNAP-IN SWITCH INTERLOCK SUB= 10040400 NUT "HARNESS,LIGHT SOC" HEADLAMP BULB CABLE ASM. CABLE.BTRY.6GA.

RD FUSE HYT CABLE T SWITCH SEAT SWITCH IGN 4POS NUT IGNITION COVER KEY SWITCH KEY HARNESS-IGNITION BOLT HXHD FIN SUB= 154336 SUB= 146154 NUT HXKEP 1/4X20 ADAPTER AMMETER PROTECTION LOOP Page 9 of 27 WET1742B (1997) ENGINE Page 10 of 27 WET1742B (1997) ENGINE Ref # 1 2 3 4 13 14 15 16 23 29 31 32 33 35 37 38 40 44 46 62 78 81 85 Part Number 140310 17720410 137351 149272 13280336 13200300 11050600 156123 137180 140280 140527 123487X 17490512 137040 124028X 17490412 19091416 10040500 17490620 128861 123528X Qty Description CONTROL THROTTLE SCREW LT REFER TO IMAGE MUFFLER GASKET MUFFLE TEC PIPE NIPPLE LT ELBOW LOCKWASHER SHIELD-HEAT SUB= 532137180 SUB= 161911 CAP ASM FUEL HOSE CLAMP SCREW LINE FUEL REFER TO IMAGE SUB= 532124028 SCREW HEX CRT WASHER LOCKWASHER SCREW NUT SCREW HEX HD CAP Page 11 of 27 WET1742B (1997) LIFT Page 12 of 27 WET1742B (1997) LIFT Ref # 1 2 3 4 5 6 7 8 11 12 13 15 16 17 18 19 20 31 32 Part Number 159460 159471 105767X 12000002 19211621 120183X 109413X 124526X 139865 139866 4939M 127218 73350800 130171 73800800 139868 3146R 140302 73540600 Qty Description WIRE ASM W.SPRING "SHAFT ASM LIFT,RH" PIN-GROOVE LT SUB= 2225J WASHER NYLON BEARING GRIP SUB= 125925X SUB= 918139865 SUB= 151140 SUB= 85902 LINK.FRONT NUT TRUNION NUT.LK.WWSH.

1/2. @@@@BRACKET.GWHL.RH. @@@@SRTG.

BEAR. @@@@SCREW, 3/8-16 X 3/8" SPRING RING, SEAL SCREW, 1/4-20 X 1-1/4 RING RETAINER RING, RETAINER RETAINING RING WASHER THRUST WASHER THRUST WASHER "O" RING SEAL, SQUARE CUT BUSHING, FLANGED BUSHING, FLANGED DISK, BRAKE PLATE BRAKE PAD BRAKE PAD PIN DOWEL WASHER BRAKE LEVER SCREW, 1/4-20 X 1-1/4 SCREW, 1/4-20 X 2-1/4 LOCKNUT 5/16-24 HOLDER BRAKE PAD SPACER BRKT BRAKE LEVER AXLE AXLE GEAR, SPUR, 37 TEETH GEAR, SPUR, 35 TEETH GEAR, SPUR, 30 TEETH GEAR, SPUR, 25 TEETH GEAR, SPUR, 22 TEETH GEAR, SPUR, 19T GEAR, SPUR, 12 TEETH GEAR, SPUR, 15 TEETH GEAR, SPUR, 20 TEETH GEAR, SPUR, 25 TEETH GEAR, SPUR, 28 TEETH Page 24 of 27 WET1742B (1997) TRANSAXLE Ref # 61 65 696 67 68 69 70 71 72 72A 76 77 79 81 82 83 90 103 104 150 900 Part Number 778163 780109 776135 776315A 786116A 780051 786118 788069 792165 788091 780090 788078A 792144 786081 786082 786123 788067B 792166 792167 510334 794603 Qty Description GEAR, SPUR, 31 TEETH WASHER, THRUST SHAFT, INPUT SHAFT, BRAKE, 4 KEYED PLUG WASHER THRUST SPACER SEAL SQUARE CUT THREADED PLUG 9/16-18 "O" RING WASHER, THRUST INVERTED RETAINING RING SPRING CHAIN, ROLLER SPROCKET 9T SPROCKET 18T (REV) GREASE BENTONITE, 32 OZ. @@TUBE Page 27 of 27 .



[You're reading an excerpt. Click here to read official AYP](#)

[WET1742B user guide](#)

<http://yourpdfguides.com/dref/441070>