



Your PDF Guides

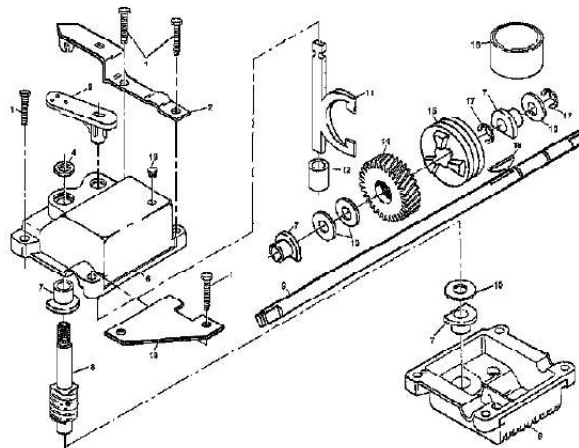
You can read the recommendations in the user guide, the technical guide or the installation guide for AYP WE9656RC. You'll find the answers to all your questions on the AYP WE9656RC in the user manual (information, specifications, safety advice, size, accessories, etc.). Detailed instructions for use are in the User's Guide.

User manual AYP WE9656RC
User guide AYP WE9656RC
Operating instructions AYP WE9656RC
Instructions for use AYP WE9656RC
Instruction manual AYP WE9656RC

WE9656RC (1996)
POWER PROPELLED LAWN MOWER

Page 1 of 7

POWER PROPELLED LAWN MOWER - - MODEL NO. WE9656RC
GEAR CASE ASSEMBLY PART NUMBER 702511



[You're reading an excerpt. Click here to read official AYP WE9656RC user guide](http://yourpdfguides.com/dref/440977)
<http://yourpdfguides.com/dref/440977>

Manual abstract:

1/4-20 BRACKET.GEARCASE SHIFTER SEAL KIT GEARCASE HALV BEARING SHAFT.WORM SHAFT.DRIVE THRUST WASHER CLUTCH YOKE
BUSHING.GEAR BOX PLUG PM GEAR.HELICAL CLUTCH JAW SUB= 6066J RING T HI PRO KEY SPRING BRKT Page 2 of 7 WE9656RC (1995)
ROTARY LAWN MOWER Page 3 of 7 WE9656RC (1995) ROTARY LAWN MOWER Ref # 2 3 4 5 6 7 8 9 10 11 12 13 14 16 17 18 19 20 21 22 23 24 25 26 27
28 29 30 31 32 33 34 35 36 38 39 40 41 42 43 44 45 46 47 48 50 51 52 54 55 57 59 60 61 62 63 64 65 Part Number 147048 145640X479 63601 130861
145285 700417 144929 136376 83816 111190X 147615 750097 87930 147775 141846 86344 63601 84596 87677 59708 133040X479 140540 700365X479
700360X479 145281 54583 133190X479 132001 66426 132813X479 131959 51793 77400 83923 148444 142748 62335 145935X004 700331X004 87877
128415 84920 700327X007 55187 700326X007 701921X479 701923X479 751592 851201X004 850998 132255X479 851084 850263 851074 141114 851514
148183 Qty Description BAIL.CNTRL.DLX.CF HANDLE.UP.
DLX.CON SUBS/1 SUB= 73800400 "CABLE,ENG ZONE CO" GUARD.DISCH.CLIPO "CONTROL, THROTTLE" SCREW.HXHD.
WASH. @@@@ @BOLT.1/4-20X2.0 HUB CAP NUT.HXFLG.
LOCK. WHEEL.8X2.IGD. E-RING.7/16.RE. .



[You're reading an excerpt. Click here to read official AYP](#)

[WE9656RC user guide](#)

<http://yourpdfguides.com/dref/440977>