



# Your PDF Guides

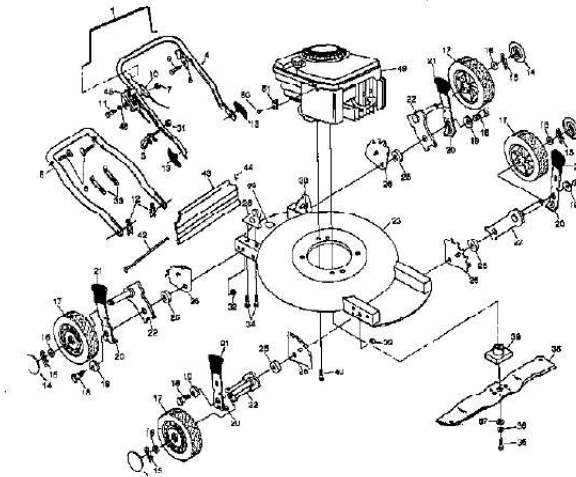
You can read the recommendations in the user guide, the technical guide or the installation guide for AYP WE671MA. You'll find the answers to all your questions on the AYP WE671MA in the user manual (information, specifications, safety advice, size, accessories, etc.). Detailed instructions for use are in the User's Guide.

**User manual AYP WE671MA**  
**User guide AYP WE671MA**  
**Operating instructions AYP WE671MA**  
**Instructions for use AYP WE671MA**  
**Instruction manual AYP WE671MA**

WE671MA (1999 & Before)  
20" ROTARY LAWN MOWER

Page 1 of 2

20" ROTARY LAWN MOWER - - MODEL NO. WE671MA



[You're reading an excerpt. Click here to read official AYP WE671MA user guide](http://yourpdfguides.com/dref/440927)

<http://yourpdfguides.com/dref/440927>

