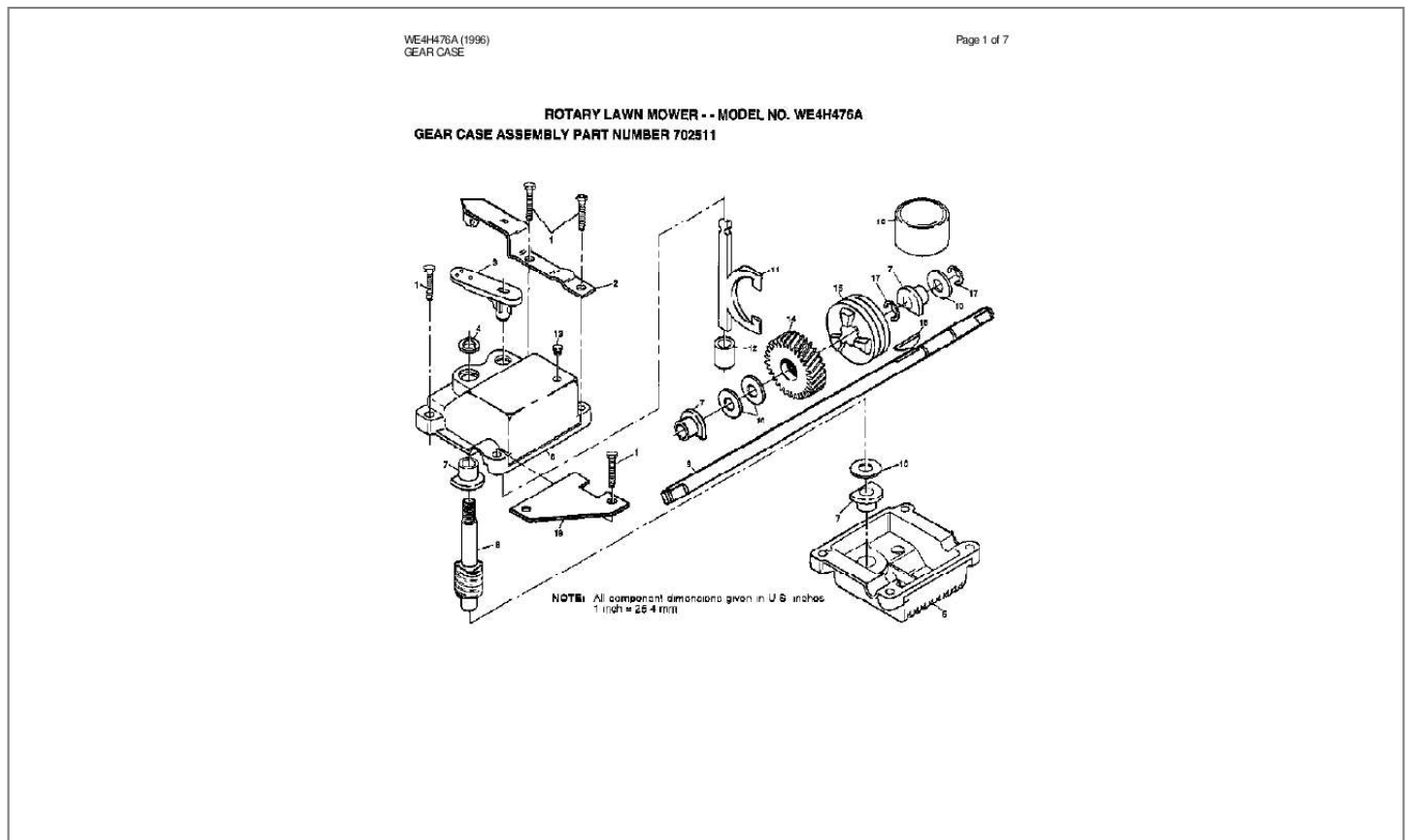




# Your PDF Guides

You can read the recommendations in the user guide, the technical guide or the installation guide for AYP WE4H476A. You'll find the answers to all your questions on the AYP WE4H476A in the user manual (information, specifications, safety advice, size, accessories, etc.). Detailed instructions for use are in the User's Guide.

**User manual AYP WE4H476A**  
**User guide AYP WE4H476A**  
**Operating instructions AYP WE4H476A**  
**Instructions for use AYP WE4H476A**  
**Instruction manual AYP WE4H476A**



[You're reading an excerpt. Click here to read official AYP WE4H476A user guide](http://yourpdfguides.com/dref/440810)  
<http://yourpdfguides.com/dref/440810>

*Manual abstract:*

1/4-20 BRACKET.GEARCASE SHIFTER SEAL KIT GEARCASE HALV BEARING SHAFT.WORM SHAFT.DRIVE THRUST WASHER CLUTCH YOKE  
BUSHING.GEAR BOX PLUG PM GEAR.HELICAL CLUTCH JAW SUB= 6066J RING T HI PRO KEY SPRING BRKT Page 2 of 7 WE4H476A (1996)  
ROTARY LAWN MOWER Page 3 of 7 WE4H476A (1996) ROTARY LAWN MOWER Ref # 2 3 4 5 6 7 8 9 10 11 12 13 14 17 18 19 20 21 22 23 24 25 26 27 28  
29 30 31 32 33 34 35 36 37 38 39 40 41 42 43 44 45 46 47 48 50 51 52 54 55 57 59 60 61 62 63 64 65 Part Number 146902 149637X479 63601 130861  
145285 700417 144929 128638 83816 111190X 151023 750097 87930 141846 150050 63601 84596 87677 59708 133040X479 140540 700365X479  
700360X479 148195 54583 133190X479 132001 151517 151721X479 131959 51793 77400 54583 83923 148494 142748 62335 145935X004 700331X004  
87877 128415 146630 700327X007 150078 700326X007 151588X479 151589X479 751592 851201X004 150406 132255X479 851084 850263 851074  
141114 851514 153546 Qty Description DECAL.WHL.STRG.RY SUB= 154480X479 SUB= 73800400 "CABLE,ENG ZONE CO" GUARD.DISCH.  
CLIPO "CONTROL, THROTTLE" SCREW.HXHD.WASH. "NUT,WING PM" SCREW PM CABLE CLAMP KIT.DOOR.  
REAR TAPPING SCREW GUIDE CLIP PM DECAL DANGER E/S SCREW.HXTAP.10-24 SUB= 73800400 ENGINE.PULLEY.FWG HI PRO KEY PM  
SCREW REAR BAFFLE SKIRT.  
REAR.FGD.22 BAFFLE.SIDE PLATE.BACK KIT.DOOR.MUL.CO SCREW DISCHARGE BAFFLE ROPE GUIDE SUB= 7192J LOWER HANDLE  
BOLT.HANDLE.LM HAIRPIN COTTER HUB CAP SCREW HEX FLANGE LOCKNT WHEEL AND TIRE ASSY BOLT SHLD 3/8-16 "WASHER, BELLEVIL.

" ARM.AXLE.ASM.BZP. @@BRACKET.HDL.LH. @@@@BOLT.1/4-20X2.0 HUB CAP NUT.

HXFLG.LOCK. WHEEL.8X2.IGD.

E-RING.7/16.RE. PINION.GEAR DUST SHROUD PM KNOB PM WHEEL.

ADJ.ASM.LH. WHEEL.ADJ.ASM.RH. @@FRAME.CATCHER.2.

5 GRASSBAG.250B1.BL SUB= 157769 DRV SHAFT TUBE PM BUSHING.HEX SUB= 135165 Page 7 of 7 .



[You're reading an excerpt. Click here to read official AYP](#)

[WE4H476A user guide](#)

<http://yourpdfguides.com/dref/440810>