



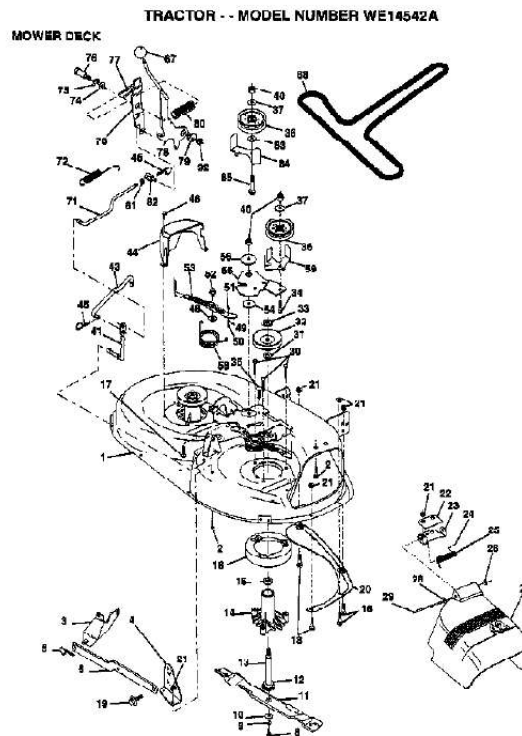
Your PDF Guides

You can read the recommendations in the user guide, the technical guide or the installation guide for AYP UM15H42D. You'll find the answers to all your questions on the AYP UM15H42D in the user manual (information, specifications, safety advice, size, accessories, etc.). Detailed instructions for use are in the User's Guide.

User manual AYP UM15H42D
User guide AYP UM15H42D
Operating instructions AYP UM15H42D
Instructions for use AYP UM15H42D
Instruction manual AYP UM15H42D

UM15H42D (1999 & Before)
ASM, MOWER DECK 42"

Page 1 of 43



[You're reading an excerpt. Click here to read official AYP UM15H42D user guide](http://yourpdfguides.com/dref/440617)
<http://yourpdfguides.com/dref/440617>

Manual abstract:

HX.1/4-20 SUB= 154336 SUB= 146154 NUT ADAPTER AMMETER LOCKWASHER HARNESS.ENG.DUAL Page 5 of 43 UM15H42D (1999 & Before) CHASSIS AND ENCLOSURES Page 6 of 43 UM15H42D (1999 & Before) CHASSIS AND ENCLOSURES Ref# 1 2 3 4 5 6 7 8 9 10 11 12 13 14 15 16 17 18 19 21 22 24 25 26 27 28 29 30 31 33 34 35 38 39 40 41 60 61 100 Part Number 145501 140356 17490612 19131216 146077 145206 126842X 126471X 146757X011 72140608 135464 11030400 124031X012 17490608 74180512 73510500 134369X505 126938X 17411310 122933X 124479X 74780616 19131312 73800600 17030808 140137 124029X 140001X505 139976 145244X505 145243X505 72110606 139886 139887 139977 139978 72140606 19171416 105037X 5479J Qty Description CHASSIS.WLD.11GA SUB= 145009 SCREW WASHER SUB= 155272 SUB= 145206X431 "SHIELD,HEAT HOOD" "CLIP,INSULATOR" DASH.SLKSC.LT.IPC SUB= 72110608 DASH PANEL LH LOCKWASHER GT SUB= 155934X010 SCREW LT SCREW NUT HOOD SUB= 532126938 SUB= 17521312 "RIVET,PLASTIC" SUB= 532124479 BOLT WASHER NUT SUB= 17030814 SUB= 142034 SUB= 124029X599 FENDER PNT LT BRACKET SUPT FEND FOOTREST.LH.

LT/GT FOOTREST.RH.LT/GT BOLT BRACKET ASM LH BRACKET ASM RH SPACER FENDER LT PLATE EXTEN FEND BOLT WASHER FOAM-STRIP LT PLUG BUTTON T Page 7 of 43 UM15H42D (1999 & Before) CHASSIS AND ENCLOSURES Page 8 of 43 UM15H42D (1999 & Before) CHASSIS AND ENCLOSURES Ref# 2 3 4 5 6 8 9 10 11 13 14 15 16 17 18 24 25 26 29 30 31 33 34 35 36 38 39 45 46 Part Number 140356 17490612 19131216 146077 145206 126471X 146757X011 72140608 146956 146961X012 17490608 74180512 73510500 133956X550 126938X 74780616 19131312 73800600 133805 140001X550 136619 145244X550 145243X550 72110606 108067X 139886 139887 132257 127316X 5479J Qty Description SUB= 145009 SCREW WASHER SUB= 155272 SUB= 145206X431 "CLIP,INSULATOR" DASH.SLKSC.LT.

IPC SUB= 72110608 PANEL.DASH.LH. SUB= 155934X010 SCREW LT SCREW NUT HOOD/GRILLE.ASM. SUB= 532126938 BOLT WASHER NUT SUB= 133954 FENDER PNT BRKT FENDER FOOTREST.LH.LT/GT FOOTREST.RH.LT/GT BOLT PAL NUT LT BRACKET ASM LH BRACKET ASM RH SUB= 918132257 RETAINER PLUG BUTTON T Page 9 of 43 UM15H42D (1999 & Before) DECALS Page 10 of 43 UM15H42D (1999 & Before) DECALS Ref# 2 3 4 5 6 7 8 9 10 12 13 14 15 16 17 19 20 Part Number 131864 142308 131265 141173 145498 145437 142309 141801 142310 135013 127075 145005 136832 132628 125690X 140837 145494 138311 142341 148867 148866 LBD48 C42 LC05 LA018 LSB42 Qty Description "PAD,FOOTREST" DECAL HD RH RALLY DECAL LIGHTBOX SUB= 532272753 DECAL.READ.O.MANU DECAL.EURO.ST.

CE. @@@@BOLT BRKT ASM SWAY BAR BRKT DECK SW BAR SUB= 85902 SUB= 130833 BLADE BOLT SUB= 10040600 WASHER.HARD.BLADE "BLADE.42" HIPERF" BEARING.BALL SUB= 137646 HSG ASM MANDREL BEARING STRIPPER RND MWR BOLT RDHD 3/8-16 BOLT BOLT SHD 5/16-18 SUB= 918136888 SUB= 73690500 STIFFENER BRKT DEFLECTOR BRKT CAP-SLEEVE LT SPRING TORSION NUT PUSH M DEFLECTOR.CLIP.TU WASHER HINGE ROD SUB= 157722 WASHER SUB= 153535 SUB= 139729 BOLT XMAS TREE FASTNER FLAT IDLER PULLEY WASHER NLA SUB= 73690600 PIVOT ROD ROD CLUTCH W/NIBS GUARD MAND LH BLK RETAINER M SCREW.1/4-20X5/8 SUB= 60867 HARD SMALL WASHER SUB= 151785 SHOULDER BOLT LOCKNUT BOLT.SHLD.

5/16-18 BRAKE PAD ARM ASM HARDENED WASHER SUB= 151785 SPACER RETAINER SPRING TORSN BRAK GUARD IDLER TUV BOLT.CARRIAG2972 142973 142974 142975 142976 142977 142978 142917 142918 142980 144607 144608 Qty Description HOUSING.L.50074RM HOUSING.UP. 70125 SEAL.9008000-0128 RING.RET.2003016. RING. RET.2003052. BEARING.(50552)42X68X16 CRADLE- 2003023. BEARING.2003044. SWASHPLT.2003087. BLOCK.CLYN.

70079. ARM.TRUN.2003005. SEAL.9008000-0126 GUIDE.2000015. SHAFT.MOTOR.50115 BEARING. THS.50019 BLOCK.CYLIN.70082 SEAL.LIP. 45074 ACTUATOR.2003555 KIT.CENTER.70133 SEAL.LIP. 45075 RING RETAIN 50007 WASHER.44872 ELEMENT.OIL.44964 ARM.BYPASS.50270 RING.RETAIN.44870 ARM.ACTUAT.23710 PIN.

ACTUAT.44891 SUB= 149705 NUT.LOCK.HX.50108 KIT.BRAKE.70135 WASHER HYD 44130 DIFFERENTIA.70130 WASHER.HYD.50152 SEAL. HYDRO.45076 O RING.HYD.45077 SHAFT.INPUT. 50005 BOLT.1/4-20.44876 PIN.HYDRO.50002 ARM. CONTROL.50254 PUCK.DAMPER.50281 SCREW.SET.50018. @@@WASHER.HYD.50132 BEARING.SLV.

50118 SEAL.WIPER.50941 SPRING.2003014. @@@@TUBE Page 43 of 43 .



[You're reading an excerpt. Click here to read official AYP UM15H42D user guide](#)
<http://yourpdfguides.com/dref/440617>