



Your PDF Guides

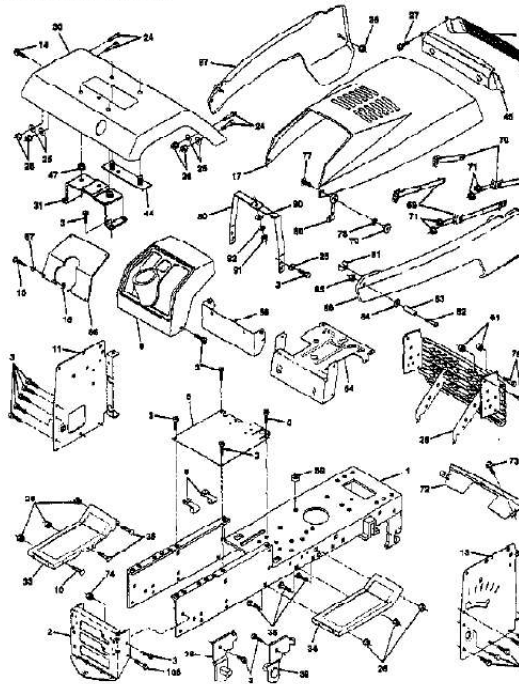
You can read the recommendations in the user guide, the technical guide or the installation guide for AYP TS1844B. You'll find the answers to all your questions on the AYP TS1844B in the user manual (information, specifications, safety advice, size, accessories, etc.). Detailed instructions for use are in the User's Guide.

User manual AYP TS1844B
User guide AYP TS1844B
Operating instructions AYP TS1844B
Instructions for use AYP TS1844B
Instruction manual AYP TS1844B

TS1844B (1995)
CHASSIS AND ENCLOSURES

Page 1 of 26

TRACTOR -- MODEL NUMBER TS1844B CHASSIS AND ENCLOSURES



[You're reading an excerpt. Click here to read official AYP TS1844B user guide](http://yourpdfguides.com/dref/440588)
<http://yourpdfguides.com/dref/440588>

Manual abstract:

ASM.FENDER FOOTREST.LH.LT/GT FOOTREST.RH.LT/GT BOLT PAL NUT LT BRACKET ASM LH BRACKET ASM RH STRAP ASM FENDER SUB= 147717 NUT-PUSH YT DASH.SUPT.YP/HUSQ SUB= 73690400 DASH.EXT.PNT. SUB= 9151R SUB= 150272 PLATE SLKSCR YP WASHER SUB= 155013 SUB= 155013 NUT HXKEP 1/4X20 STRAP.GRILLE.PNT. SCREW CRT SUB= 73690600 SUB= 7605J SCREW LOCKWASHER WELDNUT HOOD LATCH T SUB= 146525 SCREW SPACER LT WASHER NUT PANEL SIDE RH SUB= 150302X505 WASHER PM SUB= 50675 LOCKWASHER Page 2 of 26 TS1844B (1995) CHASSIS AND ENCLOSURES Ref # Part Number 108 74760612 121794X Qty Description SUB= 74780612 COVER ACCESS Page 3 of 26 TS1844B (1995) DECALS Page 4 of 26 TS1844B (1995) DECALS Ref # 1 3 4 5 7 8 9 10 11 12 14 15 Part Number 143109 146812 146811 139346 133796 4900J 146836 140837 143099 138955 121549X 143096 138311 133671 147453 LSB42 LBD48 TR01 TX11 TA321 LA028 Qty Description DECAL.FEND. YT/GT DECAL, HOOD LH DECAL, HOOD RH "DECAL.V.BELT.44"" DECAL DECAL T DECAL, SIDE PANEL DECAL BRAK PARK DECAL.INS. WHL.STG DECAL.DASH.INST. @@WHEEL WTS. @@PRLES. @@@@CLIP T BRACKET MUFFLER SCREW ST SHIELD.HEAT.MUFF. @@BELT-V.

88.12.MW SPRING.EXT.DECK. @@SUB= 85902 SUB= 123096X LINK.FRONT NUT TRUNION NUT.LK.W/WSH.1/2. ARM SUSP REAR RETAINER.SPRING WASHER KLIP RING NUT T WASHER SPRING.COMP.INF.H SUB= 3145 ROD.

ADJ.LIFT NUT KNOB INF 3/8-16 TRUNION LT BEARING PVT LH NUT.CROWNLOCK.3/8 STOP.OVER.

CENTER SUB= 73690600 WASHER GT BOLT SUB= 77394 E-RING WASHER Page 17 of 26 TS1844B (1995) PEERLESS TRANSAXLE Page 18 of 26 TS1844B (1995) PEERLESS TRANSAXLE Ref # Part Number 794513 1 772098A 2 780155 3 770088 4 776291 5 776275 6 778247 7 778253 8 792138 9 784216 10 784342 11 778246 12 778245 13 778198 14 778197 15 778248 16 786027 17 786019 18 786121 18A 786122 20 792077 21 792078 22 792079 24 780071 25 792129 25A 792073 26 792018 27 792018 28 788040 29 780072 30 780108 31 780128 31A 780107 31B 780042 36 790043 37 790007 38 799021 39 786026 40 792076A 41 790047 42 792073 42A 792085A 43 792075 44 790025 45 786067 46 786086 47 774832 48 774831 49 778216A 50 778206A 51 778205A 52 778204A 53 778203A 54 778273 57 778199 58 778200 59 778201 60 778202 Qty Description TRANSAXLE, COMPLETE COVER TRANSAXLE BEARING NEEDLE CASE TRANSAXLE SHAFT COUNTER SHAFT, OUTPUT, 9T GEAR, OUTPUT, 35T GEAR, SPUR, 15T KEY COLLAR SHIFT ROD AND FORK ASSY SHIFT GEAR BEVEL, 33T BEVEL PINION, 13T GEAR BEVEL PINION, 10T GEAR, RING, 31T BLOCK DRIVE PIN DRIVE SPACER, .350/.340 THICK SPACER, .276/.268 THICK BALL STEEL, 5/16" DIA. @@BEARING THRUST WASHER THRUST WASHER "O" RING WASHER CUPPED CARRIER DIFF THREADED HOLES CARRIER DIFF SCREW, 1/4-20 X 2-1/4 WASHER LOCK 1/4 WASHER SLEEVE BEARING NEEDLE BEARING NEEDLE "O" RING SLEEVE STEPPED RING SQ CUT BEARING NEEDLE CAPPED SLEEVE STEPPED BEARING NEEDLE CAPPED SLEEVE STEPPED RING SQ CUT BEARING NEEDLE GASKET ELIMINATOR Page 20 of 26 TS1844B (1995) SEAT Page 21 of 26 TS1844B (1995) SEAT Ref # 1 2 5 7 8 9 10 11 12 13 14 15 16 17 18 21 22 24 25 27 28 Part Number 127429X 140551 145006 124181X 17490508 19131614 140552 120068X 121246X 121248X 72050411 121249X 123740X 123976X 124238X 139888 73680500 19171912 127018X 17490608 73680600 Qty Description SUB= 140121 BRACKET PVT SEAT CLIP.PUSH-IN.HING SPRING COMPRESSIO SCREW LT WASHER SUB= 155925 "KNOB 1/2"" YT" BRKT SWITCH BUSHING SUB= 872050411 SPACER SPLIT SPRING COMPRESSED SUB= 73900400 CAP SPRING BOLT.SHLD.5/16-18 SUB= 73690500 WASHER "BOLT,SHOULDER" SCREW LT SUB= 73690600 Page 22 of 26 TS1844B (1995) STEERING Page 23 of 26 TS1844B (1995) STEERING Ref # 1 2 3 4 5 6 7 8 9 10 11 12 13 14 15 16 17 18 19 20 21 22 23 24 25 27 29 32 33 34 35 36 37 38.



[You're reading an excerpt. Click here to read official AYP TS1844B user guide](http://yourpdfguides.com/dref/440588)
<http://yourpdfguides.com/dref/440588>