



Your PDF Guides

You can read the recommendations in the user guide, the technical guide or the installation guide for AYP TR500K. You'll find the answers to all your questions on the AYP TR500K in the user manual (information, specifications, safety advice, size, accessories, etc.). Detailed instructions for use are in the User's Guide.

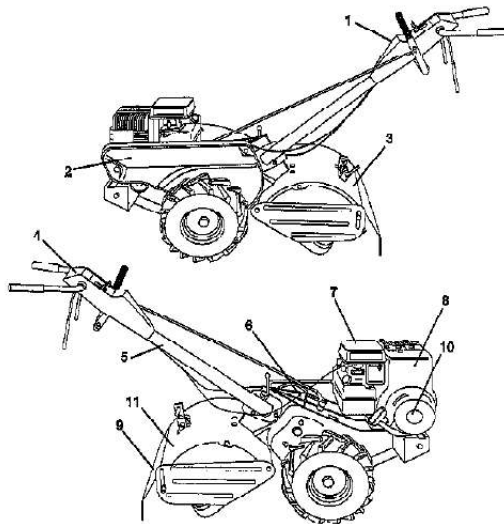
User manual AYP TR500K
User guide AYP TR500K
Operating instructions AYP TR500K
Instructions for use AYP TR500K
Instruction manual AYP TR500K

TR500K (1998)
DECALS

Page 1 of 14

TILLER - - MODEL NO. TR500K

DECALS



[You're reading an excerpt. Click here to read official AYP TR500K user guide](http://yourpdfguides.com/dref/440575)

<http://yourpdfguides.com/dref/440575>

Manual abstract:

*PNL.CONTROL DECAL.LOGO DECAL.SHLD.TINE DECAL.INSTRUCTION DECAL TI DECAL CRT SUB= 121858X DECAL, BRIGGS & STRATTON
DECAL TI DECAL, 5HP DECAL.TINE.SHIELD MANUAL.O.TR500K.*

*E Page 2 of 14 TR500K (1998) HANDLE Page 3 of 14 TR500K (1998) HANDLE Ref# 1 2 3 4 5 6 7 8 9 10 11 12 13 14 15 16 17 18 19 20 21 22 23 24 25 26
27 28 31 Part Number 71191008 126951X 104164X 8206H 81328 109335X 109313X 109337X 72110608 109229X 73930600 19131611 109228X*

*150256X550 10040400 73220400 73731000 159231 9484R 86777 102604X 102744X 159228 127012X 72140404 9266R 73510400 150696 Qty Description
SCREW.PNHD.10-24 "PANEL,CONT TI" TIE CABLE CRT GRIP T CHECK WITH SUPPLIER SHOULDER BOLT ST SHIFT HANDLE CRT GROMMET
CRT SHIFT ROD CRT BOLT D LOCK CRT LOCKNUT WASHER CRT LEVER LOCK CRT SUB= 150256X431 LOCKWASHER SUB= 50675 NUT*

*CABLE.CLUTCH CONDIUT CLIP T SUB= 750097 GRIP BAR CRT SUB= 102744X431 BAR ASM CONTROL "CONT,THROTTLE" BOLT SUB= 624A78
NUT BOLT PIVOT Page 4 of 14 TR500K (1998) MAINFRAME-LEFT SIDE Page 5 of 14 TR500K (1998) MAINFRAME-LEFT SIDE Ref# 1 2 3 4 5 6 7 8 9*

*10 11 12 13 14 15 16 17 19 20 21 22 23 23 23 24 25 26 27 28 29 30 31 32 33 34 35 36 37 38 39 41 42 Part Number 73510500 10040600 73220600 74930568
154734 110111X 72110404 8700J 86777 9484R 10040400 73220400 23230506 120938X 19111116 145102 73220500 12000028 110653X 145216 104214X*

*102190X 150750 795R 126875X 131159X550 132672 104679X 12000032 159229 102384X 102141X 74760616 102383X 74760524 102331X 130816 145822
140062 19111610 69180 Qty Description NUT LOCKWASHER NUT.HEX.*

*3/8-16UNC BOLT TI "SCREW-LEVER,SHI" LEVER ASM CRT BOLT PANEL TI SUB= 750097 CONDIUT CLIP T LOCKWASHER SUB= 50675 SET
SCREW SPACER WASHER SHEAVE.TRANS. @@@@BUSHING TI CHAIN CRT GROUND SHAFT ASSY BEARING.SHAFT.RH.
SPACER TI SPRCKT 8 GEAR CRT SHFT 2ND RED. .*



[You're reading an excerpt. Click here to read official AYP TR500K user guide](#)

<http://yourpdfguides.com/dref/440575>