



Your PDF Guides

You can read the recommendations in the user guide, the technical guide or the installation guide for AYP TMH1450. You'll find the answers to all your questions on the AYP TMH1450 in the user manual (information, specifications, safety advice, size, accessories, etc.). Detailed instructions for use are in the User's Guide.

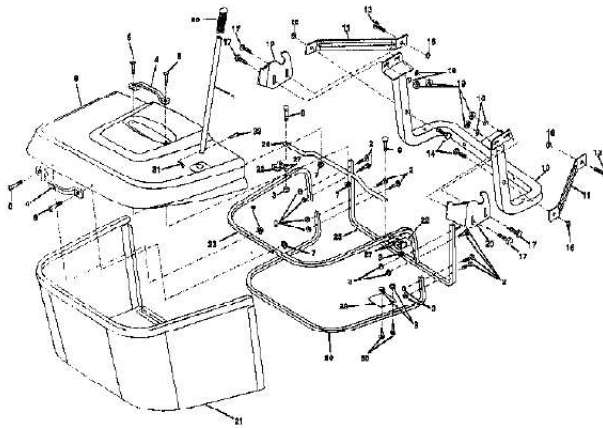
User manual AYP TMH1450
User guide AYP TMH1450
Operating instructions AYP TMH1450
Instructions for use AYP TMH1450
Instruction manual AYP TMH1450

TMH1450 (1999 & Before)
BAGGER

Page 1 of 26

TRACTOR - - MODEL NUMBER TMH1450 (EN145RBA)

BAGGER



[You're reading an excerpt. Click here to read official AYP TMH1450 user guide](http://yourpdfguides.com/dref/440563)
<http://yourpdfguides.com/dref/440563>

Manual abstract:

HEAD" SCREW NUT.WIZ.LOCK COVER BAGGER PLASTIC BOLT CARRIAGE SUPT.ASM.WLDMNT.BAG.CRD BRKT.SUPT.UPPER.BAG.
CRD BRKT.PIVOT.BAG.LH.CRD BOLT BOLT.

HEX.3/8-16X2-1/2 SUB= 83923 BOLT WASHER NUT "BRKT.PIVOT.BAG,RH.CRD" BAG.
ASM.CRD BRKT.SIDE.BAG.CRD TUBE.UPPER.BAG.CRD TUBE.PIVOT.BAG.

CRD TUBE.FT.BAG.CRD TUBE.LOWER.BAG.CRD. GROMMET.EXTRUDED GRIP.HANDLE.
BLACK PLATE.STOP.BAG.HDLE.CRD BOLT.

CARRIAGE RETAINER M RIVET.DRILL.1.75 Page 2 of 26 TMH1450 (1999 & Before) CHASSIS AND ENCLOSURES Page 3 of 26 TMH1450 (1999 & Before)
CHASSIS AND ENCLOSURES Ref # 1 2 3 4 5 6 8 9 10 11 12 13 14 15 16 17 18 24 25 26 28 29 30 31 33 34 35 37 38 39 51 52 53 54 55 57 58 102
140 145 162 163 164 165 167 168 169 170 171 172 173 174 175 176 177 178 179 180 Part Number 165480 165606 17490612 19131216 155272 155923
126471X 147631X011 72140608 155927 145660 155934X010 17490608 74180512 73510500 159639X520 126938X 74780616 19131312 73800600 157373
140273X599 165714X520 165156 145244X520 145243X520 72110606 17490508 139886 139887 73800400 19091416 144697 161464 144696 74780412
150127 2751R 158418 156524 165672 165673 165605 165742X428 165779 72050412 123976X 165607 74520640 19132016 73510600 165939 166212
128600 132796 76020312 165942 74760516 Qty Description CHASSIS.STAMPING DRAWBAR.

CRD SCREW WASHER BUMPER-HOOD/DASH SADDLE "CLIP,INSULATOR" DASH.SILKSCREEN SUB= 72110608 "PANEL-DASH,LH"
CLIP.TINNERMAN SUB= 169117X010 SCREW LT SCREW NUT HOOD.STEEL.ASSY SUB= 532126938 BOLT WASHER NUT GRILLE-MS428
LENS.GRILLE.PRIVATE LABEL FENDER BRKT.SUPT.FENDER.CRD FOOTREST PNT LH FOOTREST.

RH.LT/GT BOLT SCREW LT BRACKET ASM LH BRACKET ASM RH NUT WASHER BRACKET.GRILLE.LH SCREW.HEX.WS.HD BRACKET.GRILLE.RH
SUB= 74780414 AIR DUCT CLIP T BRKT SUSPENSION "ROD POVOT,CHASSIS" BRKT.EXT.
CHASSIS.LH.CRD BRKT.EXT.CHASSIS.

RH.CRD SUPPORT.BATTERY.CRD COVER.BATTERY.

CRD.BLACK.LT SUPT.ASM.BACKPLATE BOLT-RD HD SQ NK SUB= 73900400 COVER.BACKPLATE.BLACK BOLT.HEX.3/8-16X2-1/2 SUB= 19132012
NUT BRKT.SWITCH.

FBI.CRD GRUARD.DOOR.REAR.CRD HINGE PIN SPRING.COVER.LH SUB= 3145 ROD.PIVOT.FBI.CRD SUB= 77394 Page 4 of 26 TMH1450 (1999 & Before)
CHASSIS AND ENCLOSURES Ref # 181 182 183 184 185 186 187 188 189 190 192 193 194 Part Number 73680500 138200 19131316 166139
165940 160793 2029J 19061216 10071000 71161010 17490624 17720410 17060612 5479J Qty Description SUB= 73690500 WASHER.
385X.625 WASHER BRKT.ACTUATOR.BAG.CRD TUBE.

LEVER.SWCH.FBI.CRD LATCH ASSY.BAGGER WELDNUT WASHER #10 LOCKWASHER SCREW SCREW LT SCREW LT SCREW PLUG BUTTON T
Page 5 of 26 TMH1450 (1999 & Before) DECALS Page 6 of 26 TMH1450 (1999 & Before) DECALS Ref # 1 2 3 6 8 9 10 11 12 13 14 15 16 17 19 21 22 Part
Number 145498 165352 168569 126187X 145437 151634 145005 145494 159737 166959 159736 166961 162598 140837 166963 166286 151635 138311
133671 168657 168658 Qty Description DECAL.

READ.O.MANU DECAL.ENGINE DECAL SUB= 532126187 DECAL.EURO.ST.CE. @@@@TUBE Page 26 of 26 .



[You're reading an excerpt. Click here to read official AYP TMH1450 user guide](http://yourpdfguides.com/dref/440563)
<http://yourpdfguides.com/dref/440563>