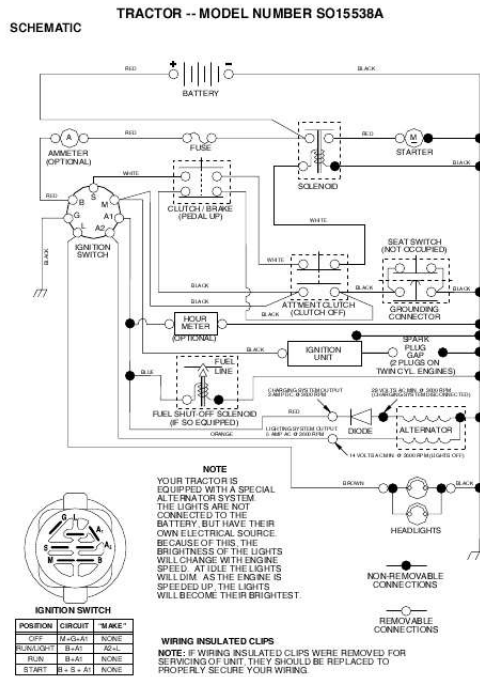




# Your PDF Guides

You can read the recommendations in the user guide, the technical guide or the installation guide for AYP SO15538A RP. You'll find the answers to all your questions on the AYP SO15538A RP in the user manual (information, specifications, safety advice, size, accessories, etc.). Detailed instructions for use are in the User's Guide.

User manual AYP SO15538A RP  
User guide AYP SO15538A RP  
Operating instructions AYP SO15538A RP  
Instructions for use AYP SO15538A RP  
Instruction manual AYP SO15538A RP



[You're reading an excerpt. Click here to read official AYP SO15538A RP user guide](http://yourpdfguides.com/dref/440422)

<http://yourpdfguides.com/dref/440422>

**Manual abstract:**

ENGINES) 28 VOLTS AC MIN. @ 3600 RPM (CHARGING SYSTEM DISCONNECTED) BLACK BLUE FUEL LINE IGNITION UNIT CHARGING SYSTEM OUTPUT 3 AMP DC @ 3600 RPM RED LIGHTING SYSTEM OUTPUT 5 AMP AC @ 3600 RPM FUEL SHUT-OFF SOLENOID (IF SO EQUIPPED) ORANGE DIODE ALTERNATOR 14 VOLTS AC MIN. @ 3600 RPM (LIGHTS OFF) NOTE YOUR TRACTOR IS EQUIPPED WITH A SPECIAL ALTERNATOR SYSTEM. @@@@AT IDLE THE LIGHTS WILL DIM. AS THE ENGINE IS SPEEDED UP, THE LIGHTS WILL BECOME THEIR BRIGHTEST. @NO. 1 2 8 16 21 22 24 25 26 27 28 29 30 33 40 41 42 43 48 52 90 163465 74760412 176689 176138 183759 4152J 4799J 146147 175158 73510400 4207J 121305X 175566 140401 179720 71110408 131563 178861 140844 141940 180449 DESCRIPTION Battery Bolt Hex Hd 1/4-20 unc x 3/4 Box Battery Switch Interlock Harness Asm Light W/4152j Bulb Light #1156 Cable Battery 6 Ga. 11"red Cable Battery Fuse 20 AMP Nut Keps Hex 1/4-20 unc Cable Ground 6 Ga. 12"black Switch Plunger Nc Gray Switch Ign Key Ign Harness Ign Bolt Blk Fin Hex 1/4-20 Cover Terminal Red Solenoid Adapter Ammeter Protection Wire Loop Cover Terminal Battery NOTE: All component dimensions given in U. S. inches 1 inch = 25.4 mm 33 TRACTOR -- MODEL NUMBER SO15538A CHASSIS AND ENCLOSURES 29 212 17 28 30 24 18 39 24 166 26 25 26 31 209 209 9 15 209 25 5 5 208 11 209 8 209 6 26 16 1 13 35 33 209 37 145 37 10 209 2 38 206 205 35 34 26 208 209 38 205 Chassis-Elite\_Basic\_LT\_5 34 TRACTOR -- MODEL NUMBER SO15538A CHASSIS AND ENCLOSURES KEY PART NO. NO. 1 2 5 6 8 9 10 11 13 15 16 17 18 24 25 26 28 29 30 31 33 34 35 37 38 39 145 166 205 206 208 209 212 --174620 176554 155272 174643X013 155138 168347X011 72140608 174996 179174X010 74180512 73510500 183394X417 184921 74780616 19131312 73800600 183826 183824X599 169465X417 136619 179716X417 179717X417 72110606 17490508 175710 174714 156524 171875 17490608 170165 17670608 17000612 183823 5479J DESCRIPTION Chassis Drawbar, Stretch Bumper, Hood/Dash Saddle Silkscreen Clip Retainer Slide-On Dash Bolt, Carriage 3/8-16 x 1 Panel Dash LH Panel Silkscr Dash RH Screw Mach TRHD 5/16-18 unc x 3/4 Nut Keps 5/16-18 unc Hood Bumper Hood Bolt Fin Hex 3/8-16 unc x 1 Gr. 5 Washer 13/32 x 13/16 x 12 Ga. Nut Lock Hex w/Ins 3/8-16 unc Grille/Lens Asm. (Includes #'s 29 and 212) Lens Grille Basic Bar Fender Bracket Fender Repl 109873X Footrest Pnt LH Footrest Pnt RH Bolt Rdhd Sht Sqnk 3/8-16 x 3/4 Screw Thdrol 5/16-18 x 1/2 TYT Bracket Asm. Pivot Mower Bracket Pivot Rod Pivot Chassis/Hood Screw Hwhd Hi-Lo #13-16 x 5/8 Screw Thdrol 3/8-16 x 1/2 Bolt Shoulder 5/16-18 Screw Thdrol 3/8-16 x 1/2 Screw Hex Wsh Thdrol 3/8-16 Insert Lens Reflect Plug Button Blk 359 Dia Choke NOTE: All component dimensions given in U. S. inches 1 inch = 25.4 mm 35 TRACTOR -- MODEL NUMBER SO15538A GROUND DRIVE 57 120 21 8 12 7 10 13 14 112 18 113 16 52 11 30 51 5 18 32 170 6 6 32 263 3 79 263 28 4 6 39 30 52 62 35 26 36 34 24 37 38 41 12 61 56 59 63 212 66 65 64 55 70 116 50 202 150 48 27 49 47 120 151 51 77 25 15 96 26 1 75 2 77 19 36 35 53 74 78 76 29 22 26 27 drive-saddle\_33 36 TRACTOR -- MODEL NUMBER SO15538A GROUND DRIVE KEY PART NO. NO. 1 2 3 4 5 6 7 8 10 11 12 13 14 15 16 18 19 21 22 24 25 26 27 28 29 30 32 34 35 36 37 38 39 41 47 -----146682 123666X 12000028 121520X 17000512 162240 131679 76020416 105701X 19151216 74550412 10040400 74490544 73800500 74780616 73800600 106933X 130804 73350600 106888X 19131316 76020412 175765 71673 174973 74760512 175578 120183X 19211616 1572H 179114 72110622 175556 127783 DESCRIPTION Transaxle Peerless Model 205-544C (Order parts from transaxle manufacturer) Spring Return Brake Pulley Transaxle 18"tires Ring Retainer # 5100-62 Strap Torque 30 Degrees RH Screw 5/16-18 x 3/4 Plate Rod Shift T/a Rod Shifter Blk Pin Cotter 1/8 x 1 Cad Washer Plate Shf 388 Sq Hole Washer 15/32 x 3/4 x 16 Ga. Bolt 1/4-28 unf Gr. 8 w/Patch Washer Lock Hvy Helical 1/4 Bolt Hex Flghd 5/16-18 Gr. 5 Nut 5/16-18 Bolt Fin Hex 3/8-16 unc x 1 Gr. 5 Nut lock Hex w/Ins 3/8-16 Unc Knob Rd 1/2-13 Plstc Thds Blk Rod Brake LT Nut Hex Jam 3/8-16 unc Spring Rod Brake 2 00 Zinc Washer 13/32 x 13/16 x 16 Ga. Pin Cotter 1/8 x 3/4 Cad Rod Brake Parking LT/YT Cap Brake Parking Black Bracket Transmission Bolt Fin Hex 5/16-18 x 3/4 Shaft Asm Pedal Foot Nibbed Bearing Nylon Blk 629 Id Washer 21/32 x 1 x 16 Ga. @@@@Key Woodruff Retainer Spring 1" Washer 9/32 x 3/4 x 10 Ga. @@Keeper, Belt Transaxle Bolt Carr Sh 3/8-16 x 1-3/4 Gr. @@@@Washer 27/32 x 1-1/4 x 16 Ga. @@@@S. @@@@1-800-544-2444 Tecumseh Products 1-800-558-5402 Honda Engines 1-800-426-7701 Kawasaki 1-949-460-5688 TRACTOR -- MODEL NUMBER SO15538A SEAT ASSEMBLY 1 8 9 14 10 8 9 7 5 6 22 21 7 2 24 5 26 16 25 15 23 4 13 17 seat\_it.bolt\_1 12 3 KEY PART NO. NO. 1 2 3 4 5 6 7 8 9 10 12 13 14 175389 140551 71110616 19131610 145006 73800600 124181X 17000616 19131614 182493 121246X 121248X 72050412 DESCRIPTION Seat Bracket Seat Pivot Bolt Hex 3/8 - 16 x 1 Washer 13/32 x 1 x10 Ga. Clip Push-In Hinged Nut Lock Hex w/Ins 3/8 - 16 Spring Seat Cprsn 2 250 Blk Zi Screw 3/8-16 x 1.5 Washer 13/32 x 1 x 14 Ga. Pan Pnt Seat (Blk) Bracket Pnt Mounting Switch Bushing Snap Blk Nyl Bolt Rdhd Sht Nk 1/4 - 20 x 1 -1/2 KEY PART NO. NO. 15 16 17 21 22 23 24 25 26 134300 121250X 123976X 171852 73800500 71110814 19171912 127018X 10040800 DESCRIPTION Spacer Split .28 x .96 Spring Cprsn Nut Lock 1/4 Lge Flg Bolt Shoulder 5/16-18 unc-2A Nut Lock Hex w/Ins 5/16 - 18 Bolt Hex Washer 17/32 x 1-3/16 x 12 Ga. Bolt Shoulder 5/16-18 x . 62 Washer Lock Hvy Hlcl Spr 1/2 NOTE: All component dimensions given in U. S. inches 1 inch = 25.4 mm 41 TRACTOR -- MODEL NUMBER SO15538A DECALS 7 9 15 16 12 2 14 6 8 8 3 1 17 KEY PART NO. NO. 1 2 3 6 7 8 9 12 181249 189117 184769 157146 186193 190432 186198 190539 DESCRIPTION Decal, Clutch/Brake Decal, Replacement Decal, Engine HP Decal, Fender Danger English Decal Ins Str Wh Decal Chassis Decal Fender Decal, Hood RH KEY PART NO. NO. 14 15 16 17 ---190540 145005 156867 136832 138311 190290 190291 DESCRIPTION Decal, Hood LH Decal, Caution, Battery Decal, Oper Decal, V-Belt Sch. Decal, Handle Lft Height Adj. @@@@S. inches 1 inch = 25.4 mm 42 TRACTOR -- MODEL NUMBER SO15538A LIFT ASSEMBLY 7 8 5 13 4 11 12 13 19 13 20 6 3 2 6 5 1 4 15 31 32 20 17 18 20 16 19 31 32 KEY PART NO. NO. 15 16 17 18 19 20 31 32 173288 73350800 175689 73800800 139868 163552 169865 73540600 13 20 15 lift.rh.1piece\_3 KEY PART NO. NO. 1 2 3 4 5 6 7 8 11 12 13 159461 159476 178981 12000002 19211621 120183X 109413X 124526X 139865 139866 4939M DESCRIPTION Wire Asm Inner/Sprg w/plunger Shaft Asm Lift RH Pin.



[You're reading an excerpt. Click here to read official AYP SO15538A RP user guide](http://yourpdfguides.com/dref/440422)  
<http://yourpdfguides.com/dref/440422>