



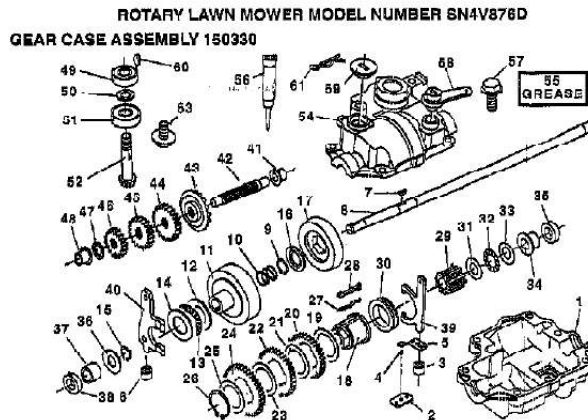
Your PDF Guides

You can read the recommendations in the user guide, the technical guide or the installation guide for AYP SN4V876D. You'll find the answers to all your questions on the AYP SN4V876D in the user manual (information, specifications, safety advice, size, accessories, etc.). Detailed instructions for use are in the User's Guide.

User manual AYP SN4V876D
User guide AYP SN4V876D
Operating instructions AYP SN4V876D
Instructions for use AYP SN4V876D
Instruction manual AYP SN4V876D

SN4V876D (1999 & Before)
GEAR CASE

Page 1 of 8



[You're reading an excerpt. Click here to read official AYP SN4V876D user guide](http://yourpdfguides.com/dref/440416)
<http://yourpdfguides.com/dref/440416>

Manual abstract:

ZONE GROMMET.CABLE.MZR SCREW.HXTAP.10-24 SUB= 7192J KNOB PM BAIL.CNTRL.WGRIP KIT.DOOR.REAR.22 CONTROL.
THL.49.35 BLIND RIVET SCREW SCREW.HX.WSH.
HD. PLATE.BACK.22RWGD BAFFLE.SD.
22RWGD BAFFLE.DISCH.22RD SCREW.1/4-20X.50. PLATE.BAFFLE.QT. @@BRACKET.HDLE.

RH. @@@@.



[You're reading an excerpt. Click here to read official AYP SN4V876D user guide](#)
<http://yourpdfguides.com/dref/440416>