



# Your PDF Guides

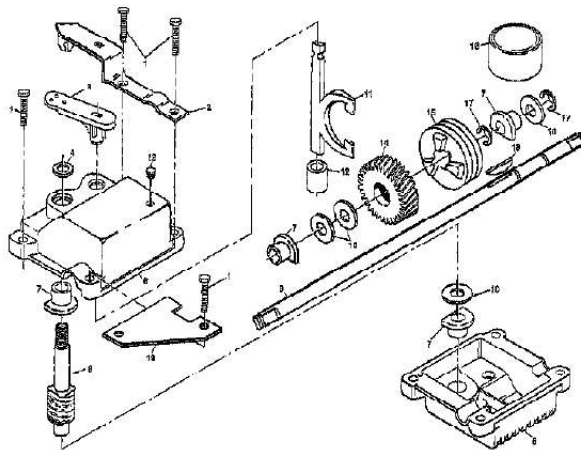
You can read the recommendations in the user guide, the technical guide or the installation guide for AYP SDSP2245D. You'll find the answers to all your questions on the AYP SDSP2245D in the user manual (information, specifications, safety advice, size, accessories, etc.). Detailed instructions for use are in the User's Guide.

**User manual AYP SDSP2245D**  
**User guide AYP SDSP2245D**  
**Operating instructions AYP SDSP2245D**  
**Instructions for use AYP SDSP2245D**  
**Instruction manual AYP SDSP2245D**

SDSP2245D (1998)  
GEAR CASE ASSEMBLY

Page 1 of 7

**POWER PROPELLED LAWN MOWER -- MODEL NO. SDSP2245D**  
**GEAR CASE ASSEMBLY PART NUMBER 702610**



[You're reading an excerpt. Click here to read official AYP SDSP2245D user guide](http://yourpdfguides.com/dref/440396)  
<http://yourpdfguides.com/dref/440396>

*Manual abstract:*

1/4-20 SUB= 137055X004 SHIFTER SEAL KIT GEARCASE HALV BEARING SHAFT.WORM SHAFT.DRIVE.SD THRUST WASHER CLUTCH YOKE BUSHING.GEAR BOX PLUG PM GEAR.HELICAL CLUTCH JAW SUB= 6066J RING T HI PRO KEY SPRING BRKT Page 2 of 7 SDSP2245D (1998) ROTARY LAWN MOWER Page 3 of 7 SDSP2245D (1998) ROTARY LAWN MOWER Ref# 1 2 3 4 5 6 7 8 9 10 11 12 13 14 15 16 17 18 20 21 22 23 24 25 26 27 28 29 30 31 33 35 36 37 38 39 40 41 42 43 44 45 46 47 48 49 51 54 55 56 57 58 59 61 62 64 Part Number 157081X479 132001 63601 131959 146905 66426 144929 700417 150117 130861 135072 51793 136376 140540 750097 151665X479 151667X479 149741 134612 751592 700325X007 146630 87584X004 700331X004 87877 145935X004 62335 142748 148443 83923 77400 74100412 150406 851201X004 63601 132352X479 154034 150119X004 150118 851084 850263 851074 141114 851514 147286 147775 152186 145282 87677 59708 84596 213146 83816 141846 155890 83976X479 145658 Qty Description HANDLE LOWER ROPE GUIDE SUB= 73800400 BOLT.HANDLE.LM BAIL.CONTROL SUB= 7192J SCREW.HXHD. WASH. "CONTROL, THROTTLE" MULCHER PLUG "CABLE,ENG ZONE CO" SUB= 165526 HAIRPIN COTTER KNOB HANDLE SKIRT.REAR.FGD.22 TAPPING SCREW HDLE BRKT ASSY. RH HDLE BRKT ASSY LH SCREW 5/16-18X3/4 SUB= 48283 LOCKNUT PM BRACKET.ADJ.9POS. @@@@HUB CAP NUT.HXFLG. LOCK. BUSHING.HEX WHEEL 8X2 RAD GRN E-RING.7/16.RE. PINION.GEAR DUST SHROUD PM WASHER FLUT KNOB PM SUB= 73800400 SUB= 7192J SCREW.SLOT.TORXT SCREW.SLOT. TORTX. COVER DRIVE BLK LOCKNUT PULLEY.DRIVEN WHEEL.ADJ.ASM.LH. SUB= 48366 SPRING.TENSION SPRING WHEEL.ADJ.ASM. RH. DRV SHAFT TUBE PM DECAL.DRIVE COVER Page 7 of 7.



[You're reading an excerpt. Click here to read official AYP SDSP2245D user guide](http://yourpdfguides.com/dref/440396)  
<http://yourpdfguides.com/dref/440396>