



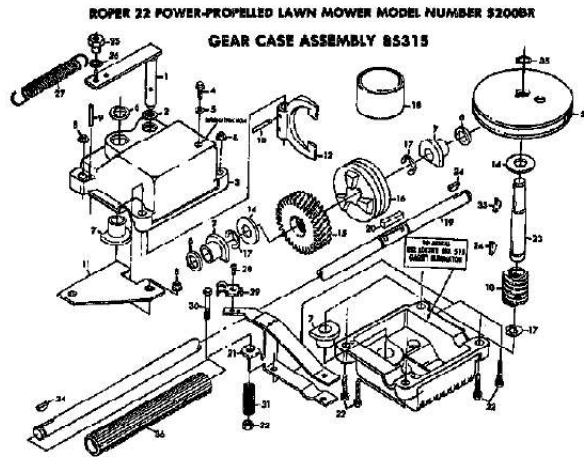
# Your PDF Guides

You can read the recommendations in the user guide, the technical guide or the installation guide for AYP S200BR. You'll find the answers to all your questions on the AYP S200BR in the user manual (information, specifications, safety advice, size, accessories, etc.). Detailed instructions for use are in the User's Guide.

User manual AYP S200BR  
User guide AYP S200BR  
Operating instructions AYP S200BR  
Instructions for use AYP S200BR  
Instruction manual AYP S200BR

S200BR (1999 & Before)  
GEAR CASE 22" POWER PROPELLED

Page 1 of 5



[You're reading an excerpt. Click here to read official AYP S200BR user guide](http://yourpdfguides.com/dref/440371)  
<http://yourpdfguides.com/dref/440371>

