



Your PDF Guides

You can read the recommendations in the user guide, the technical guide or the installation guide for AYP RY710A. You'll find the answers to all your questions on the AYP RY710A in the user manual (information, specifications, safety advice, size, accessories, etc.). Detailed instructions for use are in the User's Guide.

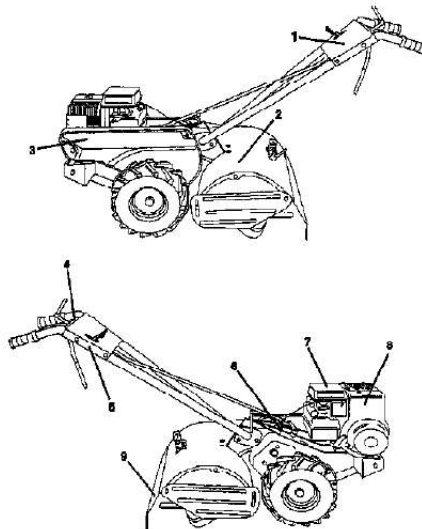
User manual AYP RY710A
User guide AYP RY710A
Operating instructions AYP RY710A
Instructions for use AYP RY710A
Instruction manual AYP RY710A

RY710A (1999 & Before)
DECALS

Page 1 of 14

3.5 HP 14" TILLER - - MODEL NUMBER RY710A

DECALS



[You're reading an excerpt. Click here to read official AYP RY710A user guide](#)

<http://yourpdfguides.com/dref/440335>

Manual abstract:

CLUTCH.CRT CONDIUT CLIP T SUB= 750097 GRIP BAR CRT SHOULDER BOLT ST LOCKWASHER SUB= 50675 HANDLE BAR CRT NLA CAP CRT NUT "CONT.THROTTLE" SUB= 146480 LOCKWASHER SUB= 68478 Page 4 of 14 RY710A (1999 & Before) MAINFRAME, LEFT SIDE Page 5 of 14 RY710A (1999 & Before) MAINFRAME, LEFT SIDE Ref# 1 2 3 4 5 6 7 8 9 10 11 12 13 14 15 16 17 18 19 20 21 22 23 24 25 26 27 28 29 30 31 32 33 34 35 36 37 38 Part Number 73510500 10040600 73220600 74930568 1572H 110111X 72110404 8700J 86777 9484R 10040400 76220400 23230506 120938X 19111116 100473M 73220500 110651X 2649M 110653X 131691 104214X 102190X 124258X 795R 126875X 4497H 131159X505 132672 104679X 12000032 105611X 102384X 102141X 74760616 102383X 74760524 102331X 130816 131558 Qty Description NUT LOCKWASHER NUT.HEX.3/8-16UNC BOLT TI SUB= 2882J LEVER ASM CRT BOLT PANEL TI SUB= 750097 CONDIUT CLIP T LOCKWASHER NUT, HEX SET SCREW SPACER WASHER "SHEAVE 10"" CRT" NUT.HEX.5/16-18 SPACER CRT KEY T GUARD CRT SPLIT SPACER NUT TI TIRE.CHV.13X5.0-6 RIM SUB= 65139 RIVET.DRILL. 1.75 RETAINER M "GUARD, BELT" BELT-V PULLEY-IDLER TI KLIP RING SUB= 918105611X BOLT CRT SHIFT ARM CRT BOLT COUNTERWEIGHT CRT BOLT.HEX.5/16-1.5 BRACKET LH CRT ENGINE SHEAVE BELT GUARD BRKT Page 6 of 14 RY710A (1999 & Before) MAINFRAME, RIGHT SIDE Page 7 of 14 RY710A (1999 & Before) MAINFRAME, RIGHT SIDE Ref# 1 2 3 4 5 6 7 8 9 10 Part Number 73510500 102332X 74760524 102173X 10040600 73220600 4497H 126875X 102190X 124258X 795R Qty Description NUT BRACKET RH CRT BOLT. HEX.5/16-1.5 COUNTERWEIGHT CRT LOCKWASHER NUT.HEX.3/8-16UNC RETAINER M RIVET. DRILL.1.75 TIRE.CHV.13X5.0-6 RIM SUB= 65139 REFER TO IMAGE Page 8 of 14 RY710A (1999 & Before) TINE ASSEMBLY Page 9 of 14 RY710A (1999 & Before) TINE ASSEMBLY Ref# 1 2 3 4 5 6 7 8 9 10 11 Part Number 73610600 10040600 4460J 74610616 132673 3146R 132722 6555J 6554J 132721 4459J Qty Description SUB= 7810H LOCKWASHER SUB= 6555J BOLT PIN.CLEVIS.SHEAR RETAINER.SPRING ASM HUB&PLATE RH "TINE.RH. 12"" "TINE.LH.12"" ASM HUB&PLATE LH SUB= 6554J Page 10 of 14 RY710A (1999 & Before) TINE SHIELD Page 11 of 14 RY710A (1999 & Before) TINE SHIELD Ref# 1 2 3 4 5 6 7 8 9 10 11 12 13 14 15 16 17 18 19 20 21 22 23 24 25 26 27 28 29 Part Number 98000129 104086X505 8393J 12000036 72110508 8394J 8392J 109230X 102152X505 72140506 73220500 10040500 72110510 124343X 104101X505 73220400 10040400 72040410 102701X 73220600 102156X 74930632 4440J 72140404 6712J 109227X 102686X505 120588X 104085X505 Qty Description NUT SHIELD.SD.OUT.LH STAKE PIN TI KLIP RING TI BOLT CRT SPRING TI LATCH BRACKET TI SPRING CRT SHIELD TINE BOLT NUT.HEX.5/16-18 LOCKWASHER BOLT BRKT SHIELD TINE SHIELD.SD.OUT. RH SUB= 50675 LOCKWASHER BOLT GRIP CRT NUT.HEX.3/8-16UNC SUB= 102156X500 BOLT HINGE CRT BOLT VINYL CAP TI PAD IDLER TI SHIELD LEVELING PIN HINGE "SHIELD, SIDE" Page 12 of 14 RY710A (1999 & Before) TRANSMISSION P/N BREAKOUT Page 13 of 14 RY710A (1999 & Before) TRANSMISSION P/N BREAKOUT Ref# 1 2 3 4 5 6 7 8 9 10 11 12 13 14 15 16 17 18 19 20 21 22 23 24 25 26 27 28 29 30 31 32 33 34 35 36 37 38 39 40 41 42 43 44 45 46 47 48 49 50 51 52 Part Number 137555 121147X 106211X 5020J 1370H 102113X 102110X 4895H 102136X 7392M 100371K 106160X 102107X 8353J 12000039 102109X 104159X 4358J 12000040 102114X 102115X 6803J 102111X 10040700 73610700 102128X 102100X 106390X 102134X 109204X 102106X 106388X 102121X 102112X 102101X 137300 4422J 137301 105345X 105346X 8358J 4220R 106146X 9672R 102144X 9676R 9674R 121745X 132688 106147X 17580408 73220500 6066J Qty Description SUB= 155112 SUB= 150698 GASKET TI NEEDLE BRNG LT "T, BEARING" PINION-INPUT CRT SHAFT-INPUT CRT "TI, BEARING" WASHER SEAL CRT SUB= 100482K SPRING-SHIFT CRT O-RING TI ARM ASSY CRT SHIFT FORK TI KLIP RING SHAFT SHIFT CRT SPACER SPLIT CRT WASHER KLIP RING GEAR ASSY CRT GEAR-REV IDLR CRT NEEDLE BEARING TI SHAFT CRT LOCKWASHER NUT.ASF.HEX. 7/16 O RING CRT "CRT, BEARING" BUSHING TI CHAIN CRT SUB= 150737 SUB= 918102106X SPACER TI SPRCKT 8 GEAR CRT SHFT 2ND RED. CRT SCRW WHIZ LOK CRT SPROCKET ASM. @@.



You're reading an excerpt. Click here to read official AYP RY710A user guide

<http://yourpdfguides.com/dref/440335>