



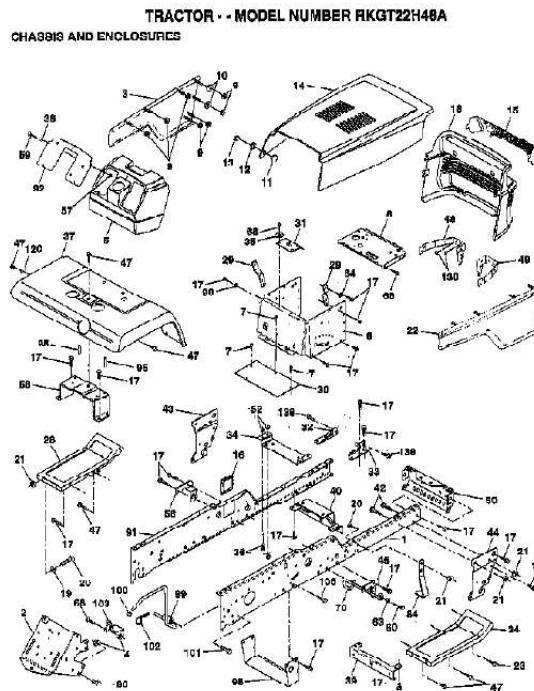
Your PDF Guides

You can read the recommendations in the user guide, the technical guide or the installation guide for AYP RKG22H46A. You'll find the answers to all your questions on the AYP RKG22H46A in the user manual (information, specifications, safety advice, size, accessories, etc.). Detailed instructions for use are in the User's Guide.

User manual AYP RKG22H46A
User guide AYP RKG22H46A
Operating instructions AYP RKG22H46A
Instructions for use AYP RKG22H46A
Instruction manual AYP RKG22H46A

RKG22H46A (1999)
CHASSIS/ENCLOSURES

Page 1 of 25



[You're reading an excerpt. Click here to read official AYP RKG22H46A user guide](http://yourpdfguides.com/dref/440274)
<http://yourpdfguides.com/dref/440274>

