



Your PDF Guides

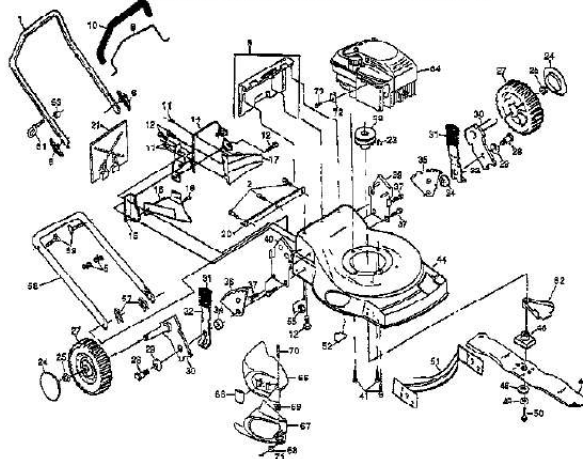
You can read the recommendations in the user guide, the technical guide or the installation guide for AYP REOX582TE. You'll find the answers to all your questions on the AYP REOX582TE in the user manual (information, specifications, safety advice, size, accessories, etc.). Detailed instructions for use are in the User's Guide.

User manual AYP REOX582TE
User guide AYP REOX582TE
Operating instructions AYP REOX582TE
Instructions for use AYP REOX582TE
Instruction manual AYP REOX582TE

REOX582TE (1999 & Before)
ROTARY LAWN MOWER

Page 1 of 9

ROTARY LAWN MOWER MODEL NUMBER REOX582TE



[You're reading an excerpt. Click here to read official AYP REOX582TE user guide](http://yourpdfguides.com/dref/440229)
<http://yourpdfguides.com/dref/440229>

Manual abstract:

UP.DLX.CON SCREW.1/4-20.38 SUB= 7192J KNOB HANDLE BAIL.CNTRL.DLX. KIT.DOOR.RR.
22.PL SUB= 164265 BLIND RIVET SCREW PLATE BK 22 VE ES BAFFLE.SIDE DISCHARGE BAFFLE BAFFLE.HSG.RER.
22 SCREW.HXTAP.10-24 GUARD.FOOT.REAR.
@@@@@SUB= 157769 SPRING.RETAINER. NUT.HXFLG.LOCK. HUB CAP BUSHING.HEX WHEEL.8X2.LP.PR E-RING.

7/16.RE. @@SCREW.HXHD.10-20 DRIVE COVER LOCKNUT PULLEY.DRIVEN KIT WHEEL ADJ LH SUB= 48367 SPRING.TENSION SPRING "KIT
WHEEL ADJ,RH" "FRAME,CATCHER" GRASSBAG.250A1.BL DRV SHAFT TUBE PM LOCKNUT NLA NLA DECAL.DRV.
TUV.HDL DECAL.MZR.TUV.HDL Page 5 of 9 REOX582TE (1999 & Before) ROTARY LAWN MOWER Page 6 of 9 REOX582TE (1999 & Before) ROTARY
LAWN MOWER Ref # 1 2 3 4 6 7 8 9 10 11 12 13 14 15 16 17 18 19 Part Number 17490416 137055X004 137053 57072 48373 77881 137051 137074 57079
131484 700343 86447 137050 750436X 750369 12000003 850848 81585X004 Qty Description SCREW.
1/4-20 BRACKET.GEARCASE SHIFTER SEAL KIT GEARCASE HALV BEARING SHAFT.WORM SHAFT.DRIVE THRUST WASHER CLUTCH YOKE
BUSHING.GEAR BOX PLUG PM GEAR.
HELICAL CLUTCH JAW SUB= 6066J RING T HI PRO KEY SPRING BRKT Page 7 of 9 REOX582TE (1999 & Before) ROTARY LAWN MOWER Page 8 of
9 REOX582TE (1999 & Before) ROTARY LAWN MOWER Ref # 1 2 3 4 5 6 7 8 Part Number 86334X479 86337X479 750909 750097 86353 130024 86649
134861 Qty Description BRACKET.BATTERY COVER.BATTERY SUB= 48374 TAPPING SCREW CONNECTOR PM "CHARGER, BATTERY" "PAD PM,
BATTERY" "WRAP, BATTERY" Page 9 of 9 .



[You're reading an excerpt. Click here to read official AYP
REOX582TE user guide
http://yourpdfguides.com/dref/440229](http://yourpdfguides.com/dref/440229)