



Your PDF Guides

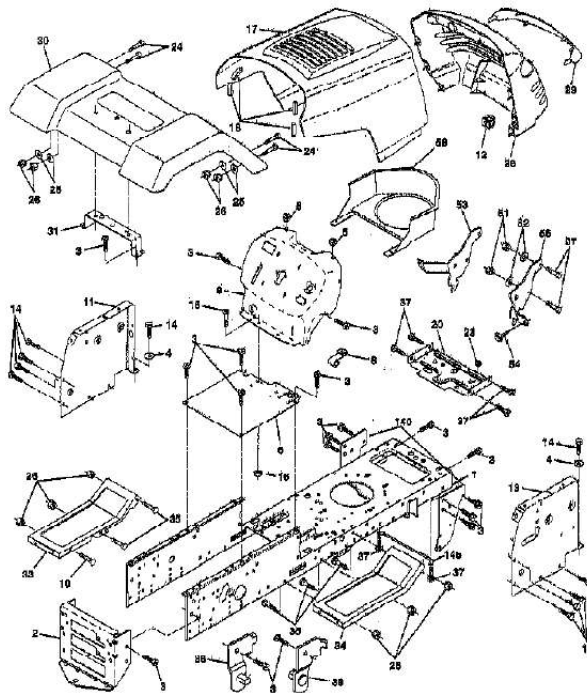
You can read the recommendations in the user guide, the technical guide or the installation guide for AYP RE145H42F. You'll find the answers to all your questions on the AYP RE145H42F in the user manual (information, specifications, safety advice, size, accessories, etc.). Detailed instructions for use are in the User's Guide.

User manual AYP RE145H42F
User guide AYP RE145H42F
Operating instructions AYP RE145H42F
Instructions for use AYP RE145H42F
Instruction manual AYP RE145H42F

RE145H42F (1999 & Before)
CHASSIS AND ENCLOSURES

Page 1 of 24

TRACTOR -- MODEL NUMBER RE145H42F CHASSIS AND ENCLOSURES



[You're reading an excerpt. Click here to read official AYP RE145H42F user guide](http://yourpdfguides.com/dref/440165)
<http://yourpdfguides.com/dref/440165>

Manual abstract:

DANGER.CUTF SUB= 532126187 "DECAL,STR WHL" DECAL.BATRY.3-3908 "DECAL-SCHEM,BELT" NLA DECAL-BRAKE/CLUTC DECAL BRAK
PARK DECAL HANDLE LIFT DECAL BY PASS LT HYDRO MANUAL (EURO) MANUAL (SCAN) MANUAL, REPAIR PARTS Page 4 of 24 RE145H42F
(1999 & Before) DRIVE Page 5 of 24 RE145H42F (1999 & Before) DRIVE Ref# 1 2 3 8 10 14 16 18 19 21 22 24 25 26 27 28 29 30 32 34 35 36 37 38 39 40
41 42 47 48 49 50 51 52 53 55 56 57 59 61 62 63 64 65 66 69 70 71 72 73 74 75 76 77 78 81 82 83 Part Number SUPPLIER 142431 144698 165619
76020416 10040400 73800500 74780616 73800600 106933X 145627 73350600 106888X 19131316 76020412 145204 71673 130807 74760512 155071
120183X 19211616 1572H 131494 74760644 4470J 165838 19131312 127783 154407 123205X 74760624 73680600 73680500 105710X 105709X 74760620
141416 140312 17060612 8883R 140186 164975 10040700 154778 142432 134683 141417 19132012 141418 121199X 121749X 12000001 123583X
121748X 165595 123782X 19171216 Qty Description CHECK WITH SUPPLIER SPRING RET BRAKE PULLEY.4.20.HYDRO ROD.SHIFT.FENDER.ADJ.
LT.CRD PIN COTTER 1/8 LOCKWASHER NUT BOLT NUT KNOB T (1/2-HOLE) ROD.BRAKE.HYDRO. NUT SPRING ROD LT WASHER COTTER PIN
ROD.
BRAKE.PARK.LT PLUNGER CAP T TRANSAXLE MTG BKT BOLT SHAFT ASM-PEDAL F NYLON BEARING WASHER LT SUB= 2882J FLAT IDLER
PULLEY BOLT SPACER T "KEEPER,BELT.IDLER FLAT" WASHER SUB= 139245 BELLCRANK.CLUTCH RETAIN BELT SUB= 74930624 SUB=
73690600 SUB= 73690500 "LINK, CLUTCH T" "SPRING, RETURN LT" SUB= 74780620 BELT-V.
HYDR.84.61 KEEPER BELT CNTSP SCREW PEDAL COVER T PULLEY.ENGINE BOLT.HEX.7/16-20X4.GR.5 LOCKWASHER KEEPER-BELT SCREW
HEXWSH H-L KEEPER BELT ENG STRAP.TORQ.LH.

HYD WASHER STRAP.TORQ.RH.HYD SPACER SPLIT WASHER E-RING LT SQUARE KEY WASHER SHAFT ASM.CROSS "SPRING,TORSION" WASHER
Page 6 of 24 RE145H42F (1999 & Before) DRIVE Ref# 84 89 93 94 95 96 97 98 103 104 105 108 109 116 145 146 147 150 151 156 157 158 159 160 161
162 163 164 165 166 168 169 171 Part Number 165816 164893X428 142564 140462 167696 4497H 144201 73510600 73940800 141421 71070516
17541026 145098 72110610 74490540 74490536 74490524 165850 19133210 166002 153236 165589 165494 19292016 72140406 73680400 74780416
19091010 165623 166880 165492 165581 17490608 Qty Description LINK.TRANSAXLE.HYDR CONSOLE.SHIFT.LT "LINE FUEL HYD 4"" "FAN 7""
HYDRO" CONTROL.ASM.

BYPASS.HYDRO.99 RETAINER M KEEPER.BELT.RH.

HY NUT SUB= 73360800 ARM.CONTROL.PUMP SCREW CAP 5/16-18 SCREW.HXHD.10-20 ADAPTOR.

FAN.HYDRO BOLT RDHD 3/8-16 BOLT.HEX.FLGHD BOLT.HEX.FLGHD. @@@@ @@@@SRTG. BEAR. @@TUBE Page 24 of 24 .



[You're reading an excerpt. Click here to read official AYP](#)

[RE145H42F user guide](#)

<http://yourpdfguides.com/dref/440165>