



# Your PDF Guides

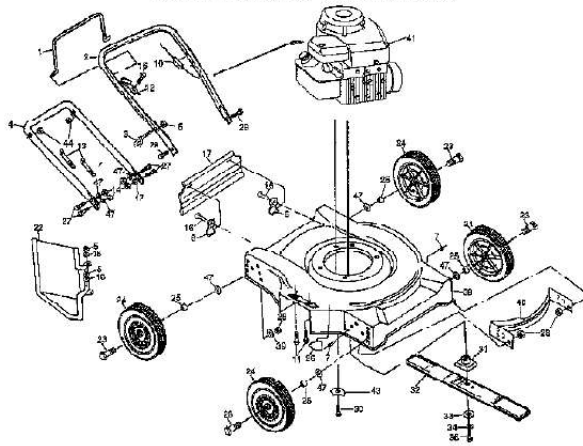
You can read the recommendations in the user guide, the technical guide or the installation guide for AYP R2035G. You'll find the answers to all your questions on the AYP R2035G in the user manual (information, specifications, safety advice, size, accessories, etc.). Detailed instructions for use are in the User's Guide.

**User manual AYP R2035G**  
**User guide AYP R2035G**  
**Operating instructions AYP R2035G**  
**Instructions for use AYP R2035G**  
**Instruction manual AYP R2035G**

R2035G (1998)  
ROTARY LAWN MOWER

Page 1 of 2

ROTARY LAWN MOWER – MODEL NO. R2035G



[You're reading an excerpt. Click here to read official AYP R2035G user guide](http://yourpdfguides.com/dref/440024)  
<http://yourpdfguides.com/dref/440024>

