



Your PDF Guides

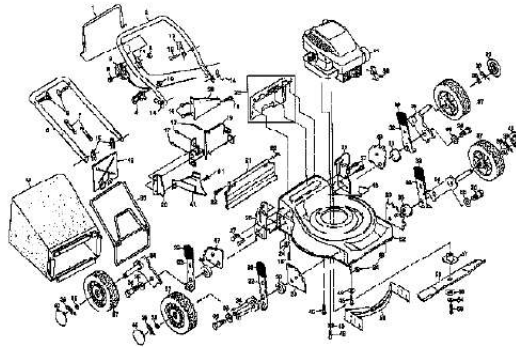
You can read the recommendations in the user guide, the technical guide or the installation guide for AYP R2035E. You'll find the answers to all your questions on the AYP R2035E in the user manual (information, specifications, safety advice, size, accessories, etc.). Detailed instructions for use are in the User's Guide.

User manual AYP R2035E
User guide AYP R2035E
Operating instructions AYP R2035E
Instructions for use AYP R2035E
Instruction manual AYP R2035E

4M372B (1995)
REAR BAGGER ROTARY LAWN MOWER

Page 1 of 3

REAR BAGGER ROTARY LAWN MOWER -- MODEL NO. 4M372B



[You're reading an excerpt. Click here to read official AYP R2035E user guide](http://yourpdfguides.com/dref/440022)
<http://yourpdfguides.com/dref/440022>

