



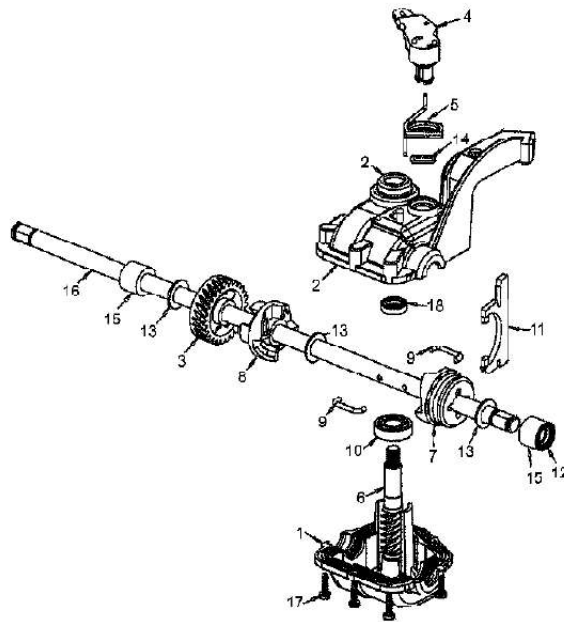
# Your PDF Guides

You can read the recommendations in the user guide, the technical guide or the installation guide for AYP PR7Y21CHB. You'll find the answers to all your questions on the AYP PR7Y21CHB in the user manual (information, specifications, safety advice, size, accessories, etc.). Detailed instructions for use are in the User's Guide.

**User manual AYP PR7Y21CHB**  
**User guide AYP PR7Y21CHB**  
**Operating instructions AYP PR7Y21CHB**  
**Instructions for use AYP PR7Y21CHB**  
**Instruction manual AYP PR7Y21CHB**

PR7Y21CHB (2004)  
Gearcase Assembly 180184

Page 1 of 7



[You're reading an excerpt. Click here to read official AYP PR7Y21CHB user guide](http://yourpdfguides.com/dref/439922)  
<http://yourpdfguides.com/dref/439922>

