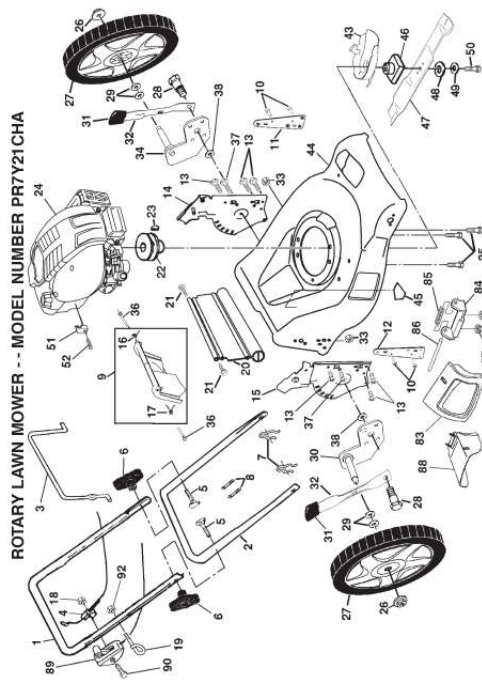




Your PDF Guides

You can read the recommendations in the user guide, the technical guide or the installation guide for AYP PR7Y21CHA. You'll find the answers to all your questions on the AYP PR7Y21CHA in the user manual (information, specifications, safety advice, size, accessories, etc.). Detailed instructions for use are in the User's Guide.

User manual AYP PR7Y21CHA
User guide AYP PR7Y21CHA
Operating instructions AYP PR7Y21CHA
Instructions for use AYP PR7Y21CHA
Instruction manual AYP PR7Y21CHA



2



[You're reading an excerpt. Click here to read official AYP PR7Y21CHA user guide](http://yourpdfguides.com/dref/439921)
<http://yourpdfguides.com/dref/439921>

Manual abstract:

DESCRIPTION PART NO. KEY NO. PART NO. DESCRIPTION 3 1 2 3 4 5 6 7 8 9 10 11 12 13 14 15 16 17 18 19 20 21 22 23 24 166860X479 151721X479
146771 133107 131959 136376 51793 66426 180479 128415 175069X479 175070X479 17060410 175576X479 175577X479 180071 180072 132004 179585
178398 88652 184941 187723 --- 25 26 27 28 29 30 150406 83923 181383 160828 57143 180411X004 Upper Handle Lower Handle Control Bar Engine
Zone Control Cable Handle Bolt Handle Knob Hairpin Cotter Wire Tie Rear Door Kit (Includes Key Numbers 16 and 17) Pop Rivet Support Bracket, LH
Support Bracket, RH Screw 1/4-20 x 5/8 Handle Bracket Assembly, LH Handle Bracket Assembly, RH Spring, LH Spring, RH Keys Locknut 1/4-20 Rope
Guide Rear Skirt Hinge Screw 1/4-20 x 1-1/4 Engine Pulley Hi-Pro Key Engine, Briggs & Stratton, Model Number 12H602 (For engine service and
replacement parts, call Briggs & Stratton at 1-800-233-3723) Hex Head Thread Rolling Screw 3/8-16 x 1-1/8 Hex Flange Nut Wheel Shoulder Bolt 5/16-18 x
.33 Wave Washer Axle Arm Assembly, RR 31 32 33 34 36 37 38 43 44 45 46 47 48 49 50 51 52 83 84 85 86 87 88 89 90 92 ----- 175478 175053X004
73800500 180412X004 184193 150078 183901 175083 176710 107339X 184590 189028 851074 850263 851084 111190X 83816 175066 175735 175285
175650 73800400 175071 174221 183365 132004 162300 172787 172788 188993 Selector Knob Selector Spring Nut, Hex 5/16-18 Axle Arm Assembly, LR
Bolt Thread Cutting Screw w/Sems 5/16-18 x 3/4 Washer Bottom Belt Cover Kit, Housing (Includes Key Numbers 10, 11, 12 and 45) Danger Decal Blade
Adapter Blade, 21" Hardened Washer Helical Washer 3/8-24 x 1-3/8 Grade 8 Hex Head Machine Screw 3/8-24 x 1-3/8 Grade 8 Clamp, Cable Screw, Cable
Clamp Mulcher Door Hinge Bracket Assembly Spring Rod, Hinge Nut, Hex Clipping Deflector Throttle Control Screw Nut, Hex Warning Decal (Not Shown)
Operator's Manual, English Operator's Manual, French Repair Parts Manual, English / French NOTE: All component dimensions given in U.S. inches.
@@@inches. @@NO. .



[You're reading an excerpt. Click here to read official AYP
PR7Y21CHA user guide
<http://yourpdfguides.com/dref/439921>](#)