



# Your PDF Guides

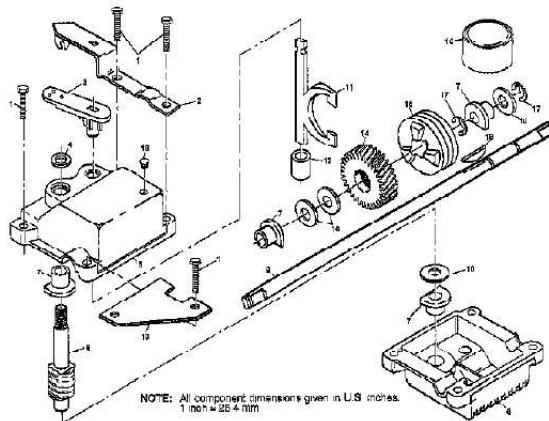
You can read the recommendations in the user guide, the technical guide or the installation guide for AYP HWSP2525C. You'll find the answers to all your questions on the AYP HWSP2525C in the user manual (information, specifications, safety advice, size, accessories, etc.). Detailed instructions for use are in the User's Guide.

User manual AYP HWSP2525C  
User guide AYP HWSP2525C  
Operating instructions AYP HWSP2525C  
Instructions for use AYP HWSP2525C  
Instruction manual AYP HWSP2525C

HWSP2525C (1995)  
GEAR CASE ASSEMBLY

Page 1 of 7

POWER PROPELLED LAWN MOWER -- MODEL NO. HWSP2525C  
GEAR CASE ASSEMBLY PART NUMBER 702511



[You're reading an excerpt. Click here to read official AYP HWSP2525C user guide](http://yourpdfguides.com/dref/439158)  
<http://yourpdfguides.com/dref/439158>

*Manual abstract:*

1/4-20 BRACKET.GEARCASE SHIFTER SEAL KIT GEARCASE HALV BEARING SHAFT.WORM SHAFT.DRIVE THRUST WASHER CLUTCH YOKE  
BUSHING.GEAR BOX PLUG PM GEAR.HELICAL CLUTCH JAW SUB= 6066J RING T HI PRO KEY SPRING BRKT Page 2 of 7 HWSP2525C (1995)  
ROTARY LAWN MOWER Page 3 of 7 HWSP2525C (1995) ROTARY LAWN MOWER Ref# 1 2 3 4 5 6 7 8 9 10 11 12 13 14 15 16 17 18 19 20 21 22 23 24 25  
26 27 28 29 30 31 32 33 34 35 37 38 39 40 41 42 43 44 46 47 48 49 50 51 52 53 55 56 57 58 59 60 61 Part Number 145640X479 130861 144929 73510400  
66426 136376 63601 147049 147615 83816 86344 54583 213146 700360X479 700365X479 133190X479 133040X479 850724 145281 140540 700417  
84596 87677 128415 147775 57143 700735 142748 61651 851119X004 87877 700331X004 145285 84920 700325X007 55187 88348 701923X479  
701921X479 850998 750097 87930 147694 851514 141114 851074 850263 851084 132255X479 141846 74760612 751592 88652 51793 132813X479  
131959 851201X004 132001 Qty Description HANDLE.UP.DLX.CON SUBS/1 "CABLE,ENG ZONE CO" SCREW.HXHD.  
WASH. NUT SUB= 7192J KNOB HANDLE SUB= 73800400 BAIL.CNTRL.DELUXE KIT.DOOR.  
RR.22.PL SCREW PM SCREW PM SCREW CABLE CLAMP PLATE.BACK BAFFLE.SIDE DISCHARGE BAFFLE REAR BAFFLE SUB= 155890 DOOR.  
MULCH.COMBI SKIRT.REAR.FGD.22 "CONTROL, THROTTLE" ENGINE.PULLEY.FWG HI PRO KEY PM BLIND RIVET BRACKET.HINGE.WF WAVE  
WASHER ASM WHL & TIRE BOLT SHLD 3/8-16 WASHER AXLE ARM ASSY R KNOB PM SPRING SELECTOR GUARD.DISCH.  
CLIPO SUB= 146630 BRACKET.ADJ.9POS. @@@@@SUB= 157769 BOLT.1/4-20X2.0 NUT.HXFLG.LOCK. HUB CAP BUSHING.ROUND WHEEL  
8X2 RAD GRN E-RING.  
7/16.RE. .



[You're reading an excerpt. Click here to read official AYP  
HWSP2525C user guide  
<http://yourpdfguides.com/dref/439158>](#)