



# Your PDF Guides

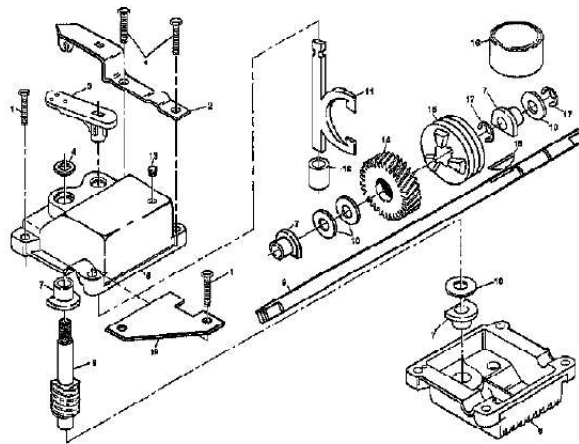
You can read the recommendations in the user guide, the technical guide or the installation guide for AYP HWRB2255C. You'll find the answers to all your questions on the AYP HWRB2255C in the user manual (information, specifications, safety advice, size, accessories, etc.). Detailed instructions for use are in the User's Guide.

**User manual AYP HWRB2255C**  
**User guide AYP HWRB2255C**  
**Operating instructions AYP HWRB2255C**  
**Instructions for use AYP HWRB2255C**  
**Instruction manual AYP HWRB2255C**

HWRB2255C (1997)  
GEAR CASE ASSEMBLY

Page 1 of 7

**POWER PROPELLED LAWN MOWER -- MODEL NO. HWRB2255C**  
**GEAR CASE ASSEMBLY PART NUMBER 702611**



[You're reading an excerpt. Click here to read official AYP HWRB2255C user guide](http://yourpdfguides.com/dref/439150)  
<http://yourpdfguides.com/dref/439150>

**Manual abstract:**

1/4-20 BRACKET.GEARCASE SHIFTER SEAL KIT GEARCASE HALV BEARING SHAFT.WORM SHAFT.DRIVE THRUST WASHER CLUTCH YOKE  
BUSHING.GEAR BOX PLUG PM GEAR.HELICAL CLUTCH JAW SUB= 6066J RING T HI PRO KEY SPRING BRKT SUB= 48367 Page 2 of 7  
HWRB2255C (1997) ROTARY LAWN MOWER Page 3 of 7 HWRB2255C (1997) ROTARY LAWN MOWER Ref# 1 2 3 5 6 7 8 9 10 11 12 13 14 15 16 17 18  
19 20 21 22 23 24 25 26 27 28 29 30 31 32 33 34 35 37 38 39 40 41 44 46 47 48 49 50 51 52 53 55 56 57 58 59 60 61 62 64 65 Part Number 145640X479  
130861 144929 151517 136376 63601 147049 147615 83816 150050 54583 213146 700360X479 700365X479 133190X479 133040X479 850724 145281  
140540 700417 84596 87677 128415 147775 57143 700735 142748 61651 851119X004 87877 700331X004 145285 146630 700325X007 150078 88348  
701923X479 701921X479 150406 148183 851514 141114 851074 850263 851084 132255X479 141846 74760612 751592 88652 51793 151721X479 131959  
851201X004 132001 134612 129802 83923 Qty Description HANDLE.UP.DLX.CON SUBS/1 "CABLE,ENG ZONE CO" SCREW.HXHD.  
WASH. SUB= 7192J KNOB HANDLE SUB= 73800400 BAIL.CNTRL.DELUXE KIT.DOOR.  
RR.22.PL SCREW PM SCREW.HXTAP.10-24 SCREW CABLE CLAMP PLATE.  
BACK BAFFLE.SIDE DISCHARGE BAFFLE REAR BAFFLE SUB= 155890 DOOR.MULCH.COMBI SKIRT.REAR.FGD.22 "CONTROL, THROTTLE"  
ENGINE.PULLEY.FWG HI PRO KEY PM BLIND RIVET BRACKET.HINGE.  
  
W/F WAVE WASHER ASM WHL & TIRE BOLT SHLD 3/8-16 WASHER AXLE ARM ASSY R KNOB PM SPRING SELECTOR GUARD.DISCH.CLIPO  
SPACER.HEIGHT.ADJ BRACKET.ADJ.9POS. @@RH WHL BRKT SUPT LH SPACER MULCHER PLATE SCREW.HX.WSHD.  
ROD.HINGE.COMBI-C SPRING.HINGE MANUAL.GEN.  
SP.E. @@SUB= 157769 SPRING.RETAINER. NUT.  
HXFLG.LOCK. HUB CAP BUSHING.HEX WHEEL 8X2 RAD GRN E-RING.7/16.RE. @@@@SUB= 48367 SPRING.TENSION SUB= 73800400 SPRING  
WHEEL.ADJ.ASM.  
  
LH. "FRAME,CATCHER" GRASS CATCHER DRV SHAFT TUBE PM "TOP,CATCHER" "TUBE,CATCHER" SCREW SCREW DECAL.DRIVE COVER Page  
7 of 7.



[You're reading an excerpt. Click here to read official AYP  
HWRB2255C user guide  
http://yourpdfguides.com/dref/439150](http://yourpdfguides.com/dref/439150)